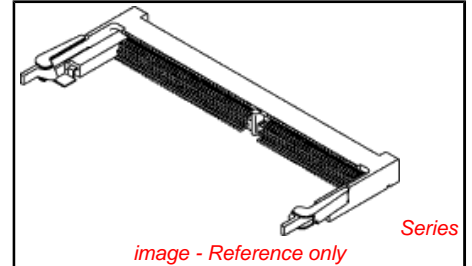


PLEASE CHECK WWW.MOLEX.COM FOR LATEST PART INFORMATION

Part Number: [0546987003](#)
Status: **Active**
Description: 0.80mm (.031") Pitch S.O. DIMM Socket, Right Angle, Surface Mount, 5.20mm (.205") Mounted Height, 144 Circuits, 3.3V Power Supply, Hard Tray Packaging, Height 11.00mm (.433") Type, Lead-free

Documents:

[3D Model](#) [Product Specification PS-54698-003 \(PDF\)](#)
[Drawing \(PDF\)](#) [RoHS Certificate of Compliance \(PDF\)](#)



General

Product Family	Memory Module Sockets
Series	54698
Comments	3.3V Power Supply
Component Type	Memory Module
JEDEC Outline	N/A
Product Name	S.O. DIMM

Physical

Circuits (Loaded)	144
Color - Resin	Natural
Durability (mating cycles max)	30
Entry Angle	90° Angle (Side Entry)
Keying to Mating Part	Yes
Material - Metal	Brass, Phosphor Bronze
Material - Plating Mating	Gold
Material - Plating Termination	Tin
Material - Resin	High Temperature Thermoplastic
PCB Retention	Yes
PCB Thickness Recommended (in)	0.045 In
PCB Thickness Recommended (mm)	1.20 mm
Packaging Type	Tray
Pitch - Mating Interface (in)	0.031 In
Pitch - Mating Interface (mm)	0.80 mm
Plating min: Mating (µin)	10
Plating min: Mating (µm)	0.25
Plating min: Termination (µin)	40
Plating min: Termination (µm)	1
Temperature Range - Operating	-55°C to +85°C
Termination Interface: Style	Surface Mount

Electrical

Current - Maximum per Contact	0.3A
Voltage - Maximum	100V
Voltage Key	3.3V

Material Info

Reference - Drawing Numbers

Product Specification	PS-54698-003
Sales Drawing	SD-54698-004, SD-54698-005

<p>EU RoHS ELV and RoHS Compliant REACH SVHC Contains SVHC: No Halogen-Free Status Not Reviewed</p>	<p>China RoHS</p> 
--	--

Need more information on product environmental compliance?

Email productcompliance@molex.com
 For a multiple part number RoHS Certificate of Compliance, [click here](#)

Please visit the [Contact Us](#) section for any non-product compliance questions.

Search Parts in this Series

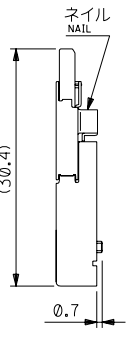
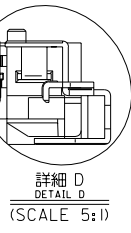
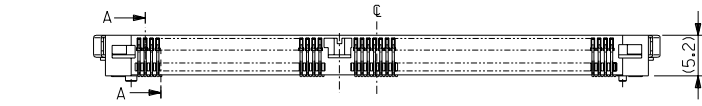
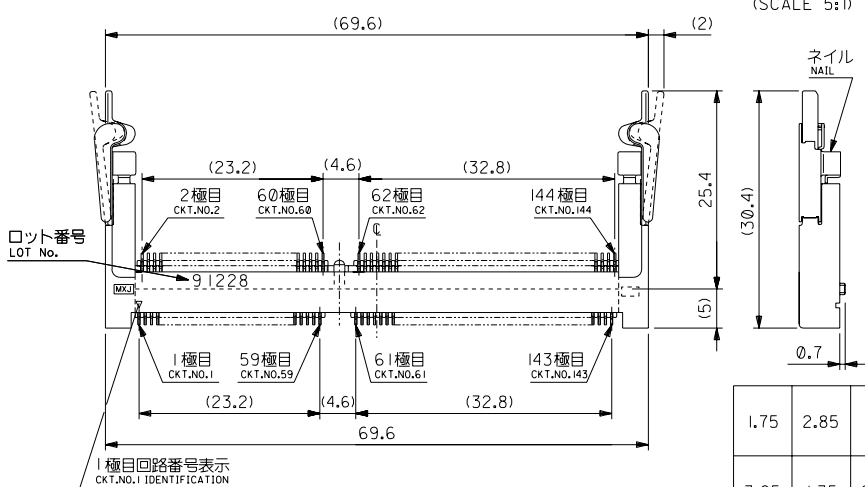
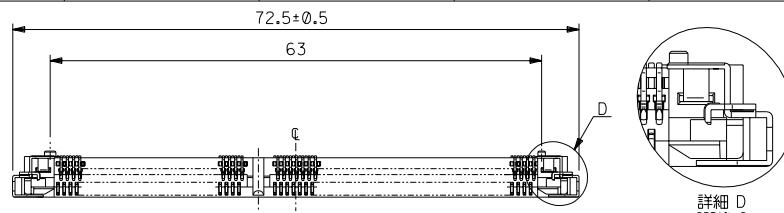
[54698Series](#)

Mates With

JEDEC Standard DRAM and SDRAM modules

PLEASE CHECK WWW.MOLEX.COM FOR LATEST PART INFORMATION

DWG. NO. SD-54698-004



注記 NOTES

1. 材料 MATERIAL
 ハウジング : ガラス入り耐熱樹脂、白色、UL94V-0
 HOUSING : G.F. HEAT RESISTANT PLASTIC, WHITE, UL94V-0
 ターミナル : 燐青銅
 TERMINAL : PHOSPHOR BRONZE
 ネイル : 黄銅
 NAIL : BRASS

2. めっき仕様 PLATING
 ロングターミナル LONG TERMINAL
 接点部 : 金めっき 0.25μmMIN.
 CONTACT AREA : GOLD 0.25 MICROMETER MINIMUM.
 半田付け部 : 錫めっき 1.0μmMIN.
 SOLDER TAIL AREA : TIN 1.0 MICROMETER MINIMUM.
 下地めっき : ニッケルめっき 2.0μmMIN.
 UNDER-PLATING : NICKEL 2.0 MICROMETER MINIMUM.
 ショートターミナル SHORT TERMINAL
 接点部 : 金めっき 0.25μmMIN.
 CONTACT AREA : GOLD 0.25 MICROMETER MINIMUM.
 半田付け部 : 錫めっき 1.0μmMIN.
 SOLDER TAIL AREA : TIN 1.0 MICROMETER MINIMUM.
 下地めっき : ニッケルめっき 2.0μmMIN.
 UNDER-PLATING : NICKEL 2.0 MICROMETER MINIMUM.
 ネイル NAIL
 錫めっき : 1.0μmMIN.
 TIN : 1.0 MICROMETER MINIMUM.
 下地めっき : ニッケルめっき 1.0μmMIN.
 UNDER-PLATING : NICKEL 1.0 MICROMETER MINIMUM.

3. テール平坦度は、0.1 MAX. とする。
 TAIL COPLANARITY TO BE 0.1 MAX.
 ネイル平坦度は、0.1 MAX. とする。
 NAIL COPLANARITY TO BE 0.1 MAX.

4. 本製品は54698-144*の鉛フリー品である。
 THIS PRODUCT IS LEAD FREE OF 54698-144*.

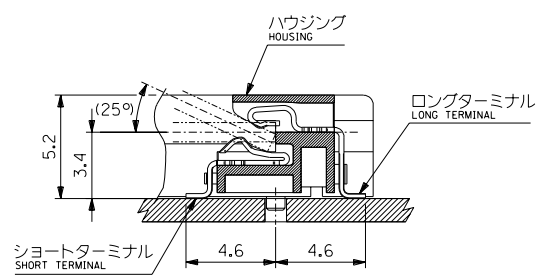
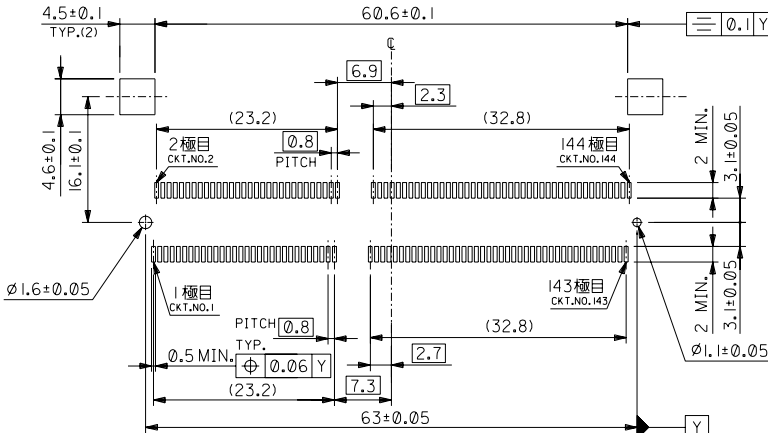
1.75	2.85	1.35	3.25	4.05	***V	ハードトレイ (高さ9) HARD TRAY(HIGHT 9)	54698-7008	54698-700*
						ハードトレイ (高さ11) HARD TRAY(HIGHT 11)	54698-7005	
						標準トレイ NORMAL TRAY	54698-7002	
3.25	1.35	2.85	1.75	5.55	5.0V	ハードトレイ (高さ9) HARD TRAY(HIGHT 9)	54698-7007	
						ハードトレイ (高さ11) HARD TRAY(HIGHT 11)	54698-7004	
						標準トレイ NORMAL TRAY	54698-7001	
						ハードトレイ (高さ9) HARD TRAY(HIGHT 9)	54698-7006	
						ハードトレイ (高さ11) HARD TRAY(HIGHT 11)	54698-7003	
						標準トレイ NORMAL TRAY	54698-7000	
E	D	C	B	A	POWER SUPPLY	梱包トレイ PACKAGING TRAY	MATERIAL NO.	

DO NOT SCALE DRAWING					GENERAL TOLERANCES: (UNLESS SPECIFIED) 一般公差		SCALE 2:1	DESIGN UNITS <input checked="" type="checkbox"/> mm <input type="checkbox"/> INCH	THIRD ANGLE PROJECTION	DIMENSIONS: <input type="checkbox"/> mm <input type="checkbox"/> INCH <input checked="" type="checkbox"/> mm ONLY		SHT	REV
EC NO. DRWN: CHK: APPR:	EC NO. DRWN: CHK: APPR:	EC NO. DRWN: CHK: APPR:	EC NO. DRWN: CHK: APPR:	EC NO. DRWN: CHK: APPR:	RELEASED EC NO. J2004-4231 DRWN: M.NAGATA 04/05/14 CHK: K.TOJO 04/05/14 APPR: M.SASAO 04/05/14	MATERIAL 材料 注記参照 SEE NOTES	FINISH 仕上げ 注記参照 SEE NOTES	WIRE RANGE 適用電線範囲	INS. RANGE 被覆外径	10 UNDER 未満 +0.2	10 OVER 以上 30 UNDER 未満 +0.25	30 OVER 以上 +0.3	ANGLE 角度 ±3°
DRAWN BY & DATE M.NAGATA 04/05/14										CHECKED BY & DATE K.TOJO 04/05/14		APPROVED BY & DATE M.SASAO 04/05/14	
CAD FILENAME SD-54698-004.S01										MATERIAL NO. SEE CHART		DRAWING NO. SD-54698-004	
TITLE: 0.8mm PITCH S.O.DIMM SOCKET 144CKT. HEIGHT5.2mm -LEAD FREE-										MATERIAL NO. SD-54698-004		SHEET NO. 1 OF 3	
THIS DRAWING CONTAINS INFORMATION THAT IS PROPRIETARY TO MOLEX INCORPORATED AND SHOULD NOT BE USED WITHOUT WRITTEN PERMISSION.										SIZE B		EN-02J(097) MXJ-54	

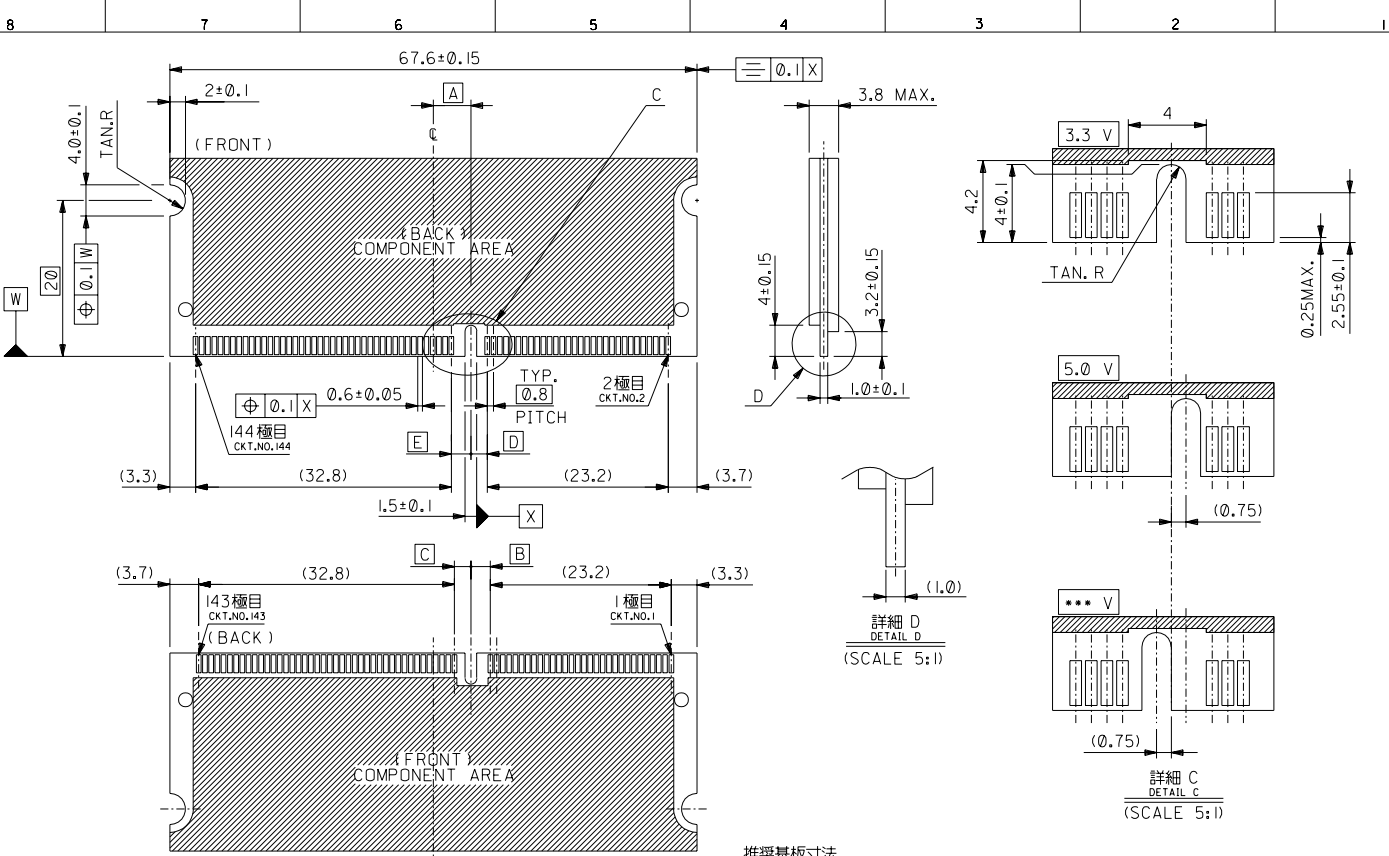
DWG. NO. SD-54698-004

DO NOT SCALE DRAWING

8 7 6 5 4 3 2



EC NO. DRWN: CHK: APPR:	EC NO. DRWN: CHK: APPR:	EC NO. DRWN: CHK: APPR:	EC NO. DRWN: CHK: APPR:	EC NO. DRWN: CHK: APPR:	EC NO. DRWN: CHK: APPR:	EC NO. DRWN: CHK: APPR:	EC NO. DRWN: CHK: APPR:	EC NO. DRWN: CHK: APPR:	EC NO. DRWN: CHK: APPR:	EC NO. DRWN: CHK: APPR:	EC NO. DRWN: CHK: APPR:	EC NO. DRWN: CHK: APPR:	EC NO. DRWN: CHK: APPR:	EC NO. DRWN: CHK: APPR:	EC NO. DRWN: CHK: APPR:	EC NO. DRWN: CHK: APPR:	EC NO. DRWN: CHK: APPR:	EC NO. DRWN: CHK: APPR:	EC NO. DRWN: CHK: APPR:																				
<p>DESCRIPTION</p> <p>0</p>											<p>SEE 1 OF 3</p>			<p>MATERIAL 材料</p> <p>注記参照 SEE NOTES</p>						<p>GENERAL TOLERANCES: (UNLESS SPECIFIED) — 公差</p> <table border="1"> <tr> <td>10 UNDER 未満</td> <td>±0.2</td> </tr> <tr> <td>10 OVER 以上</td> <td>±0.25</td> </tr> <tr> <td>30 UNDER 未満</td> <td>±0.25</td> </tr> <tr> <td>30 OVER 以上</td> <td>±0.3</td> </tr> </table> <p>ANGLE 角度 ±3°</p>				10 UNDER 未満	±0.2	10 OVER 以上	±0.25	30 UNDER 未満	±0.25	30 OVER 以上	±0.3	<p>SCALE 2:1</p>		<p>MODEL NO. 54698-700*</p> <p>DESIGN UNITS</p> <p><input checked="" type="checkbox"/>mm <input type="checkbox"/>INCH</p>		<p>DIMENSIONS:</p> <p><input type="checkbox"/>mm <input type="checkbox"/>INCH <input checked="" type="checkbox"/>mm ONLY</p>		<p>SHT REV</p>	
10 UNDER 未満	±0.2																																						
10 OVER 以上	±0.25																																						
30 UNDER 未満	±0.25																																						
30 OVER 以上	±0.3																																						
<p>FINISH 仕上げ</p> <p>注記参照 SEE NOTES</p>											<p>DESCRIPTION</p> <p>FINISH 仕上げ</p> <p>注記参照 SEE NOTES</p>						<p>DRAWN BY & DATE</p> <p>M.NAGATA '04/05/14</p>		<p>CHECKED BY & DATE</p> <p>K.TOJO '04/05/14</p>						<p>TITLE:</p> <p>0.8mm PITCH S.O.DIMM SOCKET I44CKT. HEIGHT5.2mm —LEAD FREE—</p>														
<p>WIRE RANGE 適用電線範囲</p> <p>—</p>											<p>APPROVED BY & DATE</p> <p>M.SASAO '04/05/14</p>						<p>CAD FILENAME</p> <p>SD-54698-004.S02</p>		<p>MATERIAL NO. SEE CHART</p>		<p>DRAWING NO. SD-54698-004</p>		<p>SHEET NO. 2 OF 3</p>																
<p>INS. RANGE 被覆外径</p> <p>—</p>											<p>THIS DRAWING CONTAINS INFORMATION THAT IS PROPRIETARY TO MOLEX INCORPORATED AND SHOULD NOT BE USED WITHOUT WRITTEN PERMISSION.</p>						<p>SIZE B</p>		<p>EN-02J(097) MXJ-54</p>																				

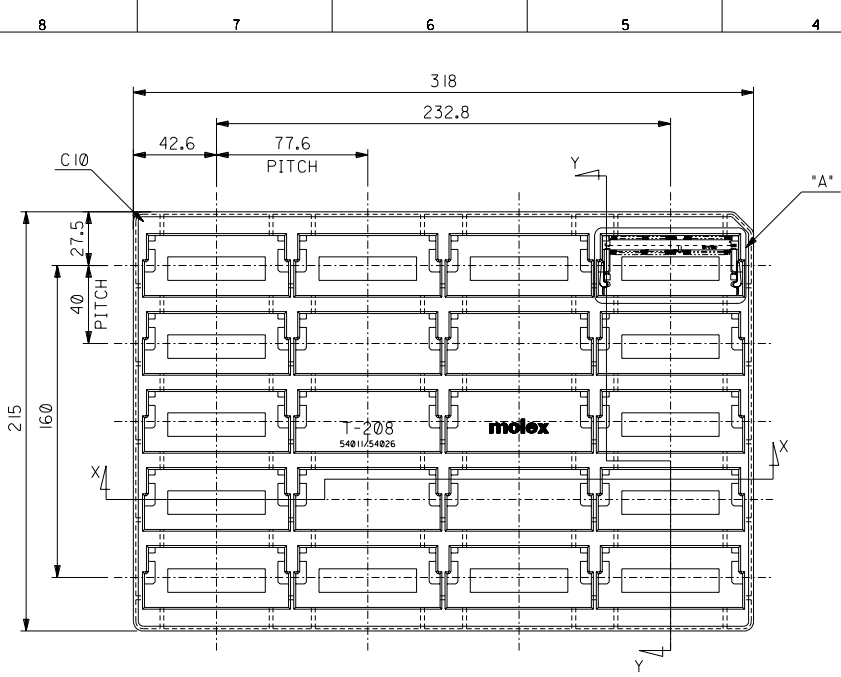


推奨基板寸法
RECOMMENDED MATING BOARD CONFIGURATION
(THK:1.0±0.1)

DO NOT SCALE DRAWING

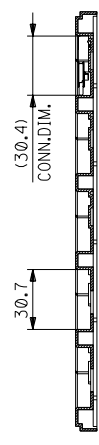
EC NO. DRWN: CHK: APPR:	EC NO. DRWN: CHK: APPR:	EC NO. DRWN: CHK: APPR:	EC NO. DRWN: CHK: APPR:	EC NO. DRWN: CHK: APPR:	EC NO. DRWN: SEE 1 OF 3 CHK: CHK: APPR: APPR:	DESCRIPTION MATERIAL 材料 注記参照 SEE NOTES FINISH 仕上付 注記参照 SEE NOTES	GENERAL TOLERANCES: (UNLESS SPECIFIED) 一般公差	SCALE 2:1	MODEL NO. DESIGN UNITS 54698-700* <input checked="" type="checkbox"/> mm <input type="checkbox"/> INCH	DIMENSIONS: <input type="checkbox"/> mm <input type="checkbox"/> INCH <input checked="" type="checkbox"/> mm ONLY	SHT REV
						WIRE RANGE 適用電線範囲	10 UNDER 未満	DRAWN BY & DATE M.NAGATA '04/05/14	TITLE: 0.8mm PITCH S.O.DIMM SOCKET I44CKT. HEIGHT5.2mm -LEAD FREE-		
						INS. RANGE 被覆外径	10 OVER 以上	CHECKED BY & DATE K.TOJO '04/05/14			
						REV	30 UNDER 未満	APPROVED BY & DATE M.SASAO '04/05/14	MATERIAL NO. SEE CHART	DRAWING NO. SD-54698-004	SHEET NO. 3 OF 3
							30 OVER 以上	CAD FILENAME SD-54698-004.S03			SIZE B
							ANGLE 角度	THIS DRAWING CONTAINS INFORMATION THAT IS PROPRIETARY TO MOLEX INCORPORATED AND SHOULD NOT BE USED WITHOUT WRITTEN PERMISSION.			EN-02J(097) MXJ-54

DWG. NO. SD-54698-005

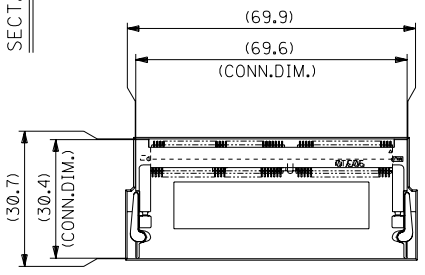


注記

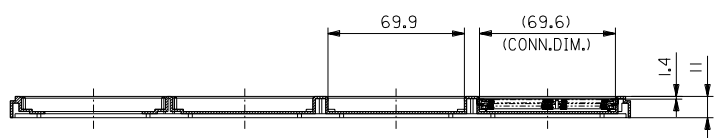
1. 一般公差：±0.5
GENERAL TOLERANCES: ±0.5
2. 各部の反りは2MAX.
WARP: 2MAX.
3. 1トレイの梱包数：20個
QUANTITY IN ONE TRAY: 20PCS.
4. 標準梱包数：300個
STANDARD PACKAGING QUANTITY: 300PCS.
5. 鉛フリー製品：54698-700*の梱包図面である。
PACKING DRAWING OF 54698-700*(LEAD FREE).



SECT. Y-Y



DETAIL A
(SCALE 1:1)



SECT. X-X

54698-7005	T-208
54698-7004	
54698-7003	
適用製品番号 APPLICABLE PART NO.	
DIMENSIONS:	
<input type="checkbox"/> mm	<input type="checkbox"/> INCH
<input type="checkbox"/> mm	<input type="checkbox"/> INCH
<input checked="" type="checkbox"/> mm ONLY	<input type="checkbox"/> INCH ONLY
SHT	REV
	OTHER ON CAD ONLY

DESIGNER	DRWING	CHK'G	APPR
E33NO.	DRWING	CHK'G	APPR
E32NO.	DRWING	CHK'G	APPR
E31NO.	DRWING	CHK'G	APPR

RELEASED
J2004-4231
DRWING: M.NAGATA
CHK'G: K.TOJO
APPR: M.SASAO

MATERIAL 材料	ポリスチレン POLYSTYRENE (帯電防止剤入り) (ANTI-STATIC)
FINISH 仕上り	//
WIRE RANGE 適用電線範囲	//
INS. RANGE 被覆外径	//

GENERAL TOLERANCES: (UNLESS SPECIFIED)	SCALE	DESIGN UNITS
10 UNDER 未満	1:2	<input checked="" type="checkbox"/> mm <input type="checkbox"/> INCH
10 OVER 以上		
30 UNDER 未満		
30 OVER 以上		
ANGLE 角度		±3°

DRAWN BY & DATE M.NAGATA 04/05/14	TITLE: HARD TRAY FOR 0.8mm PITCH S.O.DIMM HS'G ASS'Y 144CKT. -LEAD FREE-
CHECKED BY & DATE K.TOJO 04/05/14	
APPROVED BY & DATE M.SASAO 04/05/14	

MOLEX INCORPORATED	
CAD FILENAME SD-54698-005.S01	MATERIAL NO. SEE CHART
DRAWING NO. SD-54698-005	SHEET NO. 1 OF 1
DRAWING CONTAINS INFORMATION THAT IS PROPRIETARY TO MOLEX INCORPORATED AND SHOULD NOT BE USED WITHOUT WRITTEN PERMISSION.	
SIZE B	

DO NOT SCALE DRAWING