

**PLEASE CHECK WWW.MOLEX.COM FOR LATEST PART INFORMATION**

**Part Number:** [0546987000](#)  
**Status:** **Active**  
**Description:** 0.80mm (.031") Pitch S.O. DIMM Socket, Right Angle, Surface Mount, 5.20mm (.205") Mounted Height, 144 Circuits, 3.3V Power Supply, Lead-free

**Documents:**

[3D Model](#) [Product Specification PS-54698-003 \(PDF\)](#)  
[Drawing \(PDF\)](#) [RoHS Certificate of Compliance \(PDF\)](#)

**General**

Product Family	Memory Module Sockets
Series	54698
Comments	3.3V Power Supply
Component Type	Memory Module
JEDEC Outline	N/A
Product Name	S.O. DIMM

**Physical**

Circuits (Loaded)	144
Color - Resin	Natural
Durability (mating cycles max)	30
Entry Angle	90° Angle (Side Entry)
Keying to Mating Part	Yes
Material - Metal	Brass, Phosphor Bronze
Material - Plating Mating	Gold
Material - Plating Termination	Tin
Material - Resin	High Temperature Thermoplastic
PCB Retention	Yes
PCB Thickness Recommended (in)	0.045 In
PCB Thickness Recommended (mm)	1.20 mm
Packaging Type	Tray
Pitch - Mating Interface (in)	0.031 In
Pitch - Mating Interface (mm)	0.80 mm
Plating min: Mating (µin)	10
Plating min: Mating (µm)	0.25
Plating min: Termination (µin)	40
Plating min: Termination (µm)	1
Temperature Range - Operating	-55°C to +85°C
Termination Interface: Style	Surface Mount

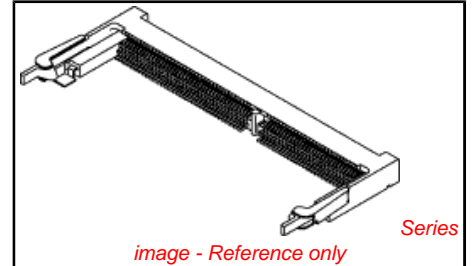
**Electrical**

Current - Maximum per Contact	0.3A
Voltage - Maximum	100V
Voltage Key	3.3V

**Material Info**

**Reference - Drawing Numbers**

Product Specification	PS-54698-003
Sales Drawing	SD-54698-004



**EU RoHS**

**ELV and RoHS Compliant**  
**REACH SVHC**  
 Not Reviewed  
**Halogen-Free Status**  
 Not Reviewed

**China RoHS**



**Need more information on product environmental compliance?**

Email [productcompliance@molex.com](mailto:productcompliance@molex.com)  
 For a multiple part number RoHS Certificate of Compliance, [click here](#)

Please visit the [Contact Us](#) section for any non-product compliance questions.

**Search Parts in this Series**

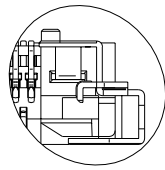
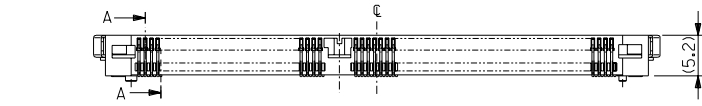
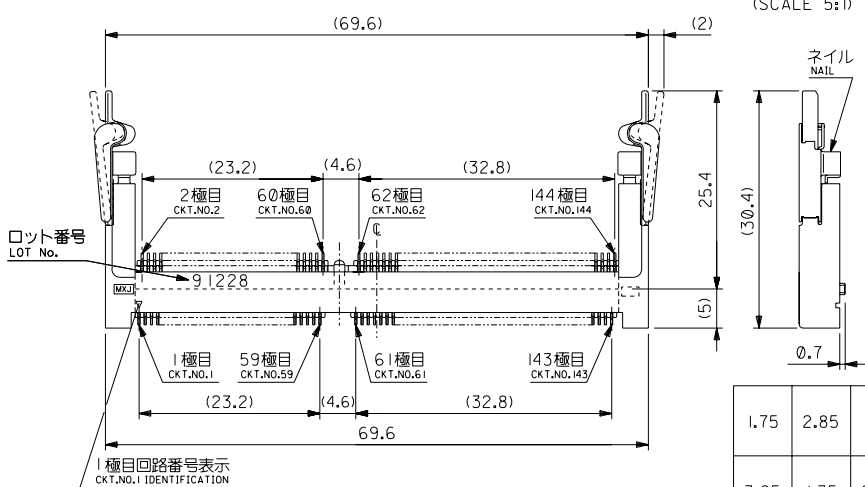
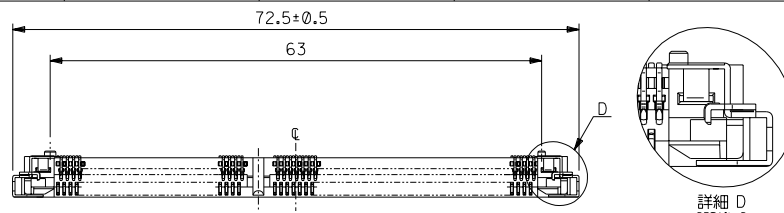
54698Series

**Mates With**

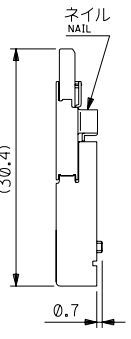
JEDEC Standard DRAM and SDRAM modules

**PLEASE CHECK WWW.MOLEX.COM FOR LATEST PART INFORMATION**

DWG. NO. SD-54698-004



詳細 D  
DETAIL D  
(SCALE 5:1)

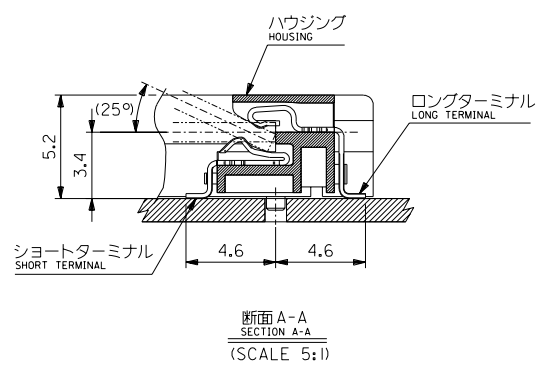
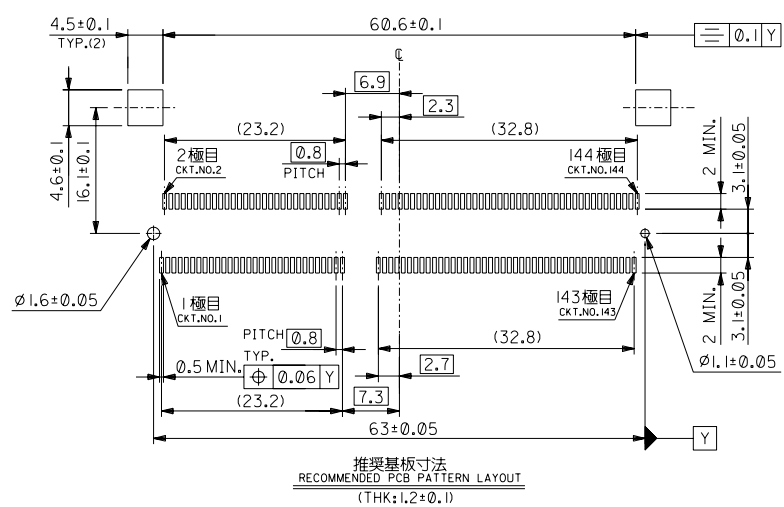


- 注記 NOTES
1. 材料 MATERIAL  
ハウジング : ガラス入り耐熱樹脂、白色、UL94V-0  
ターミナル : 燐青銅  
ネイル : 黄銅  
NAIL : BRASS
  2. めっき仕様 PLATING  
ロングターミナル LONG TERMINAL  
接点部 : 金めっき 0.25μmMIN.  
CONTACT AREA : GOLD 0.25 MICROMETER MINIMUM.  
半田付け部 : 錫めっき 1.0μmMIN.  
SOLDER TAIL AREA : TIN 1.0 MICROMETER MINIMUM.  
下地めっき : ニッケルのめっき 2.0μmMIN.  
UNDER-PLATING : NICKEL 2.0 MICROMETER MINIMUM.  
ショートターミナル SHORT TERMINAL  
接点部 : 金めっき 0.25μmMIN.  
CONTACT AREA : GOLD 0.25 MICROMETER MINIMUM.  
半田付け部 : 錫めっき 1.0μmMIN.  
SOLDER TAIL AREA : TIN 1.0 MICROMETER MINIMUM.  
下地めっき : ニッケルのめっき 2.0μmMIN.  
UNDER-PLATING : NICKEL 2.0 MICROMETER MINIMUM.  
ネイル NAIL  
錫めっき : 1.0μmMIN.  
TIN : 1.0 MICROMETER MINIMUM.  
下地めっき : ニッケルのめっき 1.0μmMIN.  
UNDER-PLATING : NICKEL 1.0 MICROMETER MINIMUM.
  3. テール平坦度は、0.1 MAX. とする。  
TAIL COPLANARITY TO BE 0.1 MAX.  
ネイル平坦度は、0.1 MAX. とする。  
NAIL COPLANARITY TO BE 0.1 MAX.
  4. 本製品は54698-144\*の鉛フリー品である。  
THIS PRODUCT IS LEAD FREE OF 54698-144\*.

1.75	2.85	1.35	3.25	4.05	***V	ハードトレイ (高さ9) HARD TRAY(HIGHT 9)	54698-7008	54698-700*
						ハードトレイ (高さ11) HARD TRAY(HIGHT 11)	54698-7005	
						標準トレイ NORMAL TRAY	54698-7002	
3.25	1.35	2.85	1.75	5.55	5.0V	ハードトレイ (高さ9) HARD TRAY(HIGHT 9)	54698-7007	
						ハードトレイ (高さ11) HARD TRAY(HIGHT 11)	54698-7004	
						標準トレイ NORMAL TRAY	54698-7001	
						ハードトレイ (高さ9) HARD TRAY(HIGHT 9)	54698-7006	
						ハードトレイ (高さ11) HARD TRAY(HIGHT 11)	54698-7003	
						標準トレイ NORMAL TRAY	54698-7000	
E	D	C	B	A	POWER SUPPLY	梱包トレイ PACKAGING TRAY	MATERIAL NO.	

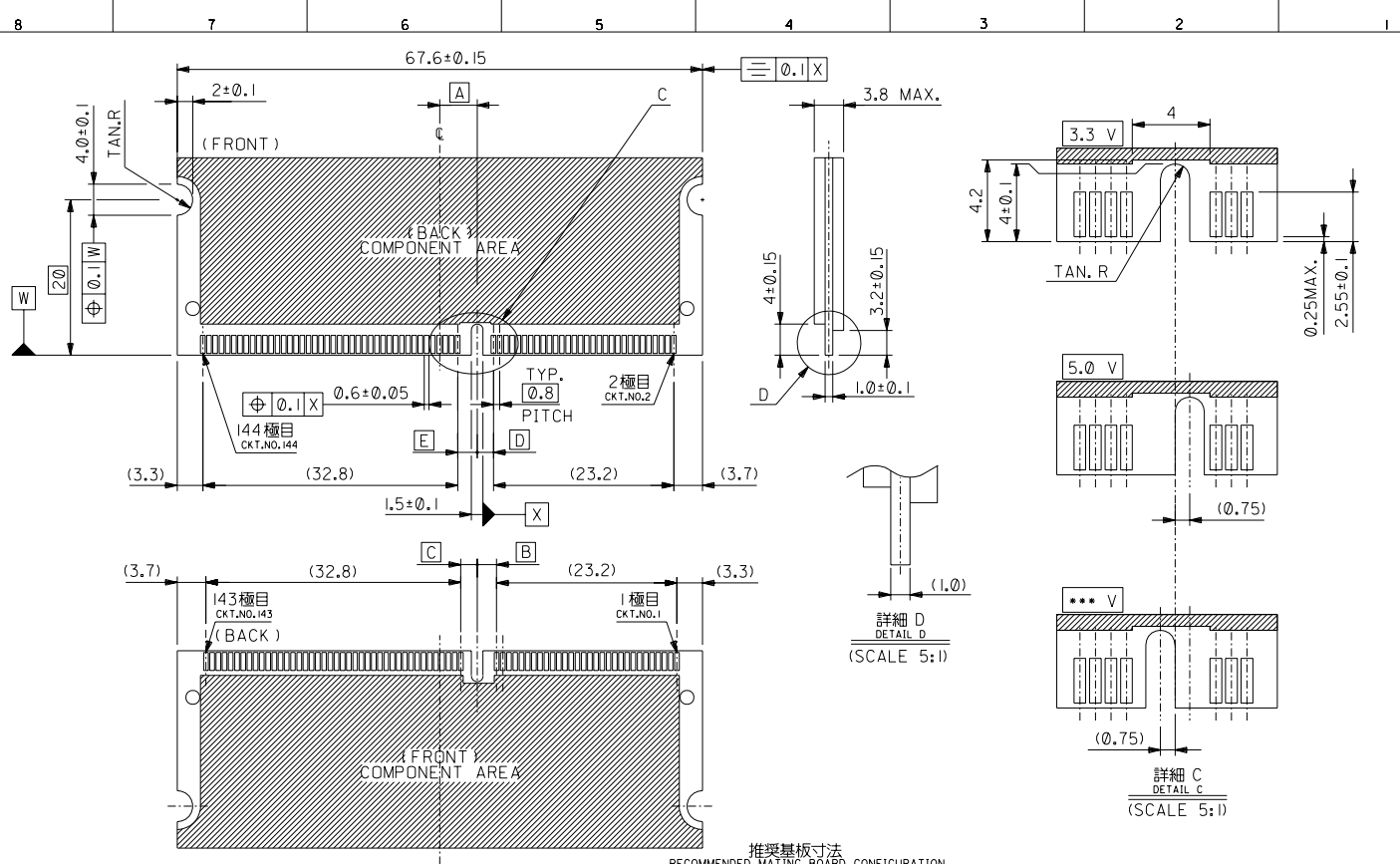
DO NOT SCALE DRAWING					MATERIAL 材料 注記参照 SEE NOTES		GENERAL TOLERANCES: (UNLESS SPECIFIED) 一般公差		SCALE 2:1		DESIGN UNITS <input checked="" type="checkbox"/> mm <input type="checkbox"/> INCH		THIRD ANGLE PROJECTION <input type="checkbox"/> mm <input type="checkbox"/> INCH <input checked="" type="checkbox"/> mm ONLY		DIMENSIONS: <input type="checkbox"/> mm <input type="checkbox"/> INCH <input checked="" type="checkbox"/> mm ONLY		SHT REV REVISE ON CAD ONLY		
EC NO. DRWN: CHK: APPR:	EC NO. DRWN: CHK: APPR:	EC NO. DRWN: CHK: APPR:	EC NO. DRWN: CHK: APPR:	EC NO. DRWN: CHK: APPR:	RELEASED EC NO. J2004-4231 DRWN: M.NAGATA 04/05/14 CHK: K.TOJO 04/05/14 APPR: M.SASAO 04/05/14	FINISH 仕上げ 注記参照 SEE NOTES	WIRE RANGE 適用電線範囲	INS. RANGE 被覆外径	10 UNDER 未満 0.2	DRAWN BY & DATE M.NAGATA 04/05/14	TITLE: 0.8mm PITCH S.O.DIMM SOCKET 144CKT. HEIGHT5.2mm -LEAD FREE-		MOLEX INCORPORATED		MATERIAL NO. SD-54698-004		SHEET NO. 1 OF 3		
					0			30 OVER 以上 0.25	CHECKED BY & DATE K.TOJO 04/05/14	APPROVED BY & DATE M.SASAO 04/05/14									
								30 OVER 以上 0.3	APPROVED BY & DATE M.SASAO 04/05/14	CAD FILENAME SD-54698-004.S01		SEE CHART							
										THIS DRAWING CONTAINS INFORMATION THAT IS PROPRIETARY TO MOLEX INCORPORATED AND SHOULD NOT BE USED WITHOUT WRITTEN PERMISSION.									
										EN-02J(097) MXJ-54									

8 7 6 5 4 3 2 1



EC NO. DRWN: CH/K: APPR:		EC NO. DRWN: CH/K: APPR:		EC NO. DRWN: CH/K: APPR:		EC NO. DRWN: CH/K: APPR:		EC NO. DRWN: CH/K: APPR:		0	DESCRIPTION SEE NOTES	MATERIAL 材料 SEE NOTES	GENERAL TOLERANCES: (UNLESS SPECIFIED) 公差		SCALE 2:1	MODEL NO. 54698-700*	DIMENSIONS:	SHT	REV				
FINISH 仕上り SEE NOTES		WIRE RANGE 適用電線範囲		INS. RANGE 被覆外径		ANGLE 角度		DRAWN BY & DATE M.NAGATA '04/05/14					CHECKED BY & DATE K.TOJO '04/05/14		APPROVED BY & DATE M.SASAO '04/05/14		THIRD ANGLE PROJECTION	mm INCH mm INCH	mm ONLY	REVISE ON CAD ONLY			
10 UNDER 未満		10 OVER 以上		30 UNDER 未満		30 OVER 以上		+0.2					+0.25		+0.3							TITLE: 0.8mm PITCH S.O.DIMM SOCKET I44CKT. HEIGHT5.2mm -LEAD FREE-	MATERIAL NO. SEE CHART
0		0		0		±3°		CAD FILENAME SD-54698-004.S02					MATERIAL NO. SEE CHART		DRAWING NO. SD-54698-004		SHEET NO. 2 OF 3		SIZE B		EN-02J(097) MXJ-54		

DWG. NO. SD-54698-004



推奨基板寸法  
RECOMMENDED MATING BOARD CONFIGURATION  
(THK:1.0±0.1)

DO NOT SCALE DRAWING

EC NO. DRWN: CH'K: APPR:		EC NO. DRWN: CH'K: APPR:		EC NO. DRWN: CH'K: APPR:		EC NO. DRWN: CH'K: APPR:		EC NO. DRWN: CH'K: APPR:		EC NO. DRWN: CH'K: APPR: SEE 1 OF 3	MATERIAL 材料 注記参照 SEE NOTES	GENERAL TOLERANCES: (UNLESS SPECIFIED) 一般公差	SCALE 2:1	MODEL NO. DESIGN UNITS 54698-700* <input checked="" type="checkbox"/> mm <input type="checkbox"/> INCH	DIMENSIONS: <input type="checkbox"/> INCH <input type="checkbox"/> mm <input checked="" type="checkbox"/> mm ONLY	SHT REV REVISE ON CAD ONLY			
WIRE RANGE 適用電線範囲		FINISH 仕上付		DESCRIPTION		10 UNDER 未満		10 OVER 以上 30 UNDER 未満		30 OVER 以上		DRAWN BY & DATE M.NAGATA '04/05/14		CHECKED BY & DATE K.TOJO '04/05/14		APPROVED BY & DATE M.SASAO '04/05/14		TITLE: 0.8mm PITCH S.O.DIMM SOCKET 144CKT. HEIGHT5.2mm -LEAD FREE-	
INS. RANGE 被覆外径				REV		ANGLE 角度				CAD FILENAME SD-54698-004.S03		MATERIAL NO. SEE CHART		DRAWING NO. SD-54698-004		SHEET NO. 3 OF 3		SIZE B	
THIS DRAWING CONTAINS INFORMATION THAT IS PROPRIETARY TO MOLEX INCORPORATED AND SHOULD NOT BE USED WITHOUT WRITTEN PERMISSION.																			
EN-02J(097) MXJ-54																			