

**PLEASE CHECK WWW.MOLEX.COM FOR LATEST PART INFORMATION**

**Part Number:** [0545500871](#)  
**Status:** **Active**  
**Overview:** [ffc\\_fpc\\_smt](#)  
**Description:** 0.50mm (.020") Pitch FFC/FPC Connector, 1.20mm (.047") Height, Right Angle, SMT, ZIF, Top Contact Style, 8 Circuits, Gold Contact Plating

**Documents:**

<a href="#">3D Model</a>	<a href="#">Product Specification PS-54550-012 (PDF)</a>
<a href="#">Drawing (PDF)</a>	<a href="#">RoHS Certificate of Compliance (PDF)</a>

**General**

Product Family	FFC/FPC Connectors
Series	54550
Overview	<a href="#">ffc_fpc_smt</a>
Product Name	N/A

**Physical**

Circuits (Loaded)	8
Contact Position	Top
Durability (mating cycles max)	20
Entry Angle	90° Angle
Mated Height (in)	0.047 In
Mated Height (mm)	1.20 mm
Material - Metal	Phosphor Bronze
Material - Plating Mating	Gold
Material - Plating Termination	Tin
Number of Rows	1
Orientation	Right Angle
PCB Locator	No
PCB Retention	Yes
Packaging Type	Embossed Tape on Reel
Pitch - Mating Interface (in)	0.020 In
Pitch - Mating Interface (mm)	0.50 mm
Polarized to PCB	Yes
Stackable	No
Temperature Range - Operating	-20°C to +85°C
Termination Interface: Style	Surface Mount
Wire/Cable Type	FFC/FPC

**Electrical**

Current - Maximum per Contact	0.5A
Voltage - Maximum	50V

**Material Info**

**Reference - Drawing Numbers**

Packaging Specification	SPK-54550-056
Product Specification	PS-54550-012, RPS-54550-078, RPS-54550-080, RPS-54550-083, RPS-54550-088, RPS-54550-089, RPS-54550-090
Sales Drawing	SD-54550-042, SD-54550-043

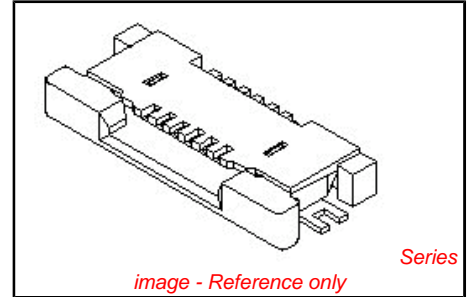


image - Reference only

**EU RoHS**

**ELV and RoHS Compliant**

**REACH SVHC**

Not Reviewed

**Halogen-Free**

**Status**

**Not Reviewed**

**Need more information on product environmental compliance?**

Email [productcompliance@molex.com](mailto:productcompliance@molex.com)  
 For a multiple part number RoHS Certificate of Compliance, [click here](#)

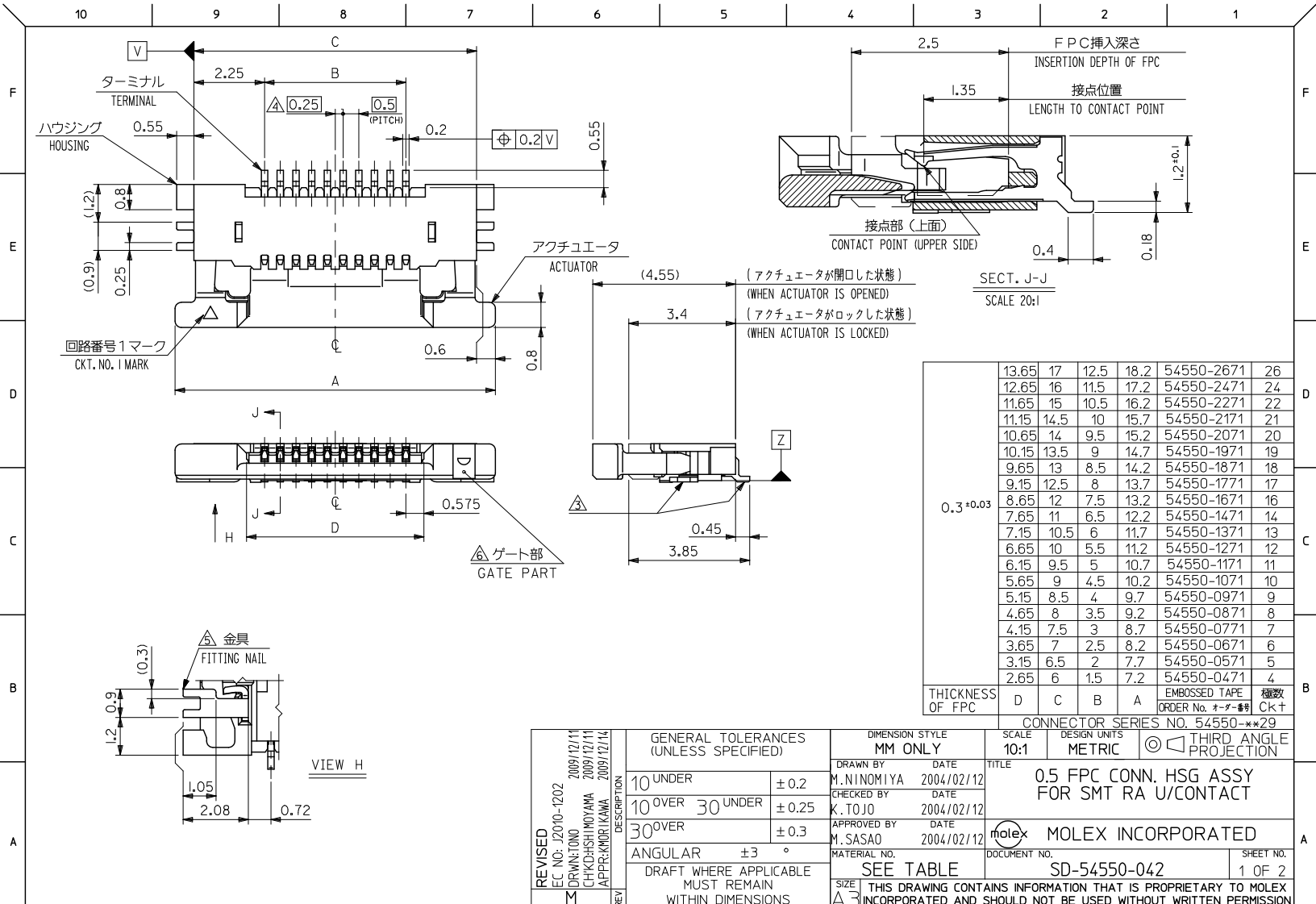
Please visit the [Contact Us](#) section for any non-product compliance questions.

**China RoHS**

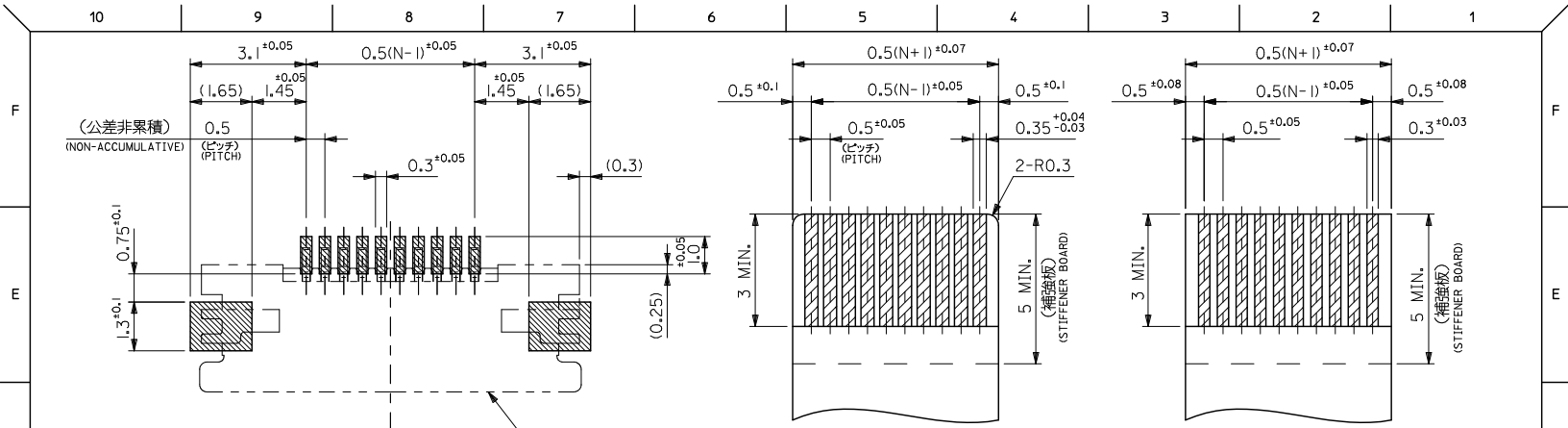


**Search Parts in this Series**  
54550Series

**PLEASE CHECK WWW.MOLEX.COM FOR LATEST PART INFORMATION**



REVISED EC NO: J2010-1202 DRAWN: ONO CHKD: SHINOMIYA APPR: KIMORI KAWA	GENERAL TOLERANCES (UNLESS SPECIFIED)		DIMENSION STYLE MM ONLY		SCALE 10:1	DESIGN UNITS METRIC	THIRD ANGLE PROJECTION
	10 UNDER	±0.2	DRAWN BY M. NINOMIYA	DATE 2004/02/12	TITLE 0.5 FPC CONN. HSG ASSY FOR SMT RA U/CONTACT		
	10 OVER 30 UNDER	±0.25	CHECKED BY K. TOJO	DATE 2004/02/12	MOLEX INCORPORATED		
	30 OVER	±0.3	APPROVED BY M. SASAO	DATE 2004/02/12	DOCUMENT NO. SD-54550-042	SHEET NO. 1 OF 2	
DESCRIPTION M	ANGULAR ±3° DRAFT WHERE APPLICABLE MUST REMAIN WITHIN DIMENSIONS	MATERIAL NO. SEE TABLE	SIZE A3 THIS DRAWING CONTAINS INFORMATION THAT IS PROPRIETARY TO MOLEX INCORPORATED AND SHOULD NOT BE USED WITHOUT WRITTEN PERMISSION				



**注記 NOTES**

1. 使用材料 MATERIAL  
 ハウジング HOUSING : LCP, UL94V-0  
 アクチュエータ ACTUATOR : PPS, UL94V-0  
 ターミナル TERMINAL : リン青銅 PHOSPHOR BRONZE  
 メッキ PLATING : 接点部: 金メッキ CONTACT PORTION: GOLD PLATING  
 : 半田付部: 錫メッキ SOLDERING PORTION: TIN PLATING  
 : 下地: ニッケルメッキ UNDER PLATING: NICKEL PLATING  
 金具 FITTING NAIL : リン青銅、ニッケル下地 錫メッキ PHOSPHOR BRONZE, TIN OVER NICKEL PLATING
2. エンボステープ梱包時は、アクチュエータがロックした状態とする。  
 IN THE PACKAGE, ACTUATOR OF PART NO.54550-\*\*29 SHOULD BE LOCKED.
- △ソルダータール半田付け面のスレ量、及び金具半田付け面のスレ量は、基準面 Z に対し上方向 0MAX.、下方向 0.15MAX. とし  
 相互のバラつき量は 0.1MAX. とする。  
 MISALIGNMENT OF SOLDER TAILS AND FITTING NAILS FROM Z  
 UPPER DIRECTION: 0 MAX., LOWER DIRECTION: 0.15 MAX.  
 OFFSET BETWEEN UPPER AND LOWER 0.1 MAX.
- △偶数極に適用。  
 APPLY FOR EVEN CIRCUIT.
- △パターンはくり止め用金具  
 FITTING NAIL FOR PREVENTION OF PEELING  
 OF P.C.B. PATTERN.
- △ゲート部は、左右どちらか一方にあるものとする。  
 A GATE PART -- RIGHT AND LEFT -- IT SHALL BE IN EITHER.
7. 本製品は 54550-\*\*27 の鉛フリー品である。  
 THIS PRODUCT IS LEAD FREE OF 54550-\*\*27.
8. N: 極数 N: CIRCUIT.
9. ELV 及び RoHS 適合品 / ELV AND RoHS COMPLIANT.

適合FPC推奨寸法  
 APPLICABLE FPC  
 RECOMMENDED DIMENSION  
 (仕上がり厚さ: 表参照)  
 (THICKNESS: SEE CHART)

適合FFC推奨寸法  
 APPLICABLE FFC  
 RECOMMENDED DIMENSION  
 (仕上がり厚さ: 表参照)  
 (THICKNESS: SEE CHART)

FPC/FFC について:  
 打ち抜き方向は導体側から補強板側を推奨します。  
 導体部については軟銅箔35μmまたは50μmを推奨します。  
 ABOUT FPC/FFC  
 RECOMMENDED PUNCHER DIRECTION: FROM CONDUCTOR SIDE TO STIFFENER FILM SIDE.  
 RECOMMENDED CONDUCTOR SPEC:  
 THICKNESS OF SOFT COPPER FOIL: 35 MICROMETER OR 50 MICROMETER.

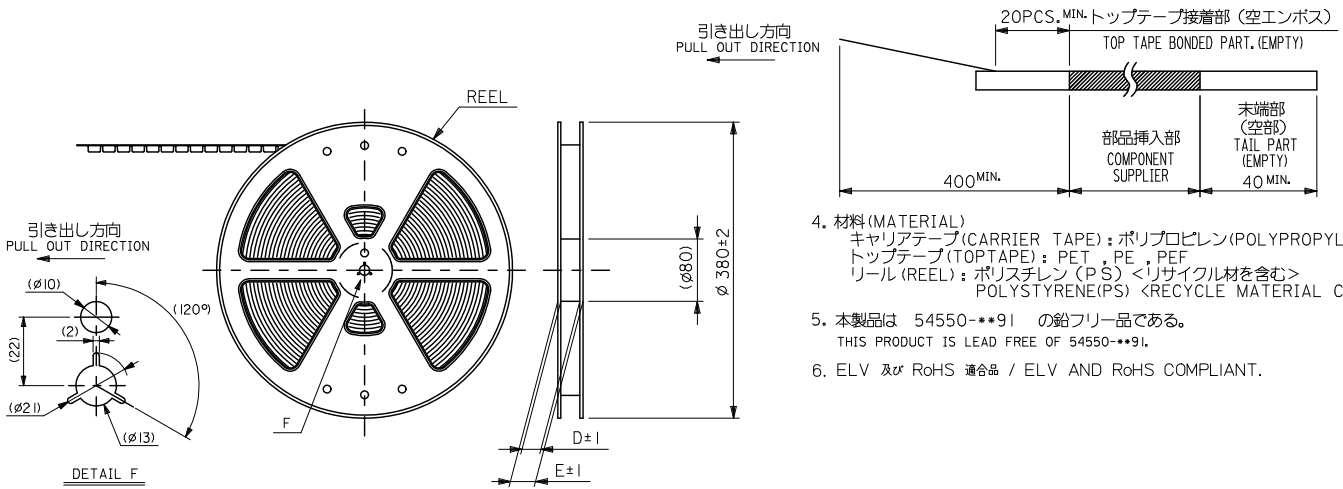
FPC について:  
 補強フィルム材質はポリイミドを推奨します。ベースフィルムは25μmを推奨します。  
 接着剤は熱硬化接着剤を推奨します。  
 尚、接着剤の接点部への付着は導通不良の原因になりますので、染み出しが無い様、お願い致します。  
 ABOUT FPC  
 RECOMMENDED MATERIAL/THICKNESS.  
 STIFFENER FILM: POLYIMIDE  
 BASE FILM THICKNESS: 25μm  
 BONDING AGENT: THERMOSETTING BONDING AGENT  
 PLEASE PUT APPROPRIATE AMOUNT OF ADHESIVE ON THE CONTACT  
 AREA BECAUSE THE EXTRA ADHESIVE MAY CAUSE THE DEFECT IN  
 ELECTRICAL CONTINUITY.

REVISED EC NO: J2010-1202 DRAWN BY CHYKOSHINOYAMA 2009/12/11 CHECKED BY APPR: KMORI KAWA 2009/12/14 REV	GENERAL TOLERANCES (UNLESS SPECIFIED)		DIMENSION STYLE MM ONLY		SCALE ---	DESIGN UNITS METRIC	THIRD ANGLE PROJECTION
	10 UNDER	±0.2	DRAWN BY M. NINOMIYA	DATE 2004/02/12	TITLE 0.5 FPC CONN. HSG ASSY FOR SMT RA U/CONTACT		
	10 OVER 30 UNDER	±0.25	CHECKED BY K. TOJO	DATE 2004/02/12	MOLEX INCORPORATED		
	30 OVER	±0.3	APPROVED BY M. SASAO	DATE 2004/02/12	DOCUMENT NO. SD-54550-042	SHEET NO. 2 OF 2	
ANGULAR ±3°		DRAFT WHERE APPLICABLE MUST REMAIN WITHIN DIMENSIONS		SEE SHEET 1		THIS DRAWING CONTAINS INFORMATION THAT IS PROPRIETARY TO MOLEX INCORPORATED AND SHOULD NOT BE USED WITHOUT WRITTEN PERMISSION	

10 9 8 7 6 5 4 3 2 1

NOTES

- 製品詳細寸法については図面 SD-54550-042 を参照下さい。  
RE DETAILED DIMENSION, SEE SD-54550-042.
- 梱包数量：3000個/リール  
NUMBER OF CONNECTORS : 3000PCS/REEL
- リードテープ長さ LEAD TAPE LENGTH

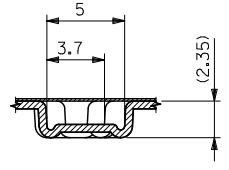
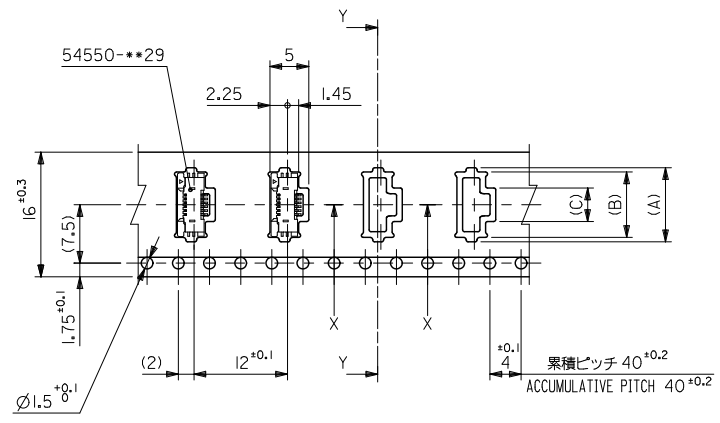
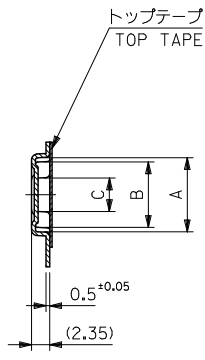


- 材料 (MATERIAL)  
キャリアテープ (CARRIER TAPE) : ポリプロピレン (POLYPROPYLENE)  
トップテープ (TOPTAPE) : PET , PE , PEF  
リール (REEL) : ポリスチレン (PS) <リサイクル材を含む>  
POLYSTYRENE (PS) <RECYCLE MATERIAL CONTAINED>
- 本製品は 54550-\*\*\*91 の鉛フリー品である。  
THIS PRODUCT IS LEAD FREE OF 54550-\*\*\*91.
- ELV 及び RoHS 適合品 / ELV AND RoHS COMPLIANT.

REVISED EC NO: J2010-1202 DRAWN BY CHYKOSHINOYAMA 2009/12/11 APPR: KMORI KAWA 2009/12/14	GENERAL TOLERANCES (UNLESS SPECIFIED)		DIMENSION STYLE MM ONLY		SCALE ---	DESIGN UNITS METRIC	THIRD ANGLE PROJECTION
	10 UNDER	±0.2	DRAWN BY M. NINOMIYA	DATE 2004/02/12	TITLE EMBSTP PKG FOR 0.5 FPC CONN ZIF UPR CONT		
	10 OVER 30 UNDER	±0.25	CHECKED BY K. TOJO	DATE 2004/02/12	MOLEX INCORPORATED		
	30 OVER	±0.3	APPROVED BY M. SASAO	DATE 2004/02/12	DOCUMENT NO. SD-54550-043	SHEET NO. 1 OF 3	
	ANGULAR ±3 °	DRAFT WHERE APPLICABLE MUST REMAIN WITHIN DIMENSIONS		MATERIAL NO. SEE SHEET 1 OR 2	THIS DRAWING CONTAINS INFORMATION THAT IS PROPRIETARY TO MOLEX INCORPORATED AND SHOULD NOT BE USED WITHOUT WRITTEN PERMISSION		

10 9 8 7 6 5 4 3 2 1

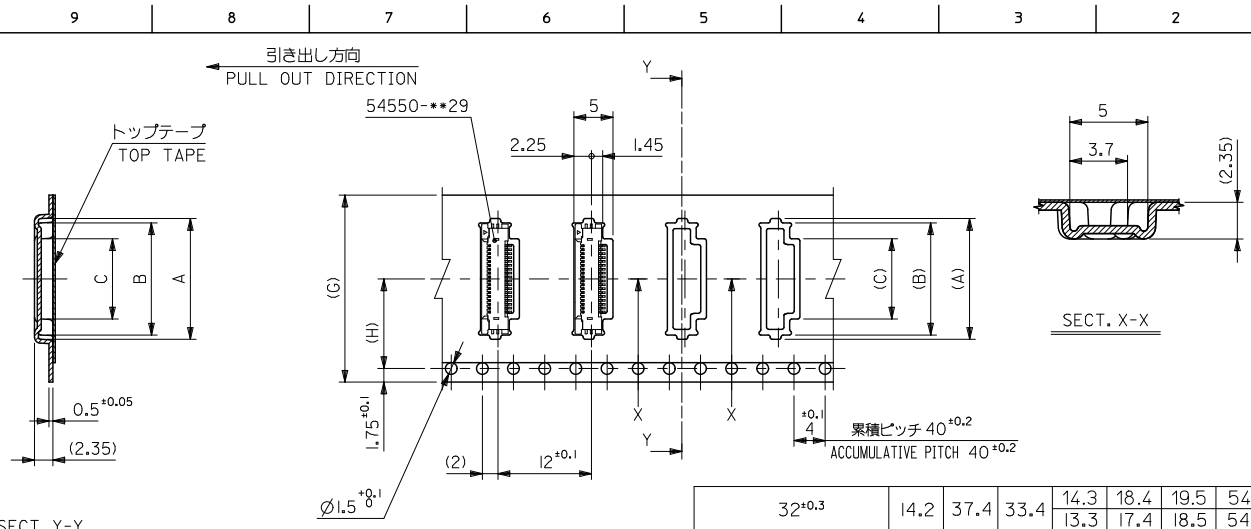
引き出し方向  
PULL OUT DIRECTION



16mm幅キャリアテープ  
16mm WIDTH CARRIER TAPE

16	21.4	17.4	4.3	8.4	9.5	54550-0671	6
			3.8	7.9	9	54550-0571	5
			3.3	7.4	8.5	54550-0471	4
キャリアテープ幅 CARRIER TAPE WIDTH	E	D	(C)	(B)	(A)	製品番号 MATERIAL No.	極数 Ck†

REVISED EC NO: J2010-1202 DRAWN BY: CHYKOSHINOYAMA 2009/12/11 APPR: KMORI KAWA 2009/12/14 DESCRIPTION:	GENERAL TOLERANCES (UNLESS SPECIFIED)		DIMENSION STYLE MM ONLY		SCALE ---	DESIGN UNITS METRIC	THIRD ANGLE PROJECTION
	10 UNDER	±0.2	DRAWN BY M. NINOMIYA	DATE 2004/02/12	TITLE EMBSTP PKG FOR 0.5 FPC CONN ZIF UPR CONT		
	10 OVER 30 UNDER	±0.25	CHECKED BY K. TOJO	DATE 2004/02/12	MOLEX INCORPORATED		
	30 OVER	±0.3	APPROVED BY M. SASAO	DATE 2004/02/12	DOCUMENT NO. SD-54550-043	SHEET NO. 2 OF 3	
	ANGULAR ±3°	DRAFT WHERE APPLICABLE MUST REMAIN WITHIN DIMENSIONS		THIS DRAWING CONTAINS INFORMATION THAT IS PROPRIETARY TO MOLEX INCORPORATED AND SHOULD NOT BE USED WITHOUT WRITTEN PERMISSION			



24, 32mm幅キャリアテープ  
24mm, 32mm WIDTH CARRIER TAPE

32 <sup>+0.3</sup>	14.2	37.4	33.4	14.3	18.4	19.5	54550-2671	26		
24 <sup>+0.3</sup>	11.5	29.4	25.4	13.3	17.4	18.5	54550-2471	24		
				12.3	16.4	17.5	54550-2271	22		
				11.8	15.9	17	54550-2171	21		
				11.3	15.4	16.5	54550-2071	20		
				10.8	14.9	16	54550-1971	19		
				10.3	14.4	15.5	54550-1871	18		
				9.8	13.9	15	54550-1771	17		
				9.3	13.4	14.5	54550-1671	16		
				8.3	12.4	13.5	54550-1471	14		
				7.8	11.9	13	54550-1371	13		
				7.3	11.4	12.5	54550-1271	12		
				6.8	10.9	12	54550-1171	11		
				6.3	10.4	11.5	54550-1071	10		
				5.8	9.9	11	54550-0971	9		
5.3	9.4	10.5	54550-0871	8						
4.8	8.9	10	54550-0771	7						
G キャリアテープ幅 CARRIER TAPE WIDTH			H	E	D	(C)	(B)	(A)	製品番号 MATERIAL No.	極致 Ck+

REVISED EC NO: J2010-1202 DRAWN: TONO CHKD: SHINOYAMA APPR: MORIKAWA	GENERAL TOLERANCES (UNLESS SPECIFIED)		DIMENSION STYLE MM ONLY		SCALE ---	DESIGN UNITS METRIC	THIRD ANGLE PROJECTION	
	10 UNDER	±0.2	DRAWN BY M. NINOMIYA	DATE 2004/02/12	TITLE EMBSTP PKG FOR 0.5 FPC CONN ZIF UPR CONT			
	10 OVER 30 UNDER	±0.25	CHECKED BY K. TOJO	DATE 2004/02/12	MOLEX INCORPORATED			
	30 OVER	±0.3	APPROVED BY M. SASAO	DATE 2004/02/12	DOCUMENT NO. SD-54550-043		SHEET NO. 3 OF 3	
	ANGULAR ±3 ° DRAFT WHERE APPLICABLE MUST REMAIN WITHIN DIMENSIONS		MATERIAL NO. SEE TABLE		THIS DRAWING CONTAINS INFORMATION THAT IS PROPRIETARY TO MOLEX INCORPORATED AND SHOULD NOT BE USED WITHOUT WRITTEN PERMISSION			