

PLEASE CHECK WWW.MOLEX.COM FOR LATEST PART INFORMATION

Part Number: [0533981271](#)
Status: **Active**
Overview: picoblade
Description: 1.25mm (.049") Pitch PicoBlade™ Header, Surface Mount, Vertical, Lead-free, 12 Circuits

Documents:

3D Model	Product Specification PS-51021-024 (PDF)
Drawing (PDF)	RoHS Certificate of Compliance (PDF)

Agency Certification

UL E29179

General

Product Family	PCB Headers
Series	53398
Application	Wire-to-Board
Overview	picoblade
Product Name	PicoBlade™

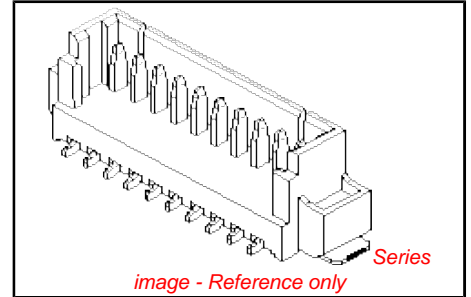
Physical

Breakaway	No
Circuits (Loaded)	12
Color - Resin	Natural
Durability (mating cycles max)	30
First Mate / Last Break	No
Flammability	94V-0
Glow-Wire Compliant	No
Guide to Mating Part	No
Lock to Mating Part	Yes
Mated Height (in)	0.224 In
Mated Height (mm)	5.70 mm
Material - Metal	Phosphor Bronze
Material - Plating Mating	Tin
Material - Plating Termination	Tin
Material - Resin	Nylon
Number of Rows	1
Orientation	Vertical
PC Tail Length (in)	0.024 In
PC Tail Length (mm)	0.60 mm
PCB Locator	No
PCB Retention	Yes
Packaging Type	Embossed Tape on Reel
Pitch - Mating Interface (in)	0.049 In
Pitch - Mating Interface (mm)	1.25 mm
Polarized to Mating Part	Yes
Polarized to PCB	Yes
Shrouded	Partial
Stackable	No
Temperature Range - Operating	-40°C to +85°C
Termination Interface: Style	Surface Mount

Electrical

Current - Maximum per Contact	1A
Voltage - Maximum	125V

Material Info



EU RoHS

ELV and RoHS Compliant
REACH SVHC Contains SVHC: No
Halogen-Free Status
Not Halogen-Free

China RoHS



Need more information on product environmental compliance?

Email productcompliance@molex.com
 For a multiple part number RoHS Certificate of Compliance, [click here](#)

Please visit the [Contact Us](#) section for any non-product compliance questions.

Search Parts in this Series
[53398Series](#)

Mates With
 51021 PicoBlade™ Wire-to-Wire and Wire-to-Board Housing

Reference - Drawing Numbers

Packaging Specification
Product Specification

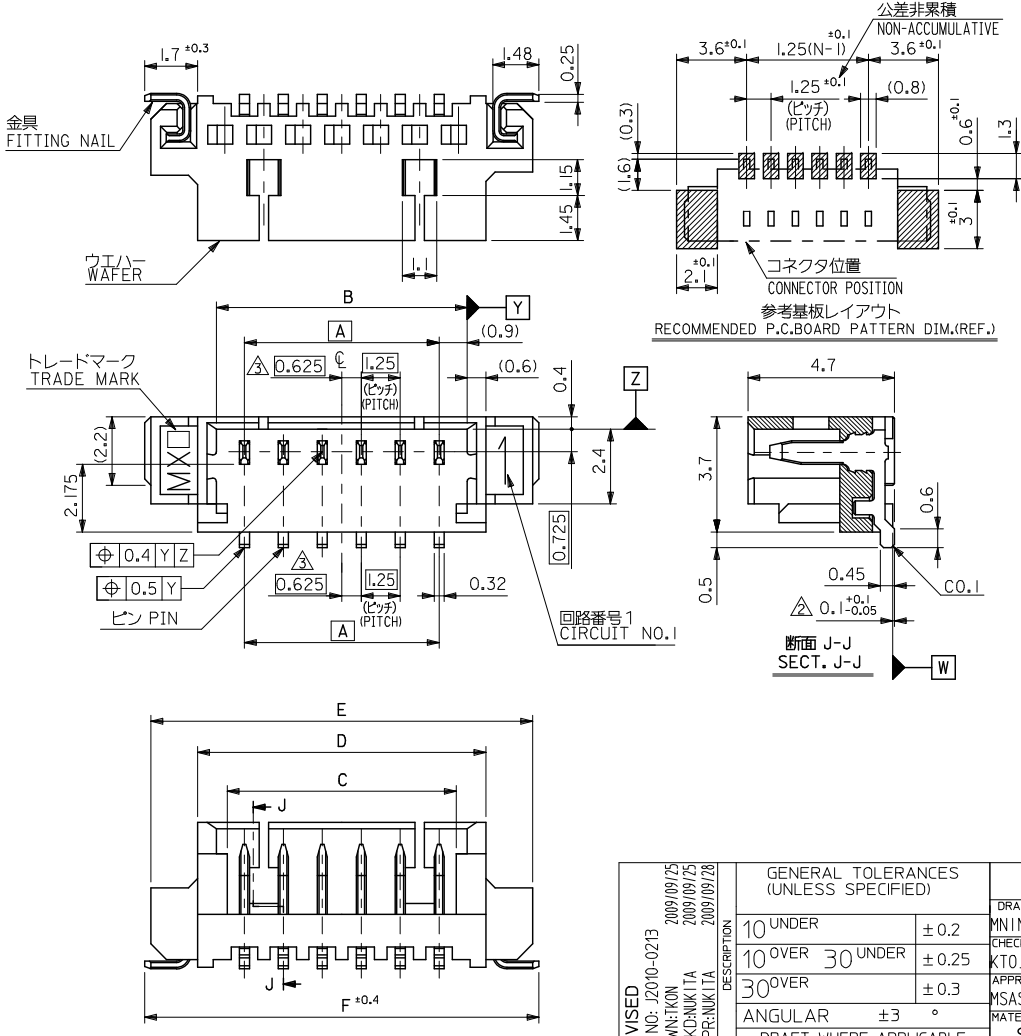
SPK-53398-001, SPK-53398-002
PS-51021-024, RPS-51021-038, RPS-51021-039,
RPS-51021-040, RPS-51021-043, RPS-51021-045,
RPS-51021-046, RPS-51021-047, RPS-51021-051,
RPS-51021-053, RPS-51021-057, RPS-51021-064,
RPS-51021-065, RPS-51021-067, RPS-51021-068,
RPS-51021-074, RPS-51021-077, RPS-51021-081,
RPS-51021-085, RPS-51021-086, RPS-51021-091,
RPS-51021-092, RPS-51021-097, RPS-51021-098,
RPS-51021-099, RPS-51021-101, RPS-53398-002,
RPS-53398-035, RPS-53398-038
SD-53398-032, SD-53398-033

Sales Drawing

This document was generated on 05/25/2010

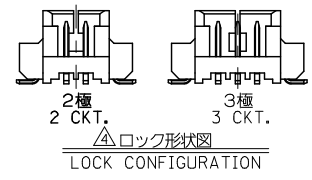
PLEASE CHECK WWW.MOLEX.COM FOR LATEST PART INFORMATION

10 9 8 7 6 5 4 3 2 1



注記 NOTES

- 嵌合相手 : 51021 シリーズ MATE WITH : 51021 SERIES
- 水平面上において、ウエハー底面 **W** とソルダーテール及びフィッティングネイル底面とのズレ量を示す。
MISALIGNMENT OF SOLDER TAIL & FITTING NAIL FROM **W**
- 偶数極にのみ適用。APPLY EVEN CIRCUIT PRODUCTS.
- ロック窓は、2、3極は1ヶ所、4極以上は2ヶ所とする。
LOCKING WINDOW : ONE PLACE FOR 2&3 CKTS.
TWO PLACES FOR MORE THAN 4 CKTS.
- 材質 MATERIAL PA, UL94V-0 COLOR:NATURAL
ウエハー :
WAFER :
ピン : リン青銅
PIN : PHOS-BRO
: 錫メッキ 1.0マイクromメートル以上
: MATTE TIN 1.0 MICROMETER MINIMUM
: ニッケル下地 1.0マイクromメートル以上
: NICKEL UNDER PLATING 1.0 MICROMETER MINIMUM
金具 : リン青銅
FITTING NAIL : PHOS-BRO
: 錫メッキ 1.0マイクromメートル以上
: MATTE TIN 1.0 MICROMETER MINIMUM
: ニッケル下地 1.0マイクromメートル以上
: NICKEL UNDER PLATING 1.0 MICROMETER MINIMUM
- 本製品は 53398-***10 の鉛フリー品である。
THIS PRODUCT IS LEAD FREE OF 53398-***10.



REVISED EC NO: J2010-0213 DRAWN BY CHYDANKI TA APPROVED BY APPRNKI TA	DESCRIPTION 2009/09/25 2009/09/25 2009/09/28	GENERAL TOLERANCES (UNLESS SPECIFIED)		DIMENSION STYLE MM ONLY		SCALE	53398-***19	MODEL NO.
		10 UNDER	±0.2	DRAWN BY	DATE	TITLE	DESIGN UNITS	THIRD ANGLE PROJECTION
		10 OVER 30 UNDER	±0.25	MINOMIYA	04/02/06	1.25 W/B CONN. ASS'Y FOR SMT(ST.) -LEAD FREE-	METRIC	
		30 OVER	±0.3	CHECKED BY	DATE			
		ANGULAR	±3 °	APPROVED BY	DATE			
		DRAFT WHERE APPLICABLE MUST REMAIN WITHIN DIMENSIONS		MSASAO	04/02/06			
				MATERIAL NO.	SEE SHEET 2		MOLEX INCORPORATED	
				SIZE	THIS DRAWING CONTAINS INFORMATION THAT IS PROPRIETARY TO MOLEX INCORPORATED AND SHOULD NOT BE USED WITHOUT WRITTEN PERMISSION		DOCUMENT NO.	SHEET NO.
							SD-53398-032	1 OF 2

10 9 8 7 6 5 4 3 2 1

23.9	23.5	20.5	18.6	19.3	17.5	53398-1571	15
22.65	22.25	19.25	17.35	18.05	16.25	53398-1471	14
21.4	21	18	16.1	16.8	15	53398-1371	13
20.15	19.75	16.75	14.85	15.55	13.75	53398-1271	12
18.9	18.5	15.5	13.6	14.3	12.5	53398-1171	11
17.65	17.25	14.25	12.35	13.05	11.25	53398-1071	10
16.4	16	13	11.1	11.8	10	53398-0971	9
15.15	14.75	11.75	9.85	10.55	8.75	53398-0871	8
13.9	13.5	10.5	8.6	9.3	7.5	53398-0771	7
12.65	12.25	9.25	7.35	8.05	6.25	53398-0671	6
11.4	11	8	6.1	6.8	5	53398-0571	5
10.15	9.75	6.75	4.85	5.55	3.75	53398-0471	4
8.9	8.5	5.5	3.6	4.3	2.5	53398-0371	3
7.65	7.25	4.25	2.35	3.05	1.25	53398-0271	2
F	E	D	C	B	A	EMBOSSED TAPE PKG. (HIGH BARRIER PKG.) ORDER No.	REV. NO. OF CXTS.

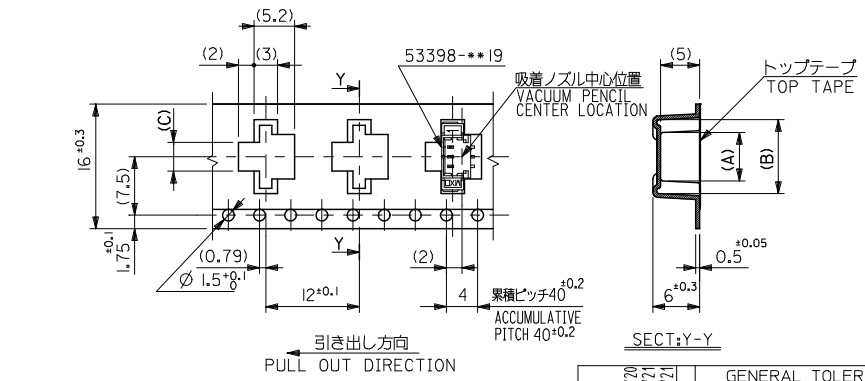
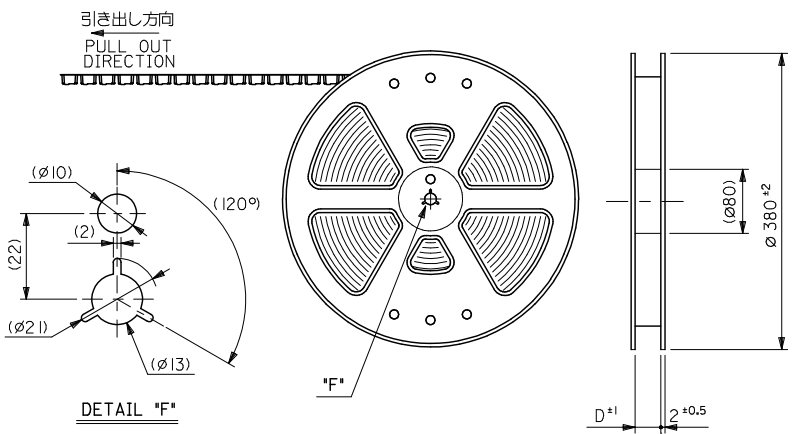
CONNECTOR SERIES NO. 53398-**19

REVISED EC NO: J2010-0213 DRAWN BY CHYKUNIKITA 2009/09/25 APPR. BY APPR. BY 2009/09/28	GENERAL TOLERANCES (UNLESS SPECIFIED)		DIMENSION STYLE MM ONLY		SCALE ---	DESIGN UNITS METRIC	THIRD ANGLE PROJECTION	
	10 UNDER	±0.2	DRAWN BY MININOMIYA	DATE 04/02/06	TITLE 1.25 W/B CONN. ASS'Y FOR SMT(ST.) -LEAD FREE-			
	10 OVER 30 UNDER	±0.25	CHECKED BY KT0JO	DATE 04/02/06	MOLEX INCORPORATED			
	30 OVER	±0.3	APPROVED BY MSASAO	DATE 04/02/06	DOCUMENT NO. SD-53398-032		SHEET NO. 2 OF 2	
ANGULAR ±3 °		DRAFT WHERE APPLICABLE MUST REMAIN WITHIN DIMENSIONS		MATERIAL NO. SEE TABLE		SIZE A3		

ib_frame_A3_J_ME_S
Rev. E 2006/04/15

9 8 7 6 5 4 3 2 EN-02JA(021)

10 9 8 7 6 5 4 3 2 1

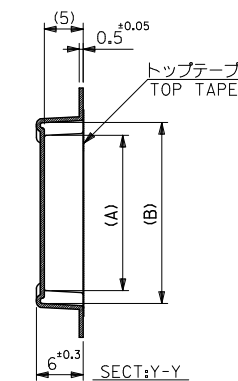
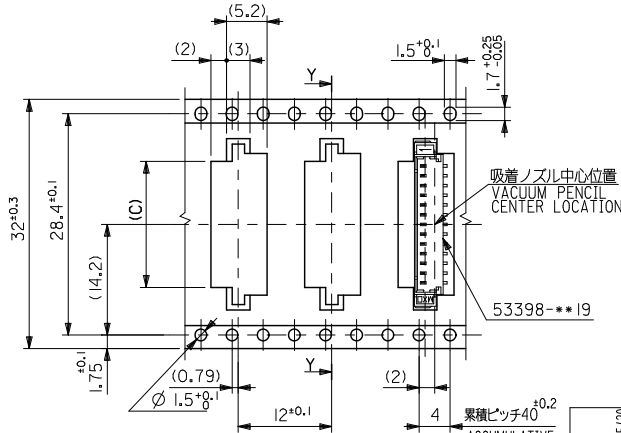
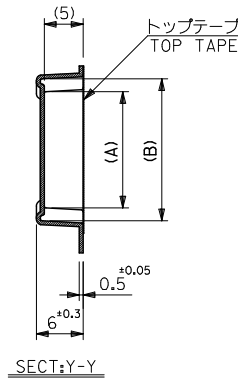
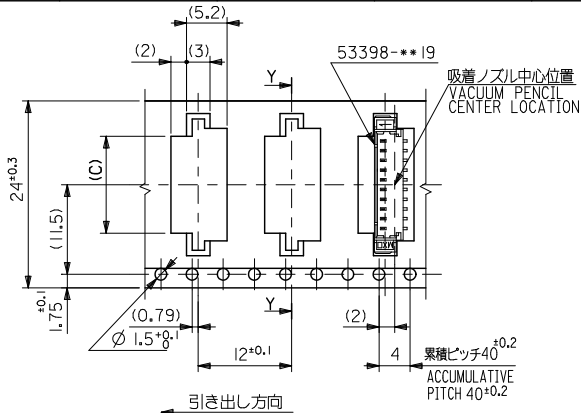


- NOTES**
- 梱包数量：1000個/リール
NUMBER OF CONNECTOR: 1000PCS/REEL
 - リードテープ長さ
LEAD TAPE LENGTH
トップテープ未接着部
TOP TAPE NON-BONDED PART 25 ± 10
空エンボス 20 ~ 25PCS.
NUMBER OF EMPTY PART
部品挿入部
COMPONENT SUPPLIER
末端部 (空部)
TAIL PART (EMPTY) 360 ± 35
480 ± 80
引き出し方向
PULL OUT DIRECTION
 - トップテープの剥離強度：0.6 ± 0.35N(60 ± 35gf) (剥離方向は下図参照)
PEELING OFF FORCE OF TOP TAPE: 0.6 ± 0.35N(60 ± 35gf)
(PEELING DIRECTION IS SHOWN IN FOLLOWING FIG.)
<剥離速度：300mm/min (参考)>
PEELING SPEED: 300mm/min. (REFERENCE)
引き出し方向
PULL OUT DIRECTION
剥離方向
PEEL OFF DIRECTION 10°
 - 53398-***19の詳細寸法については図面SD-53398-032を参照下さい。
RE DETAILED DIMENSIONS, SEE SD-53398-032.
 - 材料 (MATERIAL)
キャリアテープ (CARRIER TAPE): ポリプロピレン (POLYPROPYLENE)
トップテープ (TOP TAPE): PET, PE, PEF
リール (REEL): ポリスチレン (PS) <リサイクル材含む>
POLYSTYRENE (PS) <RECYCLE MATERIAL CONTAINED>
 - 本製品は53398-***90の鉛フリー品である。
THIS PRODUCT IS LEAD FREE OF 53398-***90.
 - 本製品は乾燥剤入り、ハイバリア梱包仕様である。
THIS PRODUCT IS HIGH BARRIER PACKAGE WITH DESICCANT.

16	21.4	17.4	3.7	9.5	5.8	53398-037I	3
キャリアテープ幅 CARRIER TAPE WIDTH	E	D	(C)	(B)	(A)	53398-027I	2
						MATERIAL NO.	種数 CKT.

REVISED EC NO: J2009-2060 DRAWN BY CHYKHMATSUMOTO 2009/05/21 APPROVED BY APPRIENIKITA 2009/05/21	DESCRIPTION	GENERAL TOLERANCES (UNLESS SPECIFIED)		DIMENSION STYLE MM ONLY		SCALE	DESIGN UNITS	THIRD ANGLE PROJECTION
		10 UNDER	±0.2	DRAWN BY NINOMIYA	DATE '04/02/06	TITLE 1.25 W/B CONN WAFER ASSY FOR SMT. EMBSTP. PKG. -LEAD FREE-	MOLEX INCORPORATED	DOCUMENT NO. SD-53398-033
		10 OVER 30 UNDER	±0.25	CHECKED BY K. TOJO	DATE '04/02/06			
		30 OVER	±0.3	APPROVED BY M. SASAO	DATE '04/02/06			
ANGULAR ±3 °		MATERIAL NO. SEE TABLE & SHEET 2.3	SHEET NO. 1 OF 3					
DRAFT WHERE APPLICABLE MUST REMAIN WITHIN DIMENSIONS		SIZE A3		THIS DRAWING CONTAINS INFORMATION THAT IS PROPRIETARY TO MOLEX INCORPORATED AND SHOULD NOT BE USED WITHOUT WRITTEN PERMISSION				

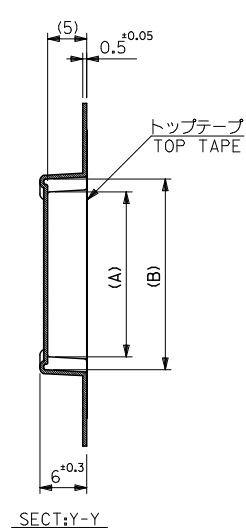
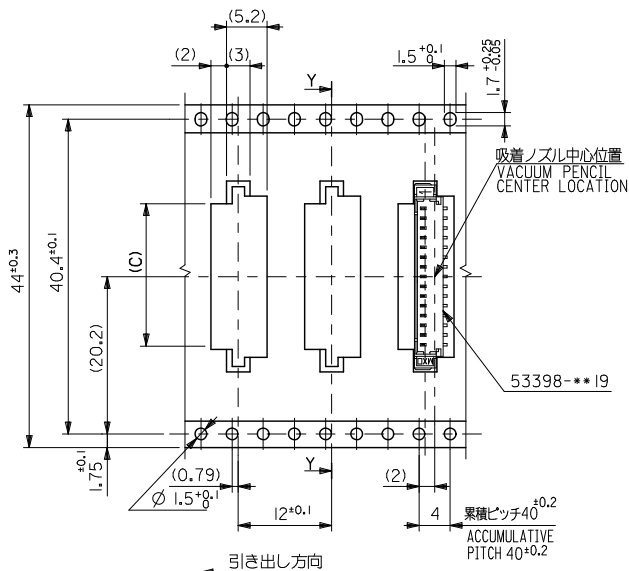
10 9 8 7 6 5 4 3 2 1



32	37.4	33.4	16.2	22	18.3	53398-1371	13	
24	29.4	25.4	14.95	20.75	17.05	-127I	12	
			13.7	19.5	15.8	-117I	11	
			12.45	18.25	14.55	-107I	10	
			11.2	17	13.3	-097I	9	
			9.95	15.75	12.05	-087I	8	
			8.7	14.5	10.8	-077I	7	
			7.45	13.25	9.55	-067I	6	
6.2	12	8.3	-057I	5				
4.95	10.75	7.05	53398-047I	4				
キャリアテープ幅 CARRIER TAPE WIDTH		E	D	(C)	(B)	(A)	MATERIAL NO.	種数 CKT.

REVISED ELC NO: J2009-2060 DRAWN BY: CHYKOHMATSUMOTO APPR: APRR: NIKITA DATE: 2009/05/20 2009/05/21 2009/05/21	GENERAL TOLERANCES (UNLESS SPECIFIED)		DIMENSION STYLE MM ONLY		SCALE ---	DESIGN UNITS METRIC	THIRD ANGLE PROJECTION
	10 UNDER	±0.2	DRAWN BY NINOMIYA	DATE '04/02/06	TITLE 1.25 W/B CONN WAFER ASSY FOR SMT. EMBSTP. PKG. -LEAD FREE-		
	10 OVER 30 UNDER	±0.25	CHECKED BY K. TOJO	DATE '04/02/06	MOLEX INCORPORATED		
	30 OVER	±0.3	APPROVED BY M. SASAO	DATE '04/02/06	DOCUMENT NO. SD-53398-033		
	ANGULAR ±3°		MATERIAL NO. SEE TABLE & SHEET 1,3		SHEET NO. 2 OF 3		
DRAFT WHERE APPLICABLE MUST REMAIN WITHIN DIMENSIONS		SIZE 3 THIS DRAWING CONTAINS INFORMATION THAT IS PROPRIETARY TO MOLEX INCORPORATED AND SHOULD NOT BE USED WITHOUT WRITTEN PERMISSION					

10 9 8 7 6 5 4 3 2 1



44幅テープ (TAPE WIDTH:44)

44	49.4	45.4	18.7	24.5	20.8	53398-1571	15
キャリアテープ幅 CARRIER TAPE WIDTH	E	D	(C)	(B)	(A)	MATERIAL NO.	種数 CKT.

REVISED EC NO: J2009-2060 DRAWN BY: NINOMIYA CHECKED BY: K. TOJO APPROVED BY: M. SASAO DATE: 2009/05/20 DATE: 2009/05/21 DATE: 2009/05/21	GENERAL TOLERANCES (UNLESS SPECIFIED)		DIMENSION STYLE MM ONLY		SCALE ---	DESIGN UNITS METRIC	THIRD ANGLE PROJECTION
	10 UNDER	±0.2	DRAWN BY NINOMIYA		TITLE 1.25 W/B CONN WAFER ASSY FOR SMT. EMBSTP. PKG. -LEAD FREE-		
	10 OVER 30 UNDER	±0.25	DATE '04/02/06		MOLEX INCORPORATED DOCUMENT NO. SD-53398-033 SHEET NO. 3 OF 3		
	30 OVER	±0.3	DATE '04/02/06				
ANGULAR ±3 °		MATERIAL NO. SEE TABLE & SHEET 12		SIZE A3 THIS DRAWING CONTAINS INFORMATION THAT IS PROPRIETARY TO MOLEX INCORPORATED AND SHOULD NOT BE USED WITHOUT WRITTEN PERMISSION			
DRAFT WHERE APPLICABLE MUST REMAIN WITHIN DIMENSIONS							