

PLEASE CHECK WWW.MOLEX.COM FOR LATEST PART INFORMATION

Part Number: [0527451397](#)
Status: **Active**
Overview:
Description: 0.50mm (.020") Pitch FFC/FPC Connector, Right Angle, SMT, ZIF, Top Contact Style, 13 Circuits, Lead-free, Gold (Au) Contact Plating, High Barrier Packaging

Agency Certification

UL E29179

General

Product Family FFC/FPC Connectors
 Series [52745](#)
 Overview [ffc_fpc_smt](#)
 Product Name N/A

Physical

Circuits (Loaded) 13
 Color - Resin Black, White
 Contact Position Top
 Durability (mating cycles max) 20
 Entry Angle 90° Angle
 Flammability 94V-0
 Mated Height (in) 0.079 In
 Mated Height (mm) 2.00 mm
 Material - Metal Phosphor Bronze
 Material - Plating Mating Gold
 Material - Plating Termination Gold
 Number of Rows 1
 Orientation Right Angle
 PCB Locator No
 PCB Retention Yes
 Packaging Type Embossed Tape on Reel
 Pitch - Mating Interface (in) 0.020 In
 Pitch - Mating Interface (mm) 0.50 mm
 Polarized to PCB Yes
 Stackable No
 Temperature Range - Operating -20°C to +85°C
 Termination Interface: Style Surface Mount
 Wire/Cable Type FFC/FPC

Electrical

Current - Maximum per Contact 0.5A
 Voltage - Maximum 50V

Material Info

Reference - Drawing Numbers

Application Specification AS-52745-001
 Packaging Specification SPK-52745-001, SPK-52745-002
 Product Specification PS-52745-051, RPS-52745-056, RPS-52745-060, RPS-52745-061, RPS-52745-062, RPS-52745-063, RPS-52745-064, RPS-52745-065, RPS-52745-066, RPS-52745-068, RPS-52745-071, RPS-52745-072, RPS-52745-074, RPS-52745-075, RPS-52745-077
 Sales Drawing SD-52745-050, SD-52745-051

EU RoHS
ELV and RoHS
Compliant

REACH SVHC
 Not Reviewed
Halogen-Free
Status

Not Reviewed

Need more information on product environmental compliance?

Email productcompliance@molex.com
 For a multiple part number RoHS Certificate of Compliance, [click here](#)

Please visit the [Contact Us](#) section for any non-product compliance questions.

China RoHS

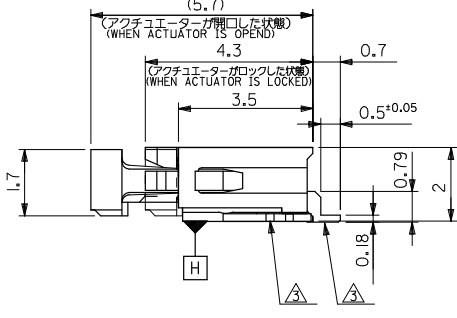
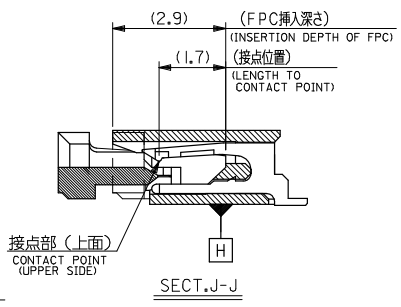
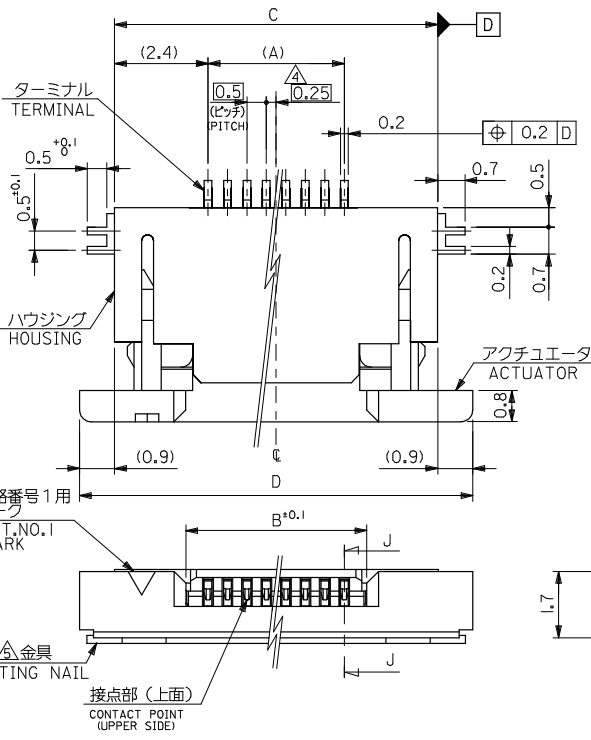


Search Parts in this Series
[52745Series](#)

This document was generated on 06/05/2010

PLEASE CHECK WWW.MOLEX.COM FOR LATEST PART INFORMATION

10 9 8 7 6 5 4 3 2 1



注記 NOTES

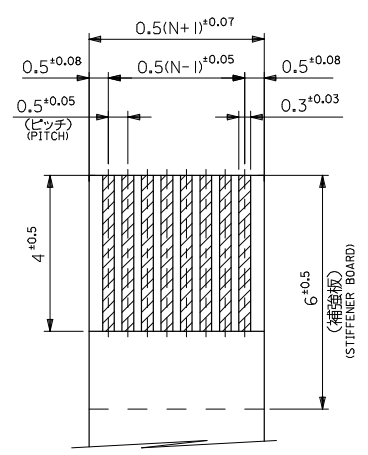
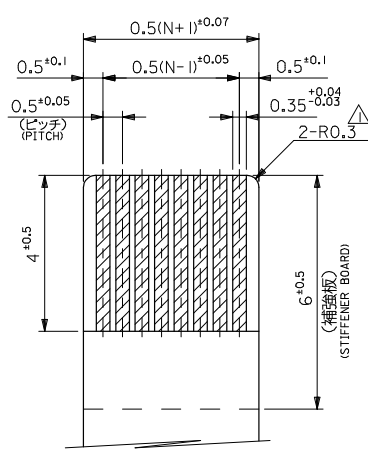
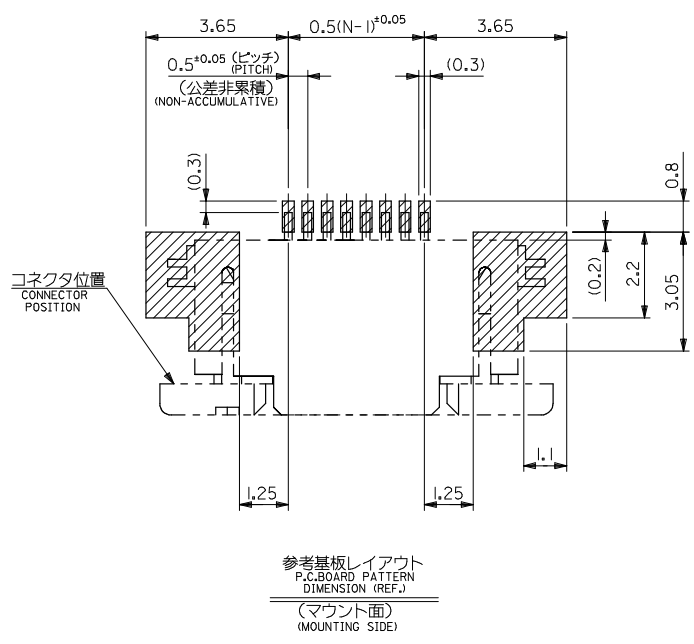
- L 使用材料 MATERIAL
- ハウジング : ポリアミド46, ガラス充填, UL94V-0 (白)
 - ハウジング : POLYAMIDE46, GLASS FILLED, UL94V-0(WHITE)
 - アクチュエータ : ポリフェニレンサルファイド ガラス充填, UL94V-0 (黒)
 - アクチュエータ : POLYPHENYLENE SULFIDE, GLASS FILLED, UL94V-0(BLACK)
 - ターミナル : リン青銅 (t=0.2)
 - ターミナル : PHOSPOR BRONZE
 - メッキ : コントラクト部: 金メッキ 0.1マイクロメートル以上
 - メッキ : テール部: 金メッキ 0.05マイクロメートル以上
 - メッキ : 下地: ニッケル 1.0マイクロメートル以上
- PLATED CONTACT AREA - GOLD 0.1 MICROMETER MINIMUM
TAIL AREA - GOLD 0.05 MICROMETER MINIMUM
UNDER PLATING - NICKEL 1.0 MICROMETER MINIMUM
- 金具 : リン青銅, ニッケル下地 銅メッキ (t=0.2)
- FITTING NAIL : PHOSPOR BRONZE, TIN OVER NICKEL PLATING
2. エンボステープ梱包時は、アクチュエータがロックした状態とする。
IN THE PACKAGE ACTUATOR OF PART NO.52745-***59 SHOULD BE LOCKED.
- △ソルダーテール半田付け面の寸法、及び金具半田付け面の寸法は、基準面 H に対し上方 0.1 MAX. 下方 0.15 MAX. とする。
MISALIGNMENT OF SOLDER TAILS AND FITTING NAILS FROM H UPPER DIRECTION: 0.1 MAX. . LOWER DIRECTION: 0.15 MAX.
- △異数値に適用。
APPLY FOR EVEN CIRCUIT.
- △パターンはくり止め用金具
FITTING NAIL FOR PREVENTION OF PEELING OF P.C.B. PATTERN.
6. 本製品は 54745-***17 の部分金メッキ品である。
THIS PRODUCT IS SELECTIVE GOLD PLATING OF 52745-***17.

16.1	14.3	10.65	9.5	52745-2097	52745-2059	20
15.6	13.8	10.15	9.0	-1997	-1959	19
15.1	13.3	9.65	8.5	-1897	-1859	18
14.6	12.8	9.15	8.0	-1797	-1759	17
14.1	12.3	8.65	7.5	-1697	-1659	16
13.6	11.8	8.15	7.0	-1597	-1559	15
13.1	11.3	7.65	6.5	-1497	-1459	14
12.6	10.8	7.15	6.0	-1397	-1359	13
12.1	10.3	6.65	5.5	-1297	-1259	12
11.6	9.8	6.15	5.0	-1197	-1159	11
11.1	9.3	5.65	4.5	-1097	-1059	10
10.6	8.8	5.15	4.0	-0997	-0959	9
10.1	8.3	4.65	3.5	-0897	-0859	8
9.6	7.8	4.15	3.0	-0797	-0759	7
9.1	7.3	3.65	2.5	-0697	-0659	6
8.1	6.3	2.65	1.5	52745-0497	52745-0459	4
D	C	B	(A)	EMBOSSED TAPE	MATERIAL NO.	極数
				ORDER No. 9-ター-88		CIRCUIT

52745-***59 MODEL NO.

REVISED EC NO: J2008-4308 DRAWN BY: M.NABEI CHECKED BY: K.TOJO APPROVED BY: N.UKITA DATE: 2008/06/27 DATE: 2008/06/30 DATE: 2008/06/30	GENERAL TOLERANCES (UNLESS SPECIFIED)		DIMENSION STYLE MM ONLY		SCALE ---	DESIGN UNITS METRIC	THIRD ANGLE PROJECTION
	10 UNDER	±0.2	DRAWN BY M.NABEI	DATE '05/02/14	TITLE 0.5 FPC CONN ASSY ZIF UPR CONT -LEAD FREE-		
	10 OVER 30 UNDER	±0.25	CHECKED BY K.TOJO	DATE '05/02/14	MOLEX INCORPORATED		
	30 OVER	±0.3	APPROVED BY N.UKITA	DATE '05/02/14	DOCUMENT NO. SD-52745-050		
ANGULAR ±3 °		DRAFT WHERE APPLICABLE MUST REMAIN WITHIN DIMENSIONS		MATERIAL NO. SEE TABLE		SHEET NO. 1 OF 2	
SIZE A3				THIS DRAWING CONTAINS INFORMATION THAT IS PROPRIETARY TO MOLEX INCORPORATED AND SHOULD NOT BE USED WITHOUT WRITTEN PERMISSION			

10 9 8 7 6 5 4 3 2 1



FPCについて:
打抜き方向は導体側から補強板側を推奨致します。
補強フィルム材質はポリイミドを推奨致します。
接着剤は熱硬化接着剤を推奨致します。

ABOUT FPC:
RECOMMENDED PUNCHER DIRECTION : FROM CONDUCTOR SIDE TO STIFFENER BOARD SIDE.
RECOMMENDED MATERIAL :
STIFFENER FILM : POLYIMIDE
BONDING AGENT : THERMOSETTING BONDING AGENT

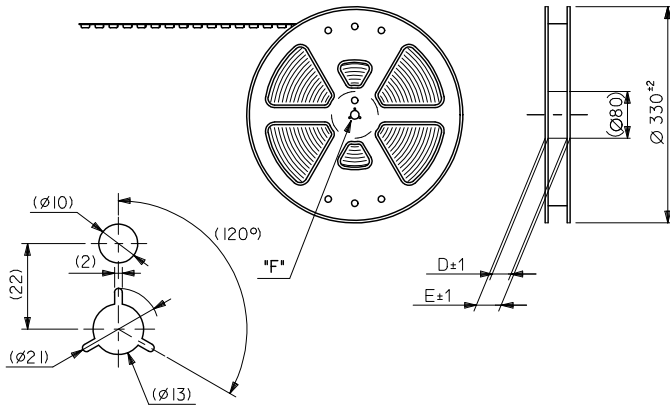
注記 NOTES
△ R0.3は、FPCの導体部にかからないこと。
R0.3 MUST NOT BE OVERLAPPED TO PATTERN OF FPC.

52745-**-591 MODEL NO.

REVISED EC NO: J2008-4308 DRAWN BY: M.NABEI 2008/06/27 CHKD: THARYAMA 2008/06/30 APPR: NIKITA 2008/06/30	GENERAL TOLERANCES (UNLESS SPECIFIED)		DIMENSION STYLE MM ONLY	SCALE ---	DESIGN UNITS METRIC	THIRD ANGLE PROJECTION
	10 UNDER	±0.2	DRAWN BY M.NABEI	DATE '05/02/14	TITLE 0.5 FPC CONN ASSY ZIF UPR CONT -LEAD FREE-	
	10 OVER 30 UNDER	±0.25	CHECKED BY K.TOJO	DATE '05/02/14		
	30 OVER	±0.3	APPROVED BY N.UKITA	DATE '05/02/14	MOLEX INCORPORATED	
ANGULAR ±3 °	DRAFT WHERE APPLICABLE MUST REMAIN WITHIN DIMENSIONS	MATERIAL NO. SEE SHEET 1	DOCUMENT NO. SD-52745-050	SHEET NO. 2 OF 2		

10 9 8 7 6 5 4 3 2 1

引き出し方向
PULL OUT
DIRECTION



DETAIL "F"

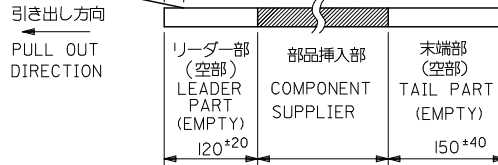
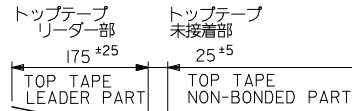
5. 材料 キャリアテープ:ポリプロピレン (PP)
 トップテープ:PET, PE, PEF
 リール:ポリスチレン (PS) <リサイクル材を含む>
 MATERIAL CARRIER TAPE:POLYPROPYLENE
 TOP TAPE:PET,PE,PEF
 REEL:POLYSTYRENE(PS)
 <RECYCLE MATERIAL CONTAINED>

6. 本製品は 52745-**90 の鉛フリー品である。
 THIS PRODUCT IS LEAD FREE OF 52745-**90

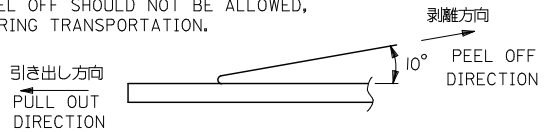
7. 本製品は乾燥剤入り、ハイバリア梱包仕様である。
 THIS PRODUCT IS HIGH BARRIER PACKAGE WITH DESICCANT.

注記 NOTES

- 製品番号 52745-**59 の梱包状態はアクチュエータがロックした状態とする。
 詳細寸法については図面 SD-52745-050 を参照下さい。
 IN THE PACKAGE,ACTUATOR OF PART NO.52745-**59 SHOULD BE LOCKED
 RE DETAILED DIMENSIONS,SEE SD-52745-050.
- 梱包数量:1000個/リール
 NUMBER OF CONNECTORS:1000PCS/REEL
- リードテープ長さ LEAD TAPE LENGTH



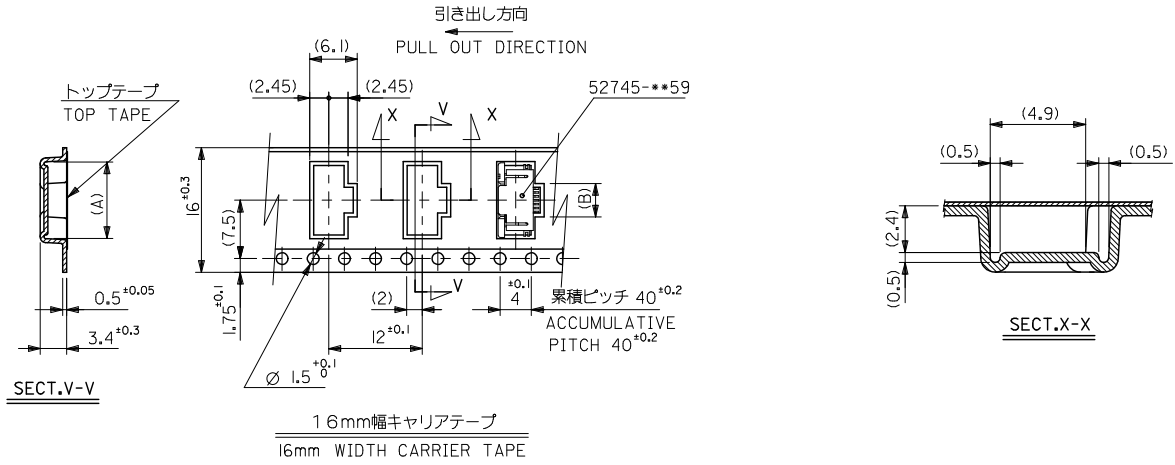
- トップテープの剥離強度: (剥離方向は下図参照)
 0.1N~1.3N (10gf~130gf) 尚、本規格値は、出荷時に適用。
 (但し、輸送時に剥離が発生しない事。)
 PEELING OFF FORCE OF TOP TAPE:
 0.1N~1.3N(10gf~130gf)(PEELING DIRECTION AS SHOWN IN FOLLOWING FIG.)
 THIS REQUIREMENT SHOULD BE APPLIED AT SHIPMENT
 PEEL OFF SHOULD NOT BE ALLOWED,
 DURING TRANSPORTATION.



52745-**97 MODEL NO.

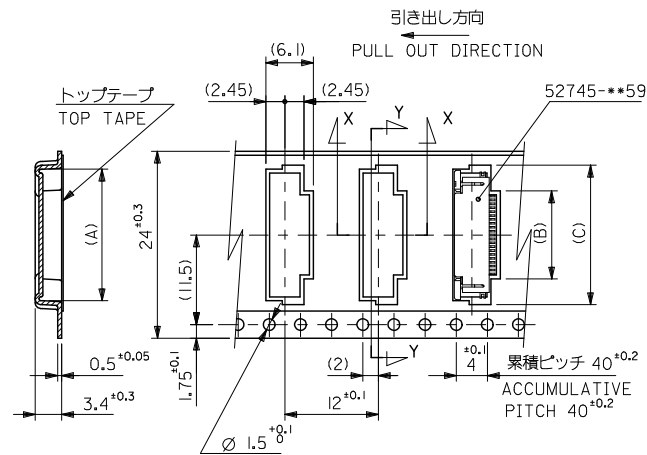
REVISED EC NO: J2009-2061 DRAWN BY CHYKHMATSUMOTO APPROVED BY APPR:NIKIITA	DESCRIPTION 2009/05/20 2009/05/21 2009/05/21	GENERAL TOLERANCES (UNLESS SPECIFIED)		DIMENSION STYLE MM ONLY		SCALE ---	DESIGN UNITS METRIC	THIRD ANGLE PROJECTION	
		10 UNDER	±---	DRAWN BY M.NABEI	DATE '05/02/14	TITLE 0.5 FPC CONN UPR CONT EMBSTP PKG -LEAD FREE-			
		10 OVER 30 UNDER	±---	CHECKED BY K.TOJO	DATE '05/02/14	MOLEX INCORPORATED			
		30 OVER	±---	APPROVED BY N.UKIITA	DATE '05/02/14	DOCUMENT NO. SD-52745-051			
ANGULAR ±---°		DRAFT WHERE APPLICABLE MUST REMAIN WITHIN DIMENSIONS		MATERIAL NO. SEE TABLE		SHEET NO. 1 OF 3		SIZE A3	
THIS DRAWING CONTAINS INFORMATION THAT IS PROPRIETARY TO MOLEX INCORPORATED AND SHOULD NOT BE USED WITHOUT WRITTEN PERMISSION									

10 9 8 7 6 5 4 3 2 1



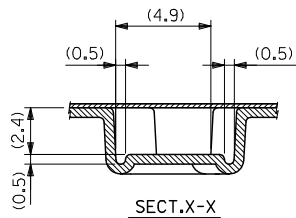
16	21.4	17.4	2.8	8.4	52745-0497	4
キャリアテープ幅 CARRIER TAPE WIDTH	E	D	(B)	(A)	MATERIAL NO.	極数 CIRCUIT

REVISED EC NO: J2009-2061 DRAWN BY: CHYKHMATSUMOTO 2009/05/21 APPROVED BY: AIPPURNIKITA 2009/05/21	GENERAL TOLERANCES (UNLESS SPECIFIED)		DIMENSION STYLE MM ONLY	SCALE ---	DESIGN UNITS METRIC	THIRD ANGLE PROJECTION
	10 UNDER	±---	DRAWN BY M.NABEI	DATE '05/02/14	TITLE 0.5 FPC CONN UPR CONT EMBSTP PKG -LEAD FREE-	
	10 OVER 30 UNDER	±---	CHECKED BY K.TOJO	DATE '05/02/14	MOLEX INCORPORATED	
	30 OVER	±---	APPROVED BY N.UKITA	DATE '05/02/14	DOCUMENT NO. SD-52745-051	SHEET NO. 2 OF 3
ANGULAR ±--- °		MATERIAL NO. SEE TABLE		THIS DRAWING CONTAINS INFORMATION THAT IS PROPRIETARY TO MOLEX INCORPORATED AND SHOULD NOT BE USED WITHOUT WRITTEN PERMISSION		
DRAFT WHERE APPLICABLE MUST REMAIN WITHIN DIMENSIONS		SIZE A3				



SECT.Y-Y

24mm幅キャリアテープ
24mm WIDTH CARRIER TAPE



SECT.X-X

24	29.4	25.4	17.4	10.8	16.4	52745-2097	20
			16.9	10.3	15.9	-1997	19
			16.4	9.8	15.4	-1897	18
			15.9	9.3	14.9	-1797	17
			15.4	8.8	14.4	-1697	16
			14.9	8.3	13.9	-1597	15
			14.4	7.8	13.4	-1497	14
			13.9	7.3	12.9	-1397	13
			13.4	6.8	12.4	-1297	12
			12.9	6.3	11.9	-1197	11
			12.4	5.8	11.4	-1097	10
			11.9	5.3	10.9	-0997	9
			11.4	4.8	10.4	-0897	8
			10.9	4.3	9.9	-0797	7
10.4	3.8	9.4	52745-0697	6			
キャリアテープ幅 CARRIER TAPE WIDTH	E	D	(C)	(B)	(A)	MATERIAL NO.	極数 CIRCUIT

REVISED E.C. NO: J2009-2061 DRAWN BY: CHYKHMATSUMOTO CHECKED BY: APPR: NUKITA DATE: 2009/05/21 DATE: 2009/05/21 DATE: 2009/05/21	GENERAL TOLERANCES (UNLESS SPECIFIED)		DIMENSION STYLE MM ONLY		SCALE ---	DESIGN UNITS METRIC	THIRD ANGLE PROJECTION
	10 UNDER	±---	DRAWN BY M.NABEI	DATE '05/02/14	TITLE 0.5 FPC CONN UPR CONT EMBSTP PKG -LEAD FREE-		
	10 OVER 30 UNDER	±---	CHECKED BY K.TOJO	DATE '05/02/14	MOLEX INCORPORATED		
	30 OVER	±---	APPROVED BY N.UKITA	DATE '05/02/14	DOCUMENT NO. SD-52745-051	SHEET NO. 3 OF 3	
	ANGULAR ±--- °	DRAFT WHERE APPLICABLE MUST REMAIN WITHIN DIMENSIONS	MATERIAL NO. SEE TABLE	SIZE A3	THIS DRAWING CONTAINS INFORMATION THAT IS PROPRIETARY TO MOLEX INCORPORATED AND SHOULD NOT BE USED WITHOUT WRITTEN PERMISSION		