

**PLEASE CHECK WWW.MOLEX.COM FOR LATEST PART INFORMATION**

**Part Number:** [0193172012](#)  
**Status:** **Active**  
**Overview:** [versakrimp\\_terminals\\_and\\_splices](#)  
**Description:** VersaKrimp™ SL Ring Type Connectors, Tin Plated Copper, Wire Size 300MCM-350MCM, 1/2" Stud Size

**Documents:**

[Drawing \(PDF\)](#) [RoHS Certificate of Compliance \(PDF\)](#)

**General**

Product Family	Ring and Spade Terminals
Series	19317
Comments	310.0A
Crimp Quality Equipment	Yes
Mil-Spec	N/A
Overview	<a href="#">versakrimp_terminals_and_splices</a>
Product Name	VersaKrimp™
Type	Ring

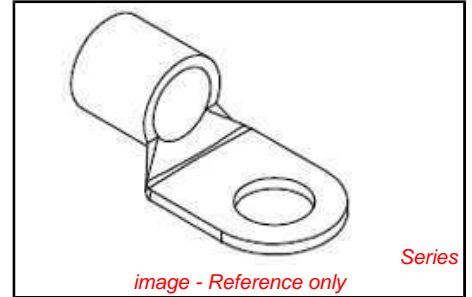
**Physical**

Barrel Type	Closed - Brazed
Insulation	None
Material - Metal	Copper
Material - Plating Mating	Tin
Packaging Type	Bag
Stud Size	1/2" (M12)
Wire Size AWG	300MCM, 350MCM

**Material Info**

**Reference - Drawing Numbers**

Sales Drawing	SD-19317-001
---------------	--------------



**EU RoHS**

**ELV and RoHS Compliant**  
**REACH SVHC Not Reviewed**  
**Halogen-Free Status Not Reviewed**

**China RoHS**



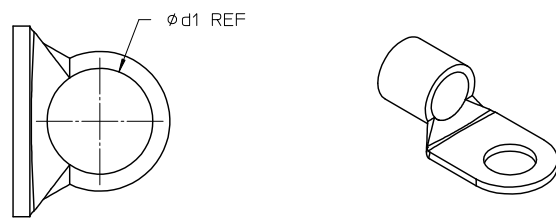
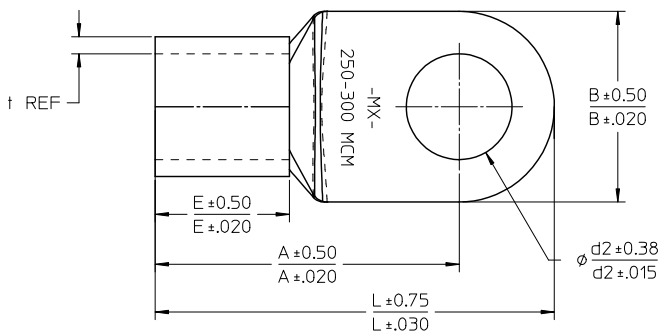
**Need more information on product environmental compliance?**

Email [productcompliance@molex.com](mailto:productcompliance@molex.com)  
 For a multiple part number RoHS Certificate of Compliance, [click here](#)

Please visit the [Contact Us](#) section for any non-product compliance questions.

**Search Parts in this Series**  
[19317Series](#)

**PLEASE CHECK WWW.MOLEX.COM FOR LATEST PART INFORMATION**

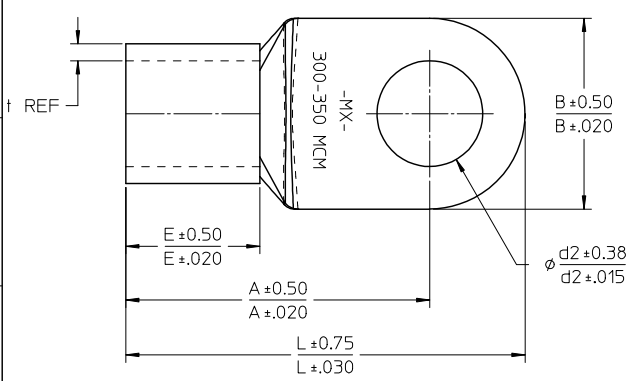


19317-4027 SHOWN

- NOTES:  
 1. MATERIAL: TIN PLATED COPPER  
 2. PRODUCT IS ROHS COMPLIANT  
 3. TERMINAL MARKED AS SHOWN

MATERIAL NO.	WIRE RANGE	RANGE	A		B		d1 $\phi$		d2 $\phi$		E		L		t	
			mm	inch	mm	inch	mm	inch	mm	inch	mm	inch	mm	inch	mm	inch
193171008	250-300	117-152	50.0	1.97	36.0	1.42	19.5	0.77	8.4	0.33	27.0	1.06	66.0	2.60	3.2	0.13
193171010	250-300	117-152	50.0	1.97	36.0	1.42	19.5	0.77	10.5	0.41	27.0	1.06	66.0	2.60	3.2	0.13
193171012	250-300	117-152	50.0	1.97	36.0	1.42	19.5	0.77	13.0	0.51	27.0	1.06	66.0	2.60	3.2	0.13
193171014	250-300	117-152	50.0	1.97	36.0	1.42	19.5	0.77	15.0	0.59	27.0	1.06	66.0	2.60	3.2	0.13
193171016	250-300	117-152	50.0	1.97	36.0	1.42	19.5	0.77	17.0	0.67	27.0	1.06	66.0	2.60	3.2	0.13
193171110	250-300	117-152	63.0	2.48	36.0	1.42	19.5	0.77	10.5	0.33	27.0	1.06	81.0	3.19	3.2	0.13
193171112	250-300	117-152	63.0	2.48	36.0	1.42	19.5	0.77	13.0	0.51	27.0	1.06	81.0	3.19	3.2	0.13
193171116	250-300	117-152	63.0	2.48	36.0	1.42	19.5	0.77	17.0	0.67	27.0	1.06	81.0	3.19	3.2	0.13
193171018	250-300	117-152	63.0	2.48	36.0	1.42	19.5	0.77	19.0	0.75	27.0	1.06	81.0	3.19	3.2	0.13
193171020	250-300	117-152	63.0	2.48	36.0	1.42	19.5	0.77	21.0	0.83	27.0	1.06	81.0	3.19	3.2	0.13
193171022	250-300	117-152	63.0	2.48	36.0	1.42	19.5	0.77	23.0	0.91	27.0	1.06	81.0	3.19	3.2	0.13
193171024	250-300	117-152	63.0	2.48	36.0	1.42	19.5	0.77	25.0	0.98	27.0	1.06	81.0	3.19	3.2	0.13
193171027	250-300	117-152	63.0	2.48	36.0	1.42	19.5	0.77	28.0	1.10	27.0	1.06	81.0	3.19	3.2	0.13

ENTER DESCRIPTION EC NO: WNAZ009-0877 T1 DRAWN/MODELL CHKD: 2009/06/30 APPR:RDEROSS 2009/07/01	QUALITY SYMBOLS ▽=0 ▽=0	GENERAL TOLERANCES (UNLESS SPECIFIED)		DIMENSION STYLE MM/IN		SCALE 1:2	DESIGN UNITS METRIC	THIRD ANGLE PROJECTION		
		4 PLACES ± --- ± ---	3 PLACES ± --- ± ---	2 PLACES ± --- ± ---	1 PLACE ± --- ± ---	DRAWN BY MODELL	DATE 2009/02/18	TITLE SL SERIES RING TYPE CONNECTORS 250-600MCM		
		ANGULAR ± --- °				CHECKED BY RDEROSS	DATE 2009/02/18	MOLEX INCORPORATED		
		DRAFT WHERE APPLICABLE MUST REMAIN WITHIN DIMENSIONS				APPROVED BY RDEROSS	DATE 2009/02/18	MATERIAL NO. SEE TABLE	DOCUMENT NO. SD-19317-001	SHEET NO. 1 OF 4

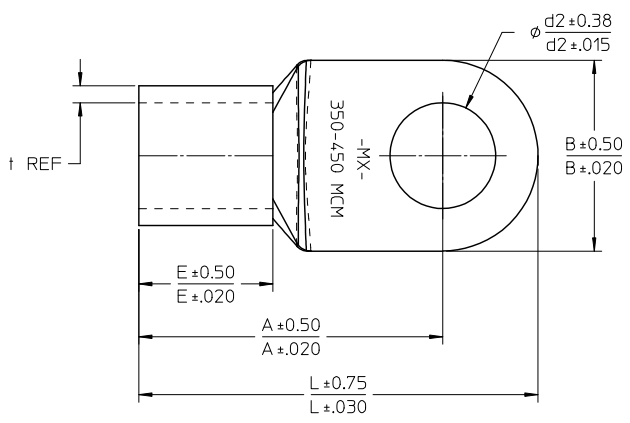


19317-4027 SHOWN

SEE NOTES ON SHEET 1

MATERIAL NO.	WIRE MCM	RANGE mm <sup>2</sup>	A		B		d1 $\phi$		E		L		mm		inch	
			mm	inch	mm	inch	mm	inch	mm	inch	mm	inch	t	t		
193172008	300-350	152-193	53.0	2.09	38.5	1.52	21.0	0.83	8.4	0.33	28.5	1.12	69.0	2.72	3.5	0.14
193172010	300-350	152-193	53.0	2.09	38.5	1.52	21.0	0.83	10.5	0.41	28.5	1.12	69.0	2.72	3.5	0.14
193172012	300-350	152-193	53.0	2.09	38.5	1.52	21.0	0.83	13.0	0.51	28.5	1.12	69.0	2.72	3.5	0.14
193172014	300-350	152-193	53.0	2.09	38.5	1.52	21.0	0.83	15.0	0.59	28.5	1.12	69.0	2.72	3.5	0.14
193172016	300-350	152-193	53.0	2.09	38.5	1.52	21.0	0.83	17.0	0.67	28.5	1.12	69.0	2.72	3.5	0.14
193172112	300-350	152-193	53.0	2.09	38.5	1.52	21.0	0.83	13.0	0.51	28.5	1.12	69.0	2.72	3.5	0.14
193172116	300-350	152-193	53.0	2.09	38.5	1.52	21.0	0.83	17.0	0.67	28.5	1.12	69.0	2.72	3.5	0.14
193172018	300-350	152-193	67.5	2.66	38.5	1.52	21.0	0.83	19.0	0.75	28.5	1.12	86.8	3.42	3.5	0.14
193172020	300-350	152-193	67.5	2.66	38.5	1.52	21.0	0.83	21.0	0.83	28.5	1.12	86.8	3.42	3.5	0.14
193172022	300-350	152-193	67.5	2.66	38.5	1.52	21.0	0.83	23.0	0.91	28.5	1.12	86.8	3.42	3.5	0.14
193172024	300-350	152-193	67.5	2.66	38.5	1.52	21.0	0.83	25.0	0.98	28.5	1.12	86.8	3.42	3.5	0.14
193172027	300-350	152-193	67.5	2.66	38.5	1.52	21.0	0.83	28.0	1.10	28.5	1.12	86.8	3.42	3.5	0.14

ENTER DESCRIPTION EC NO: WNAZ009-0877 DRAWN BY: MODELL CHKD: RDEROSS APPR: RDEROSS DATE: 2009/06/29 DATE: 2009/06/30 DATE: 2009/07/01	QUALITY SYMBOLS ▽=0 ▽=0	GENERAL TOLERANCES (UNLESS SPECIFIED)		DIMENSION STYLE MM/IN		SCALE 1:2		DESIGN UNITS METRIC		THIRD ANGLE PROJECTION	
		4 PLACES ± --- ± ---		DRAWN BY: MODELL DATE: 2009/02/18		SL SERIES RING TYPE CONNECTORS 250-600MCM MOLEX INCORPORATED					
		3 PLACES ± --- ± ---		CHECKED BY: RDEROSS DATE: 2009/02/18							
		2 PLACES ± --- ± ---		APPROVED BY: RDEROSS DATE: 2009/02/18							
1 PLACE ± --- ± ---		MATERIAL NO. SEE TABLE DOCUMENT NO. SD-19317-001									
ANGULAR ± --- °		DRAFT WHERE APPLICABLE MUST REMAIN WITHIN DIMENSIONS		SIZE B		THIS DRAWING CONTAINS INFORMATION THAT IS PROPRIETARY TO MOLEX INCORPORATED AND SHOULD NOT BE USED WITHOUT WRITTEN PERMISSION					
SHEET NO. 2 OF 4											

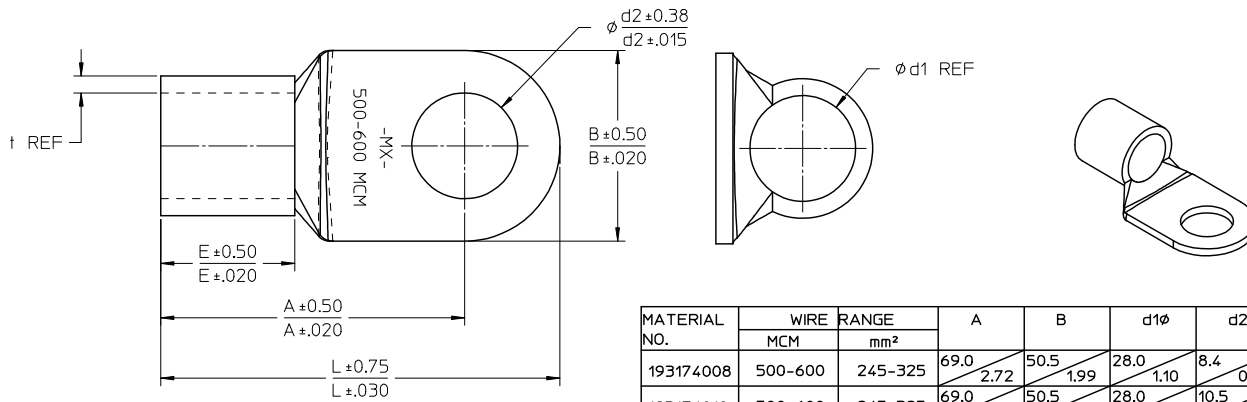


19317-4027 SHOWN

SEE NOTES ON SHEET 1

MATERIAL NO.	WIRE RANGE		A		B	d1 $\phi$		d2 $\phi$		E		L		mm / inch		
	MCM	mm	mm	inch	mm	mm	mm	inch	mm	inch	mm	inch	mm	inch	t	
193173008	350-450	193-242	56.0	2.20	44.0	1.73	24.0	0.94	8.4	0.33	31.5	1.24	72.0	2.83	4.0	0.16
193173010	350-450	193-242	56.0	2.20	44.0	1.73	24.0	0.94	10.5	0.41	31.5	1.24	72.0	2.83	4.0	0.16
193173012	350-450	193-242	56.0	2.20	44.0	1.73	24.0	0.94	13.0	0.51	31.5	1.24	72.0	2.83	4.0	0.16
193173014	350-450	193-242	56.0	2.20	44.0	1.73	24.0	0.94	15.0	0.59	31.5	1.24	72.0	2.83	4.0	0.16
193173016	350-450	193-242	56.0	2.20	44.0	1.73	24.0	0.94	17.0	0.67	31.5	1.24	72.0	2.83	4.0	0.16
193173112	350-450	193-242	56.0	2.20	44.0	1.73	24.0	0.94	13.0	0.51	31.5	1.24	72.0	2.83	4.0	0.16
193173116	350-450	193-242	56.0	2.20	44.0	1.73	24.0	0.94	17.0	0.67	31.5	1.24	72.0	2.83	4.0	0.16
193173018	350-450	193-242	69.0	2.72	44.0	1.73	24.0	0.94	19.0	0.75	31.5	1.24	91.0	3.58	4.0	0.16
193173020	350-450	193-242	69.0	2.72	44.0	1.73	24.0	0.94	21.0	0.83	31.5	1.24	91.0	3.58	4.0	0.16
193173022	350-450	193-242	69.0	2.72	44.0	1.73	24.0	0.94	23.0	0.91	31.5	1.24	91.0	3.58	4.0	0.16
193173024	350-450	193-242	69.0	2.72	44.0	1.73	24.0	0.94	25.0	0.98	31.5	1.24	91.0	3.58	4.0	0.16
193173027	350-450	193-242	69.0	2.72	44.0	1.73	24.0	0.94	28.0	1.10	31.5	1.24	91.0	3.58	4.0	0.16

<b>ENTER DESCRIPTION</b> EC NO: WNAZ009-0877 2009/06/29 TIDRAW:MODELL 2009/06/30 CHKD: 2009/07/01 APPR:RDEROSS 2009/07/01 REV DESCRIPTION	QUALITY SYMBOLS ▽=0 ▽=0	GENERAL TOLERANCES (UNLESS SPECIFIED) mm INCH 4 PLACES ± --- ± --- 3 PLACES ± --- ± --- 2 PLACES ± --- ± --- 1 PLACE ± --- ± --- ANGULAR ± ---°	DIMENSION STYLE MM/IN DRAWN BY MODELL DATE 2009/02/18 CHECKED BY RDEROSS DATE 2009/02/18 APPROVED BY RDEROSS DATE 2009/02/18	SCALE 1:2 DESIGN UNITS METRIC THIRD ANGLE PROJECTION	TITLE SL SERIES RING TYPE CONNECTORS 250-600MCM MOLEX INCORPORATED	MATERIAL NO. SEE TABLE DOCUMENT NO. SD-19317-001 SHEET NO. 3 OF 4
	DRAFT WHERE APPLICABLE MUST REMAIN WITHIN DIMENSIONS		THIS DRAWING CONTAINS INFORMATION THAT IS PROPRIETARY TO MOLEX INCORPORATED AND SHOULD NOT BE USED WITHOUT WRITTEN PERMISSION			



19317-4027 SHOWN

SEE NOTES ON SHEET 1

MATERIAL NO.	WIRE MCM	RANGE mm <sup>2</sup>	A		B		d1		d2		E		L		t	
			mm	inch	mm	inch	mm	inch	mm	inch	mm	inch	mm	inch	mm	inch
193174008	500-600	245-325	69.0	2.72	50.5	1.99	28.0	1.10	8.4	0.33	35.5	1.40	88.0	3.46	4.5	0.18
193174010	500-600	245-325	69.0	2.72	50.5	1.99	28.0	1.10	10.5	0.41	35.5	1.40	88.0	3.46	4.5	0.18
193174012	500-600	245-325	69.0	2.72	50.5	1.99	28.0	1.10	13.0	0.51	35.5	1.40	88.0	3.46	4.5	0.18
193174014	500-600	245-325	69.0	2.72	50.5	1.99	28.0	1.10	15.0	0.59	35.5	1.40	88.0	3.46	4.5	0.18
193174016	500-600	245-325	69.0	2.72	50.5	1.99	28.0	1.10	17.0	0.67	35.5	1.40	88.0	3.46	4.5	0.18
193174112	500-600	245-325	80.5	3.17	50.5	1.99	28.0	1.10	13.0	0.51	35.5	1.40	105.7	4.16	4.5	0.18
193174116	500-600	245-325	80.5	3.17	50.5	1.99	28.0	1.10	17.0	0.67	35.5	1.40	105.7	4.16	4.5	0.18
193174018	500-600	245-325	80.5	3.17	50.5	1.99	28.0	1.10	19.0	0.75	35.5	1.40	105.7	4.16	4.5	0.18
193174020	500-600	245-325	80.5	3.17	50.5	1.99	28.0	1.10	21.0	0.83	35.5	1.40	105.7	4.16	4.5	0.18
193174022	500-600	245-325	80.5	3.17	50.5	1.99	28.0	1.10	23.0	0.91	35.5	1.40	105.7	4.16	4.5	0.18
193174024	500-600	245-325	80.5	3.17	50.5	1.99	28.0	1.10	25.0	0.98	35.5	1.40	105.7	4.16	4.5	0.18
193174027	500-600	245-325	80.5	3.17	50.5	1.99	28.0	1.10	28.0	1.10	35.5	1.40	105.7	4.16	4.5	0.18

ENTER DESCRIPTION EC NO: WNAZ009-0877 TIDRAW:MODELL 2009/06/29 CHKD: 2009/06/30 APPR:RDEROSS 2009/07/01	QUALITY SYMBOLS ▽=0 ▽=0	GENERAL TOLERANCES (UNLESS SPECIFIED)		DIMENSION STYLE MM/IN		SCALE 1:2		DESIGN UNITS METRIC		THIRD ANGLE PROJECTION	
		mm INCH		DRAWN BY MODELL		DATE 2009/02/18		TITLE SL SERIES RING TYPE CONNECTORS 250-600MCM			
		4 PLACES ± --- ± --- 3 PLACES ± --- ± --- 2 PLACES ± --- ± --- 1 PLACE ± --- ± ---		CHECKED BY RDEROSS		DATE 2009/02/18		MOLEX INCORPORATED			
		ANGULAR ± ---°		APPROVED BY RDEROSS		DATE 2009/02/18		DOCUMENT NO. SD-19317-001			
DRAFT WHERE APPLICABLE MUST REMAIN WITHIN DIMENSIONS				MATERIAL NO. SEE TABLE		SHEET NO. 4 OF 4					
THIS DRAWING CONTAINS INFORMATION THAT IS PROPRIETARY TO MOLEX INCORPORATED AND SHOULD NOT BE USED WITHOUT WRITTEN PERMISSION											