

**PLEASE CHECK WWW.MOLEX.COM FOR LATEST PART INFORMATION**

**Part Number:** [0190070077](#)  
**Status:** **Active**  
**Description:** InsulKrimp™ Female Fully Insulated Quick Disconnect Flag for 14-16 AWG Wire, Tab 4.75mm (.187") x 0.51mm (.020"), 94 V-0 Material, Mylar Tape Carrier

**Documents:**

[Drawing \(PDF\)](#) [RoHS Certificate of Compliance \(PDF\)](#)  
[Product Specification PS-19902-008 \(PDF\)](#)

**General**

Product Family Quick Disconnects  
 Series [19007](#)  
 Crimp Quality Equipment Yes  
 Product Name InsulKrimp™  
 Type Quick Disconnect

**Physical**

Barrel Type Closed  
 Color - Resin Natural  
 Gender Female  
 Glow-Wire Compliant No  
 Insulation Nylon (PA)  
 Lock to Mating Part None  
 Material - Metal Brass  
 Material - Resin Nylon  
 Orientation Flag  
 Packaging Type Adhesive Tape on Reel  
 Polarized to Mating Part No  
 Tab Thickness 0.51mm (.020")  
 Tab Width 4.75mm (.187")  
 Temperature Range - Operating -65°C to +105°C  
 Wire Insulation Diameter 5.08mm (.200")  
 Wire Size AWG 14, 16  
 Wire Size mm² 1.00 - 2.60

**Electrical**

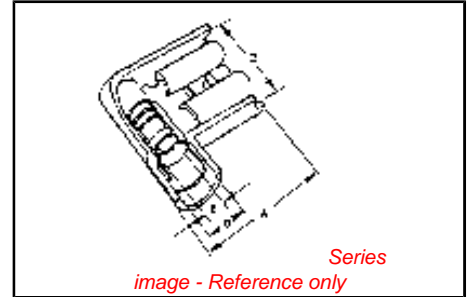
Voltage - Maximum 600V

**Material Info**

Old Part Number BB-2224VT

**Reference - Drawing Numbers**

Product Specification PS-19902-008  
 Sales Drawing SD-19007-001



**EU RoHS**  
**ELV and RoHS**  
**Compliant**  
**REACH SVHC**  
 Not Reviewed  
**Halogen-Free**  
**Status**  
**Not Reviewed**

**China RoHS**



**Need more information on product environmental compliance?**

Email [productcompliance@molex.com](mailto:productcompliance@molex.com)  
 For a multiple part number RoHS Certificate of Compliance, [click here](#)

Please visit the [Contact Us](#) section for any non-product compliance questions.

**Search Parts in this Series**  
[19007Series](#)

**Application Tooling | FAQ**

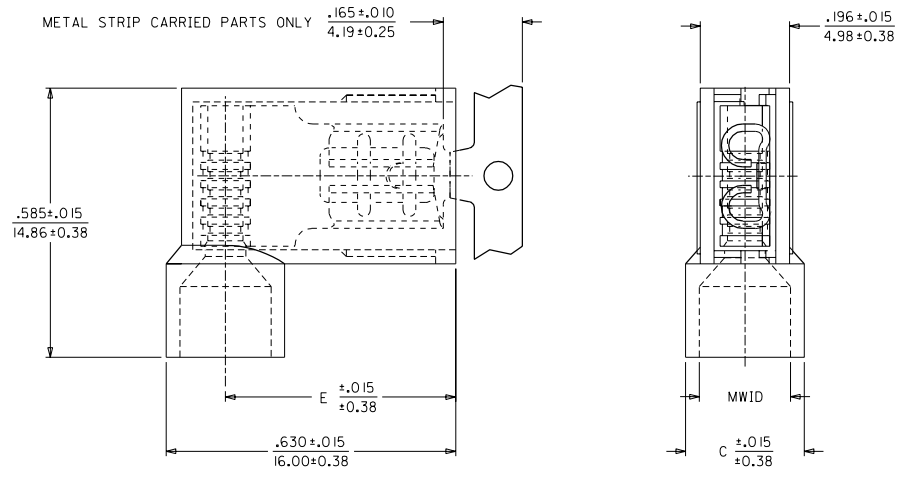
*Tooling specifications and manuals are found by selecting the products below. Crimp Height Specifications are then contained in the Application Tooling Specification document.*

**Global**

Description	Product #
Crimp Dies for the ATP-301 Air Crimping Press for Mylar Tape Mounted Terminals	<a href="#">0192880165</a>
Hand Crimp Tool	<a href="#">0640014100</a>

**PLEASE CHECK WWW.MOLEX.COM FOR LATEST PART INFORMATION**

PART NO.	CARRIER STYLE	AWG	COLOR	MWID	TAB SIZE	E	C
190070067	LOOSE	22-18	RED	.176/4.47	.187 X .020	.512/13.00	.236/5.99
190070068	TAPE	22-18	RED	.176/4.47	.187 X .020	.512/13.00	.236/5.99
190070069	STRIP	22-18	RED	.176/4.47	.187 X .020	.512/13.00	.236/5.99
190070070	LOOSE	22-18	RED	.176/4.47	.187 X .032	.512/13.00	.236/5.99
190070071	TAPE	22-18	RED	.176/4.47	.187 X .032	.512/13.00	.236/5.99
190070072	STRIP	22-18	RED	.176/4.47	.187 X .032	.512/13.00	.236/5.99
190070076	LOOSE	16-14	BLUE	.200/5.08	.187 X .020	.500/12.70	.260/6.60
190070077	TAPE	16-14	BLUE	.200/5.08	.187 X .020	.500/12.70	.260/6.60
190070078	STRIP	16-14	BLUE	.200/5.08	.187 X .020	.500/12.70	.260/6.60
190070079	LOOSE	16-14	BLUE	.200/5.08	.187 X .032	.500/12.70	.260/6.60
190070080	TAPE	16-14	BLUE	.200/5.08	.187 X .032	.500/12.70	.260/6.60
190070081	STRIP	16-14	BLUE	.200/5.08	.187 X .032	.500/12.70	.260/6.60



NOTES:  
 1. MWID = MAX. WIRE INSULATION DIA.  
 2. ALL DIMENSIONS = INCHES/MM  
 2. MATERIAL:  
 HOUSING: NYLON 6/6 94V-0 RATING  
 TERMINAL: TIN PLATED BRASS

SALES DRAWING

EC NO. E1C200-0364 DRWN:HEB 01/06/11 CHK:RWD 01/06/11 APPR:RWD 01/06/11	QUALITY SYMBOLS MAJOR CRITICAL	GENERAL TOLERANCES: (UNLESS SPECIFIED)		SCALE NO:NE	DESIGN UNITS <input type="checkbox"/> mm <input checked="" type="checkbox"/> INCH	THIRD ANGLE PROJECTION	DIMENSIONS: <input type="checkbox"/> mm <input checked="" type="checkbox"/> INCH	SHT REV		
		4 PLACES ±0.--- ±.---	3 PLACES ±0.--- ±.005	2 PLACES ±0.0.13 ±.01	1 PLACE ±0.0.25 ±.---	DRAWN BY & DATE HEB 01/06/05	CHECKED BY & DATE RWD 01/06/05	APPROVED BY & DATE RWD 01/06/05	TITLE: FLAG FIQD, INSULKRIMP 94V-0 MATERIAL .187 X .032 & .020	REVISE ON CAD ONLY
		ANGULAR: ± 1/2 °				CAD FILENAME E1900700.DGN	MATERIAL NO. SEE CHART	DRAWING NO. SD-19007-001	SHEET NO. 1 OF 1	
		DRAFT WHERE APPLICABLE MUST REMAIN WITHIN DIMENSIONS				THIS DRAWING CONTAINS INFORMATION THAT IS PROPRIETARY TO MOLEX INCORPORATED AND SHOULD NOT BE USED WITHOUT WRITTEN PERMISSION.				SIZE B