

PLEASE CHECK WWW.MOLEX.COM FOR LATEST PART INFORMATION

Part Number: [0026484032](#)
Status: **Active**
Description: 3.96mm (.156") Pitch KK@ Header, Breakaway, Vertical, 3 Circuits, Tin (Sn) Plating, Pin length 30.48mm (1.200")

Documents:

[Drawing \(PDF\)](#) [RoHS Certificate of Compliance \(PDF\)](#)
[Product Specification PS-08-50 \(PDF\)](#)

Agency Certification

CSA LR19980
 UL E29179

General

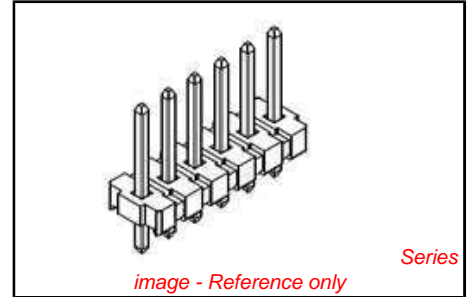
Product Family PCB Headers
 Series 41661
 Application Board-to-Board, Wire-to-Board
 Product Name KK@

Physical

Breakaway Yes
 Circuits (Loaded) 3
 Circuits (maximum) 3
 Circuits Detail 3
 Color - Resin Black
 Durability (mating cycles max) 25
 First Mate / Last Break No
 Flammability 94V-0
 Glow-Wire Compliant No
 Guide to Mating Part No
 Keying to Mating Part None
 Lock to Mating Part None
 Material - Metal Brass
 Material - Plating Mating Tin
 Material - Plating Termination Tin
 Material - Resin Polyester
 Number of Rows 1
 Orientation Vertical
 PC Tail Length (in) 0.172 In
 PC Tail Length (mm) 4.37 mm
 PCB Locator No
 PCB Retention None
 PCB Thickness Recommended (in) 0.062 In
 PCB Thickness Recommended (mm) 1.57 mm
 Packaging Type Bag
 Pitch - Mating Interface (in) 0.156 In
 Pitch - Mating Interface (mm) 3.96 mm
 Pitch - Term. Interface (in) 0.156 In
 Pitch - Term. Interface (mm) 3.96 mm
 Polarized to PCB No
 Temperature Range - Operating -40°C to +105°C
 Termination Interface: Style IDT or Pierce

Electrical

Current - Maximum per Contact 4.5A
 Voltage - Maximum 250V



<p>EU RoHS ELV and RoHS Compliant REACH SVHC Contains SVHC: No Halogen-Free Status Not Reviewed</p>	<p>China RoHS</p>
--	--------------------------

Need more information on product environmental compliance?
 Email productcompliance@molex.com
 For a multiple part number RoHS Certificate of Compliance, [click here](#)
 Please visit the [Contact Us](#) section for any non-product compliance questions.

Search Parts in this Series
[41661Series](#)

Mates With
[2139](#) KK@ Crimp Housing, [41695](#) KK@ Crimp Housing, [6442](#) KK@ Crimp Housing, [7674](#) KK@ Crimp Housing, [7675](#) KK@ IDT Solder Connectors, [2145](#) PCB Connector, [41815](#) PCB Connector

Solder Process Data

Duration at Max. Process Temperature (seconds)	5
Lead-free Process Capability	Wave Capable (TH only)
Max. Cycles at Max. Process Temperature	1
Process Temperature max. C	235

Material Info

Old Part Number	A-41661-A03R102
-----------------	-----------------

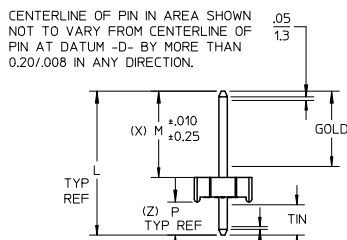
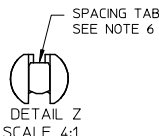
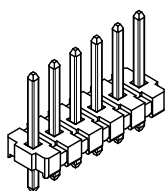
Reference - Drawing Numbers

Product Specification	PS-08-50
Sales Drawing	SD-41661-001

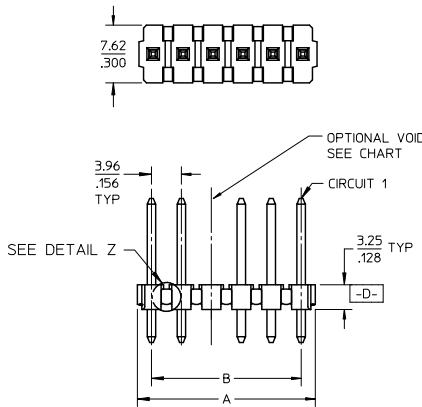
This document was generated on 03/25/2010

PLEASE CHECK WWW.MOLEX.COM FOR LATEST PART INFORMATION

10 9 8 7 6 5 4 3 2 1



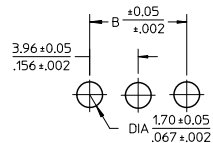
CENTERLINE OF PIN IN AREA SHOWN NOT TO VARY FROM CENTERLINE OF PIN AT DATUM -D- BY MORE THAN 0.13/.005 IN ANY DIRECTION.



	B	A	CKT SIZE
	3.96/.156	6.78-7.87 / .267-.310	2
	7.92/.312	10.74-11.84 / .423-.466	3
	11.89/.468	14.71-15.80 / .579-.622	4
	15.85/.624	18.67-19.76 / .735-.778	5
	19.81/.780	22.63-23.72 / .891-.934	6
	23.77/.936	26.59-27.69 / 1.047-1.090	7
	27.74/1.092	30.56-31.65 / 1.203-1.246	8
	31.70/1.248	34.52-35.61 / 1.359-1.402	9
	35.66/1.404	38.48-39.57 / 1.515-1.558	10
	39.62/1.560	42.44-43.54 / 1.671-1.714	11
	43.59/1.716	46.41-47.50 / 1.827-1.870	12
	47.55/1.872	50.37-51.46 / 1.983-2.026	13
	51.51/2.028	54.33-55.42 / 2.139-2.182	14
	55.47/2.184	58.29-59.39 / 2.295-2.338	15
	59.44/2.340	62.26-63.35 / 2.451-2.494	16
	63.40/2.496	66.22-67.31 / 2.607-2.650	17
	67.36/2.652	70.18-71.27 / 2.763-2.806	18
	71.32/2.808	74.14-75.23 / 2.919-2.962	19
	75.29/2.964	78.11-79.20 / 3.075-3.118	20
	79.25/3.120	82.07-83.16 / 3.231-3.274	21
	83.21/3.276	86.03-87.12 / 3.387-3.430	22
	87.17/3.432	89.94-91.08 / 3.541-3.586	23
	91.14/3.588	93.85-95.00 / 3.695-3.740	24

- NOTES:
- MATERIAL: HEADER: GLASS FILLED POLYESTER, 94V-0, MOLDED BLACK.
 - FINISH:
 - (102) OVERALL TIN: 0.00508/.000200 MIN OVER COPPER
 - (222) OVERALL MATTE TIN: 0.00254/.000100 MIN OVER 0.00127/.000050 MIN NICKEL
 - (208) SELECT GOLD: 0.00038/.000015 MIN.
 - SELECT TIN: 0.00254/.000100 MIN.
 - OVERALL NICKEL UNDERPLATE: 0.00127/.000050 MIN.
 - (228) SELECT GOLD: 0.00076/.000030 MIN.
 - SELECT TIN: 0.00254/.000100 MIN.
 - OVERALL NICKEL UNDERPLATE: 0.00127/.000050 MIN.
 - (501) OVERALL GOLD: 0.00051/.000020 MIN OVER 0.00076/.000030 MIN NICKEL
 - THIS PART CONFORMS TO PRODUCT SPEC PS-08-50.
 - PACKAGING: SEE CHARTS.
 - SOLDERABILITY: SEE SMES 152.
 - PARTS ARE STACKABLE END TO END ON 3.96/.156 CENTERS. (SPACING TABS MUST BE REMOVED ON CIRCUIT SIZES 2 THRU 23 BEFORE PARTS ARE STACKABLE.)
 - THIS PART CONFORMS TO CLASS B REQUIREMENTS OF COSMETIC SPECIFICATION PS-45499-002.
 - PIN PUSH-OUT FORCE: PRIOR TO SOLDERING, A 3 LB MINIMUM FORCE (IN EITHER DIRECTION) SHALL BE REQUIRED TO PUSH THE PIN OUT OF THE HEADER.

A-41661- * N * * - *
 PACKAGING & OPTIONS NO. OF CKTS. * VOID CODE
 BLANK=NO VOIDS
 NO=CKT NO. VOIDED
 MULT. VOIDS START WITH #51
 PLATING CODE
 PIN DIMENSIONS



PCB LAYOUT: COMPONENT SIDE
 RECOMMENDED PCB THICKNESS:
 1.57±.18/.062±.007

DRAWING FORMAT	SHEETS	REV LEVEL
GENERAL DOCS.	2-*	BD1
ANNOTATOR	1	

ADD 41661-0642 EC NO: UCP2010-1384 DRAWN/KPPER 2010/02/03 CHKD:SSOISEK 2010/02/09 APPR:FSMITH 2010/02/10	QUALITY SYMBOLS ▽=0 ▽=0 ▽=0	GENERAL TOLERANCES (UNLESS SPECIFIED)		DIMENSION STYLE MM/IN		SCALE 2:1	DESIGN UNITS INCH	THIRD ANGLE PROJECTION
		mm	INCH	DRAWN BY JSCHAFFER	DATE 2004/03/04	TITLE	MOLEX INCORPORATED	SHEET NO. 1 OF *
		4 PLACES ± --- ± ---		CHECKED BY KSAMIEC <td>DATE 2004/03/04</td> <td colspan="2">KK .156 HEADER ASSEMBLY FLAT BREAKAWAY 2-24 CKTS</td> <td></td>	DATE 2004/03/04	KK .156 HEADER ASSEMBLY FLAT BREAKAWAY 2-24 CKTS		
		3 PLACES ± --- ± .010		APPROVED BY MARGULIS <td>DATE 2004/03/04</td> <td colspan="2">SD-41661-001</td> <td></td>	DATE 2004/03/04	SD-41661-001		
		2 PLACES ± 0.25 ± .014		MATERIAL NO.		SEE CHART		
		1 PLACE ± 0.36 ± ---		DOCUMENT NO.		THIS DRAWING CONTAINS INFORMATION THAT IS PROPRIETARY TO MOLEX INCORPORATED AND SHOULD NOT BE USED WITHOUT WRITTEN PERMISSION		
		ANGULAR ± 1/2°						
		DRAFT WHERE APPLICABLE MUST REMAIN WITHIN DIMENSIONS						

A-41661-ANA102-*			A-41661-ANA102-*			A-41661-BNA208-*			A-41661-BNA228-*		
MATERIAL	ENGINEERING	VOIDS	MATERIAL	ENGINEERING	VOIDS	MATERIAL	ENGINEERING	VOIDS	MATERIAL	ENGINEERING	VOIDS
26-48-1021	-A2A102		26-50-3092	-A9A102-7	7	41661-0001	-B02A208		41661-0024	-B02A228	
26-48-1031	-A3A102		26-50-3201	-A20A102-3	3	41661-0002	-B03A208		41661-0025	-B03A228	
26-48-1041	-A4A102		26-50-3164	-A16A102-52	2, 15	41661-0003	-B04A208		41661-0026	-B04A228	
26-48-1051	-A5A102		41661-2004	-A6A102-4	4	41661-0004	-B05A208		41661-0027	-B05A228	
26-48-1061	-A6A102		41661-2005	-A4A102-51	2,3	41661-0005	-B06A208		41661-0028	-B06A228	
26-48-1071	-A7A102		41661-2006	-A5A102-3	3	41661-0006	-B07A208		41661-0029	-B07A228	
26-48-1081	-A8A102		26-50-3039	-A3A102-2	2	41661-0007	-B08A208		41661-0030	-B08A228	
26-48-1091	-A9A102		26-50-3049	-A4A102-2	2	41661-0008	-B09A208		41661-0031	-B09A228	
26-48-1101	-A10A102		26-50-3059	-A5A102-2	2	41661-0009	-B10A208		41661-0032	-B10A228	
26-48-1111	-A11A102		26-50-3069	-A6A102-2	2	41661-0010	-B11A208		41661-0033	-B11A228	
26-48-1121	-A12A102		26-50-3074	-A7A102-2	2	41661-0011	-B12A208		41661-0034	-B12A228	
26-48-1131	-A13A102		26-50-3089	-A8A102-2	2	41661-0012	-B13A208		41661-0035	-B13A228	
26-48-1141	-A14A102		26-50-3099	-A9A102-2	2	41661-0013	-B14A208		41661-0036	-B14A228	
26-48-1151	-A15A102		26-50-3104	-A10A102-2	2	41661-0014	-B15A208		41661-0037	-B15A228	
26-48-1161	-A16A102		26-50-3119	-A11A102-2	2	41661-0015	-B16A208		41661-0038	-B16A228	
26-48-1171	-A17A102		26-50-3129	-A12A102-2	2	41661-0016	-B17A208		41661-0039	-B17A228	
26-48-1181	-A18A102		26-50-3139	-A13A102-2	2	41661-0017	-B18A208		41661-0040	-B18A228	
26-48-1191	-A19A102		26-50-3149	-A14A102-2	2	41661-0018	-B19A208		41661-0041	-B19A228	
26-48-1201	-A20A102		26-50-3159	-A15A102-2	2	41661-0019	-B20A208		41661-0042	-B20A228	
26-48-1211	-A21A102		26-50-3169	-A16A102-2	2	41661-0020	-B21A208		41661-0043	-B21A228	
26-48-1221	-A22A102		26-50-3179	-A17A102-2	2	41661-0021	-B22A208		41661-0044	-B22A228	
26-48-1231	-A23A102		26-50-3189	-A18A102-2	2	41661-0022	-B23A208		41661-0045	-B23A228	
26-48-1241	-A24A102		26-50-3199	-A19A102-2	2	41661-0023	-B24A208		41661-0046	-B24A228	
26-48-1178	-A17A102-3	3	26-50-3209	-A20A102-2	2						
26-48-1138	-A13A102-3	3	50-29-1687	-A07A102-4	4						
26-50-3105	-A10A102-4	4	50-29-1612	-A15A102-7	7						

REV: BD1	ECR/ECN INFORMATION: EC No.: UCP2010-1384 DATE: 2/10/2010	TITLE: KK 156 HEADER ASSEMBLY FLAT BREAKAWAY 2-24 CKTS	SHEET No. - 2 -
DOCUMENT NUMBER: SD- 41661 -001	CREATED / REVISED BY: MKIPPER	CHECKED BY: SSOUSEK	APPROVED BY: FSMITH

TEMPLATE FILENAME: PRODUCT_SPEC\SIZE_A\V.1.DOC

PIN NUMBER	2161-65(102)	PIN NUMBER	2161-3(102)	PIN NUMBER	2161-16(501)	PIN NUMBER	2161-36(102)				
PIN LENGTH	22.71/.894	PIN LENGTH	23.80/.937	PIN LENGTH	25.40/1.000	PIN LENGTH	30.48/1.200				
PLATING	102	PLATING	102	PLATING	501	PLATING	102				
MATING "M"	15.09/.594	MATING "M"	16.18/.637	MATING "M"	18.26/.719	MATING "M"	24.21/.953				
PCB "P"	4.37/.172	PCB "P"	4.37/.172	PCB "P"	3.89/.153	PCB "P"	3.02/.119				
GOLD "G"	N/A	GOLD "G"	N/A	GOLD "G"	OVERALL	GOLD "G"	N/A				
TIN "T"	OVERALL	TIN "T"	OVERALL	TIN "T"	N/A	TIN "T"	OVERALL				
PACKAGING	PK-41661-001	PACKAGING	PK-41661-001	PACKAGING	PK-41661-001	PACKAGING	PK-41661-001				
STATUS		STATUS		STATUS		STATUS					
A-41661-ANAE102-*			A-41661-ANC102-*			A-41661-AND501-*			A-41661-ANE102-*		
MATERIAL	ENGINEERING	VOIDS	MATERIAL	ENGINEERING	VOIDS	MATERIAL	ENGINEERING	VOIDS	MATERIAL	ENGINEERING	VOIDS
26-48-1020	-A2AE102		26-48-7021	-A2C102		26-48-5023	-A2D501		26-58-4020	-A2E102	
26-48-1030	-A3AE102		26-48-7031	-A3C102		41661-0093	-A3D501		26-58-4030	-A3E102	
26-48-1040	-A4AE102		26-48-7041	-A4C102		41661-0094	-A4D501		26-58-4040	-A4E102	
26-48-1050	-A5AE102		26-48-7051	-A5C102		41661-0095	-A5D501		26-58-4050	-A5E102	
26-48-1060	-A6AE102		26-48-7061	-A6C102		41661-0096	-A6D501		26-58-4060	-A6E102	
26-48-1070	-A7AE102		26-48-7071	-A7C102		41661-0097	-A7D501		26-58-4070	-A7E102	
26-48-1080	-A8AE102		26-48-7081	-A8C102		26-48-5083	-A8D501		26-58-4080	-A8E102	
26-48-1090	-A9AE102		26-48-7091	-A9C102		41661-0098	-A9D501		26-58-4090	-A9E102	
26-48-1100	-A10AE102		26-48-7101	-A10C102		41661-0099	-A10D501		26-58-4100	-A10E102	
26-48-1110	-A11AE102		26-48-7111	-A11C102		41661-0100	-A11D501		26-58-4110	-A11E102	
26-48-1120	-A12AE102		26-48-7121	-A12C102		26-48-5123	-A12D501		26-58-4120	-A12E102	
26-48-1130	-A13AE102		26-48-7131	-A13C102		41661-0101	-A13D501		26-58-4130	-A13E102	
26-48-1140	-A14AE102		26-48-7141	-A14C102		41661-0102	-A14D501		26-58-4140	-A14E102	
26-48-1150	-A15AE102		26-48-7151	-A15C102		41661-0103	-A15D501		26-58-4150	-A15E102	
26-48-1160	-A16AE102		26-48-7161	-A16C102		41661-0104	-A16D501		26-58-4160	-A16E102	
26-48-1170	-A17AE102		26-48-7171	-A17C102		41661-0105	-A17D501		26-58-4170	-A17E102	
26-48-1180	-A18AE102		26-48-7181	-A18C102		41661-0106	-A18D501		26-58-4180	-A18E102	
26-48-1190	-A19AE102		26-48-7191	-A19C102		41661-0107	-A19D501		26-58-4190	-A19E102	
26-48-1200	-A20AE102		26-48-7201	-A20C102		41661-0108	-A20D501		26-58-4200	-A20E102	
26-48-1210	-A21AE102		26-48-7211	-A21C102		41661-0109	-A21D501		26-58-4210	-A21E102	
26-48-1220	-A22AE102		26-48-7221	-A22C102		41661-0110	-A22D501		26-58-4220	-A22E102	
26-48-1230	-A23AE102		26-48-7231	-A23C102		41661-0111	-A23D501		26-58-4230	-A23E102	
26-48-1240	-A24AE102		26-48-7241	-A24C102		41661-0112	-A24D501		26-58-4240	-A24E102	

REV: BD1	ECR/ECN INFORMATION: EC No.: UCP2010-1384 DATE: 2/10/2010	TITLE: KK 156 HEADER ASSEMBLY FLAT BREAKAWAY 2-24 CKTS	SHEET No. - 3 -
DOCUMENT NUMBER: SD- 41661 -001	CREATED / REVISED BY: MKIPPER	CHECKED BY: SSOUSEK	APPROVED BY: FSMITH

TEMPLATE FILENAME: PRODUCT_SPEC\SIZE_A\V.1.DOC

A-41661-ANF102-*			A-41661-ANE501-*			A-41661-ANH102-*			A-41661-ANL102-*		
MATERIAL	ENGINEERING	VOIDS	MATERIAL	ENGINEERING	VOIDS	MATERIAL	ENGINEERING	VOIDS	MATERIAL	ENGINEERING	VOIDS
26-48-4021	-A2F102		41661-0127	-A2E501		41661-0146	-A2H102		26-48-9021	-A2L102	
26-48-4031	-A3F102		41661-0128	-A3E501		41661-0147	-A3H102		26-48-9031	-A3L102	
26-48-4041	-A4F102		41661-0129	-A4E501		41661-0148	-A4H102		41661-0167	-A4L102	
41661-0113	-A5F102		41661-0130	-A5E501		41661-0149	-A5H102		26-48-9051	-A5L102	
26-48-4061	-A6F102		41661-0131	-A6E501		26-48-8061	-A6H102		26-48-9061	-A6L102	
41661-0114	-A7F102		41661-0132	-A7E501		41661-0150	-A7H102		26-48-9071	-A7L102	
26-48-4081	-A8F102		26-48-3081	-A8E501		41661-0151	-A8H102		41661-0168	-A8L102	
41661-0115	-A9F102		41661-0133	-A9E501		41661-0152	-A9H102		41661-0169	-A9L102	
26-48-4101	-A10F102		41661-0134	-A10E501		41661-0153	-A10H102		41661-0170	-A10L102	
26-48-4111	-A11F102		41661-0135	-A11E501		41661-0154	-A11H102		41661-0171	-A11L102	
41661-0116	-A12F102		26-48-3121	-A12E501		41661-0155	-A12H102		41661-0172	-A12L102	
41661-0117	-A13F102		26-48-3131	-A13E501		26-48-8131	-A13H102		41661-0173	-A13L102	
41661-0118	-A14F102		41661-0136	-A14E501		41661-0156	-A14H102		41661-0174	-A14L102	
26-48-4151	-A15F102		41661-0137	-A15E501		41661-0157	-A15H102		41661-0175	-A15L102	
41661-0119	-A16F102		41661-0138	-A16E501		41661-0158	-A16H102		41661-0176	-A16L102	
41661-0120	-A17F102		41661-0139	-A17E501		41661-0159	-A17H102		41661-0177	-A17L102	
41661-0121	-A18F102		41661-0140	-A18E501		41661-0160	-A18H102		41661-0178	-A18L102	
41661-0122	-A19F102		41661-0141	-A19E501		41661-0161	-A19H102		41661-0179	-A19L102	
41661-0123	-A20F102		41661-0142	-A20E501		41661-0162	-A20H102		41661-0180	-A20L102	
41661-0124	-A21F102		41661-0143	-A21E501		41661-0163	-A21H102		41661-0181	-A21L102	
41661-0125	-A22F102		41661-0144	-A22E501		41661-0164	-A22H102		41661-0182	-A22L102	
41661-0126	-A23F102		41661-0145	-A23E501		41661-0165	-A23H102		41661-0183	-A23L102	
26-48-4241	-A24F102		26-48-3241	-A24E501		41661-0166	-A24H102		26-48-9241	-A24L102	

REV: BD1	ECR/ECN INFORMATION: EC No.: UCP2010-1384 DATE: 2/10/2010	TITLE: KK 156 HEADER ASSEMBLY FLAT BREAKAWAY 2-24 CKTS	SHEET No. - 4 -
DOCUMENT NUMBER: SD- 41661 -001	CREATED / REVISED BY: MKIPPER	CHECKED BY: SSOUSEK	APPROVED BY: FSMITH

TEMPLATE FILENAME: PRODUCT_SPEC\SIZE_A[V.1].DOC

PIN NUMBER	2161-36(102)	PIN NUMBER	2161-7(102)	PIN NUMBER	2161-36(102)	PIN NUMBER	2161-3(501)				
PIN LENGTH	30.48/1.200	PIN LENGTH	39.67/1.562	PIN LENGTH	30.48/1.200	PIN LENGTH	23.80/.937				
PLATING	102	PLATING	102	PLATING	102	PLATING	501				
MATING "M"	22.61/.890	MATING "M"	32.61/1.284	MATING "M"	13.44/.531	MATING "M"	16.18/.637				
PCB "P"	4.62/.182	PCB "P"	3.81/.150	PCB "P"	13.74/.541	PCB "P"	4.37/.172				
GOLD "G"	N/A	GOLD "G"	N/A	GOLD "G"	N/A	GOLD "G"	OVERALL				
TIN "T"	OVERALL	TIN "T"	OVERALL	TIN "T"	OVERALL	TIN "T"	N/A				
PACKAGING	PK-41661-001	PACKAGING	PK-41661-001	PACKAGING	PK-41661-001	PACKAGING	PK-41661-001				
STATUS		STATUS		STATUS		STATUS					
A-41661-ANM102-*			A-41661-ANN102-*			A-41661-ANR102-*			41661-ANC501-*		
MATERIAL	ENGINEERING	VOIDS	MATERIAL	ENGINEERING	VOIDS	MATERIAL	ENGINEERING	VOIDS	MATERIAL	ENGINEERING	VOIDS
26-58-4022	-A2M102		41661-0200	-A2N102		26-48-4022	-A2R102		41661-0219	-A2C501	
41661-0184	-A3M102		41661-0201	-A3N102		26-48-4032	-A3R102		41661-0220	-A3C501	
26-58-4042	-A4M102		41661-0202	-A4N102		26-48-4042	-A4R102		41661-0221	-A4C501	
26-58-4052	-A5M102		41661-0203	-A5N102		26-48-4052	-A5R102		41661-0222	-A5C501	
41661-0186	-A6M102		26-58-0062	-A6N102		26-48-4062	-A6R102		26-48-5064	-A6C501	
26-58-4072	-A7M102		41661-0204	-A7N102		26-48-4072	-A7R102		41661-0223	-A7C501	
41661-0187	-A8M102		41661-0205	-A8N102		26-48-4082	-A8R102		41661-0224	-A8C501	
26-58-4092	-A9M102		26-58-0092	-A9N102		26-48-4092	-A9R102		41661-0225	-A9C501	
26-58-4102	-A10M102		26-58-0102	-A10N102		26-48-4102	-A10R102		26-48-5104	-A10C501	
41661-0188	-A11M102		41661-0206	-A11N102		26-48-4112	-A11R102		41661-0226	-A11C501	
26-58-4122	-A12M102		41661-0207	-A12N102		26-48-4122	-A12R102		41661-0227	-A12C501	
41661-0189	-A13M102		41661-0208	-A13N102		26-48-4132	-A13R102		41661-0228	-A13C501	
41661-0190	-A14M102		41661-0209	-A14N102		26-48-4142	-A14R102		41661-0229	-A14C501	
26-58-4152	-A15M102		41661-0210	-A15N102		26-48-4152	-A15R102		41661-0230	-A15C501	
26-58-4162	-A16M102		41661-0211	-A16N102		26-48-4162	-A16R102		41661-0231	-A16C501	
41661-0192	-A17M102		41661-0212	-A17N102		26-48-4172	-A17R102		41661-0232	-A17C501	
41661-0193	-A18M102		41661-0213	-A18N102		26-48-4182	-A18R102		41661-0233	-A18C501	
41661-0194	-A19M102		41661-0214	-A19N102		26-48-4192	-A19R102		41661-0234	-A19C501	
41661-0195	-A20M102		41661-0215	-A20N102		26-48-4202	-A20R102		41661-0235	-A20C501	
41661-0196	-A21M102		41661-0216	-A21N102		26-48-4212	-A21R102		41661-0236	-A21C501	
41661-0197	-A22M102		41661-0217	-A22N102		26-48-4222	-A22R102		41661-0237	-A22C501	
41661-0198	-A23M102		41661-0218	-A23N102		26-48-4232	-A23R102		41661-0238	-A23C501	
41661-0199	-A24M102		26-58-0242	-A24N102		26-48-4242	-A24R102		26-48-5244	-A24C501	
						26-50-4055	-A5R102-4	4			

REV: BD1	ECR/ECN INFORMATION: EC No.: UCP2010-1384 DATE: 2/10/2010	TITLE: KK 156 HEADER ASSEMBLY FLAT BREAKAWAY 2-24 CKTS	SHEET No. - 5 -
DOCUMENT NUMBER: SD- 41661 -001	CREATED / REVISED BY: MKIPPER	CHECKED BY: SSOUSEK	APPROVED BY: FSMITH

TEMPLATE FILENAME: PRODUCT_SPEC\SIZE_A[V.1].DOC

PIN NUMBER	2161-22(102)	PIN NUMBER	2161-19(102)	PIN NUMBER	2161-22(102)	PIN NUMBER	2161-38(102)				
PIN LENGTH	31.75/1.250	PIN LENGTH	26.21/1.032	PIN LENGTH	31.75/1.250	PIN LENGTH	38.10/1.500				
PLATING	102	PLATING	102	PLATING	102	PLATING	102				
MATING "M"	25.70/1.012	MATING "M"	19.48/.767	MATING "M"	18.34/.722	MATING "M"	31.80/1.252				
PCB "P"	2.79/.110	PCB "P"	3.56/.140	PCB "P"	10.16/.400	PCB "P"	3.05/.120				
GOLD "G"	N/A	GOLD "G"	N/A	GOLD "G"	N/A	GOLD "G"	N/A				
TIN "T"	OVERALL	TIN "T"	OVERALL	TIN "T"	OVERALL	TIN "T"	OVERALL				
PACKAGING	PK-41661-001	PACKAGING	PK-41661-001	PACKAGING	PK-41661-001	PACKAGING	PK-41661-001				
STATUS		STATUS		STATUS		STATUS					
A-41661-ANW102-*			A-41661-ANY102-*			A-41661-ANZ102-*			A-41661-ANAA102-*		
MATERIAL	ENGINEERING	VOIDS	MATERIAL	ENGINEERING	VOIDS	MATERIAL	ENGINEERING	VOIDS	MATERIAL	ENGINEERING	VOIDS
41661-0239	-A2W102		41661-0259	-A2Y102		41661-0274	-A2Z102		41661-0294	-A2AA102	
41661-0240	-A3W102		26-58-0030	-A3Y102		41661-0275	-A3Z102		41661-0295	-A3AA102	
26-58-0045	-A4W102		26-58-0040	-A4Y102		41661-0276	-A4Z102		41661-0296	-A4AA102	
41661-0241	-A5W102		41661-0260	-A5Y102		41661-0277	-A5Z102		41661-0297	-A5AA102	
41661-0242	-A6W102		26-58-0060	-A6Y102		26-58-0061	-A6Z102		41661-0298	-A6AA102	
41661-0243	-A7W102		26-58-0070	-A7Y102		41661-0278	-A7Z102		41661-0299	-A7AA102	
41661-0244	-A8W102		41661-0261	-A8Y102		41661-0279	-A8Z102		26-58-0083	-A8AA102	
41661-0245	-A9W102		26-58-0090	-A9Y102		41661-0280	-A9Z102		41661-0300	-A9AA102	
26-58-0105	-A10W102		41661-0100	-A10Y102		41661-0281	-A10Z102		41661-0301	-A10AA102	
41661-0246	-A11W102		26-58-0110	-A11Y102		41661-0282	-A11Z102		41661-0302	-A11AA102	
41661-0247	-A12W102		41661-0262	-A12Y102		26-58-0121	-A12Z102		41661-0303	-A12AA102	
41661-0248	-A13W102		41661-0263	-A13Y102		41661-0283	-A13Z102		41661-0304	-A13AA102	
41661-0249	-A14W102		41661-0264	-A14Y102		41661-0284	-A14Z102		41661-0305	-A14AA102	
41661-0250	-A15W102		41661-0265	-A15Y102		41661-0285	-A15Z102		41661-0306	-A15AA102	
41661-0251	-A16W102		41661-0266	-A16Y102		41661-0286	-A16Z102		41661-0307	-A16AA102	
41661-0252	-A17W102		41661-0267	-A17Y102		41661-0287	-A17Z102		26-58-0173	-A17AA102	
41661-0253	-A18W102		41661-0268	-A18Y102		41661-0288	-A18Z102		41661-0308	-A18AA102	
41661-0254	-A19W102		41661-0269	-A19Y102		41661-0289	-A19Z102		41661-0309	-A19AA102	
41661-0255	-A20W102		41661-0270	-A20Y102		41661-0290	-A20Z102		41661-0310	-A20AA102	
41661-0256	-A21W102		41661-0271	-A21Y102		41661-0291	-A21Z102		41661-0311	-A21AA102	
41661-0257	-A22W102		41661-0272	-A22Y102		41661-0292	-A22Z102		41661-0312	-A22AA102	
41661-0258	-A23W102		41661-0273	-A23Y102		41661-0293	-A23Z102		41661-0313	-A23AA102	
26-58-0245	-A24W102		26-58-0240	-A24Y102		26-58-0241	-A24Z102		41661-0314	-A24AA102	

REV: BD1	ECR/ECN INFORMATION: EC No.: UCP2010-1384 DATE: 2/10/2010	TITLE: KK 156 HEADER ASSEMBLY FLAT BREAKAWAY 2-24 CKTS	SHEET No. - 6 -
DOCUMENT NUMBER: SD- 41661 -001	CREATED / REVISED BY: MKIPPER	CHECKED BY: SSOUSEK	APPROVED BY: FSMITH

TEMPLATE FILENAME: PRODUCT_SPEC\SIZE_A[V.1].DOC

PIN NUMBER	2161-45(102)	PIN NUMBER	2161-45(501)	PIN NUMBER	2161-40(102)	PIN NUMBER	2161-21(501)				
PIN LENGTH	20.85/.821	PIN LENGTH	20.85/.821	PIN LENGTH	48.26/1.900	PIN LENGTH	28.58/1.125				
PLATING	102	PLATING	501	PLATING	102	PLATING	501				
MATING "M"	13.23/.521	MATING "M"	13.23/.501	MATING "M"	43.18/1.700	MATING "M"	22.53/.887 REF				
PCB "P"	4.37/.172	PCB "P"	4.37/.172	PCB "P"	1.83/.072	PCB "P"	2.79+-.51/.110+-.020				
GOLD "G"	N/A	GOLD "G"	OVERALL	GOLD "G"	N/A	GOLD "G"	OVERALL				
TIN "T"	OVERALL	TIN "T"	N/A	TIN "T"	OVERALL	TIN "T"	N/A				
PACKAGING	PK-41661-001	PACKAGING	PK-41661-001	PACKAGING	PK-41661-001	PACKAGING	PK-41661-001				
STATUS		STATUS		STATUS		STATUS					
A-41661-ANB102-*			A-41661-ANB501-*			A-41661-ANAW102-*			A-41661-ANV501-*		
MATERIAL	ENGINEERING	VOIDS	MATERIAL	ENGINEERING	VOIDS	MATERIAL	ENGINEERING	VOIDS	MATERIAL	ENGINEERING	VOIDS
26-48-6021	-A2B102		26-48-5021	-A2B501		26-58-5024	-A2AW102		41661-0315	-A2V501	
26-48-6031	-A3B102		26-48-5031	-A3B501		26-58-5034	-A3AW102		41661-0316	-A3V501	
26-48-6041	-A4B102		26-48-5041	-A4B501		26-58-5044	-A4AW102		41661-0317	-A4V501	
26-48-6051	-A5B102		26-48-5051	-A5B501		26-58-5054	-A5AW102		41661-0318	-A5V501	
26-48-6061	-A6B102		26-48-5061	-A6B501		26-58-5064	-A6AW102		26-48-5068	-A6V501	
26-48-6071	-A7B102		26-48-5071	-A7B501		26-58-5074	-A7AW102		41661-0319	-A7V501	
26-48-6081	-A8B102		26-48-5081	-A8B501		26-58-5084	-A8AW102		26-48-5088	-A8V501	
26-48-6091	-A9B102		26-48-5091	-A9B501		26-58-5094	-A9AW102		41661-0320	-A9V501	
26-48-6101	-A10B102		26-48-5101	-A10B501		26-58-5104	-A10AW102		41661-0321	-A10V501	
26-48-6111	-A11B102		26-48-5111	-A11B501		26-58-5114	-A11AW102		41661-0322	-A11V501	
26-48-6121	-A12B102		26-48-5121	-A12B501		26-58-5124	-A12AW102		41661-0323	-A12V501	
26-48-6131	-A13B102		26-48-5131	-A13B501		26-58-5134	-A13AW102		41661-0324	-A13V501	
26-48-6141	-A14B102		26-48-5141	-A14B501		26-58-5144	-A14AW102		41661-0325	-A14V501	
26-48-6151	-A15B102		26-48-5151	-A15B501		26-58-5154	-A15AW102		41661-0326	-A15V501	
26-48-6161	-A16B102		26-48-5161	-A16B501		26-58-5164	-A16AW102		41661-0327	-A16V501	
26-48-6171	-A17B102		26-48-5171	-A17B501		26-58-5174	-A17AW102		41661-0328	-A17V501	
26-48-6181	-A18B102		26-48-5181	-A18B501		26-58-5184	-A18AW102		41661-0329	-A18V501	
26-48-6191	-A19B102		26-48-5191	-A19B501		26-58-5194	-A19AW102		41661-0330	-A19V501	
26-48-6201	-A20B102		26-48-5201	-A20B501		26-58-5204	-A20AW102		41661-0331	-A20V501	
26-48-6211	-A21B102		26-48-5211	-A21B501		26-58-5214	-A21AW102		41661-0332	-A21V501	
26-48-6221	-A22B102		26-48-5221	-A22B501		26-58-5224	-A22AW102		41661-0333	-A22V501	
26-48-6231	-A23B102		26-48-5231	-A23B501		26-58-5234	-A23AW102		41661-0334	-A23V501	
26-48-6241	-A24B102		26-48-5241	-A24B501		26-58-5244	-A24AW102		41661-0335	-A24V501	

REV: BD1	ECR/ECN INFORMATION: EC No.: UCP2010-1384 DATE: 2/10/2010	TITLE: KK 156 HEADER ASSEMBLY FLAT BREAKAWAY 2-24 CKTS	SHEET No. - 7 -
DOCUMENT NUMBER: SD- 41661 -001	CREATED / REVISED BY: MKIPPER	CHECKED BY: SSOUSEK	APPROVED BY: FSMITH

TEMPLATE FILENAME: PRODUCT_SPEC\SIZE_A[V.1].DOC

PIN NUMBER	2161-5(501)	PIN NUMBER	2161-16(102)	PIN NUMBER	2161-21(102)	PIN NUMBER	2161-15(102)				
PIN LENGTH	34.93/1.375	PIN LENGTH	25.40/1.000	PIN LENGTH	28.57/1.125	PIN LENGTH	15.88/.625				
PLATING	501	PLATING	102	PLATING	102	PLATING	102				
MATING "M"	27.18/1.070	MATING "M"	18.26/.719	MATING "M"	22.15/.872	MATING "M"	8.81/.347				
PCB "P"	4.50/.177	PCB "P"	3.89/.153	PCB "P"	3.18/.125	PCB "P"	3.81/.150				
GOLD "G"	OVERALL	GOLD "G"	N/A	GOLD "G"	N/A	GOLD "G"	N/A				
TIN "T"	N/A	TIN "T"	OVERALL	TIN "T"	OVERALL	TIN "T"	OVERALL				
PACKAGING	PK-41661-001	PACKAGING	PK-41661-001	PACKAGING	PK-41661-001	PACKAGING	PK-41661-001				
STATUS		STATUS		STATUS		STATUS					
A-41661-ANAN501-*			A-41661-AND102-*			A-41661-ANBA102-*			A-41661-ANBC102-*		
MATERIAL	ENGINEERING	VOIDS	MATERIAL	ENGINEERING	VOIDS	MATERIAL	ENGINEERING	VOIDS	MATERIAL	ENGINEERING	VOIDS
26-58-4026	-A2AN501		41661-0336	-A2D102		26-48-4025	-A2BA102		26-48-3023	-A2BC102	
26-58-4036	-A3AN501		41661-0337	-A3D102		26-48-4035	-A3BA102		26-48-3033	-A3BC102	
26-58-4046	-A4AN501		41661-0338	-A4D102		26-48-4045	-A4BA102		26-48-3043	-A4BC102	
26-58-4056	-A5AN501		26-48-9052	-A5D102		26-48-4055	-A5BA102		26-48-3053	-A5BC102	
26-58-4066	-A6AN501		41661-0339	-A6D102		26-48-4065	-A6BA102		26-48-3063	-A6BC102	
26-58-4076	-A7AN501		41661-0340	-A7D102		26-48-4075	-A7BA102		26-48-3073	-A7BC102	
26-58-4086	-A8AN501		26-48-9082	-A8D102		26-48-4085	-A8BA102		26-48-3083	-A8BC102	
26-58-4096	-A9AN501		41661-0341	-A9D102		26-48-4095	-A9BA102		26-48-3093	-A9BC102	
26-58-4106	-A10AN501		41661-0342	-A10D102		26-48-4105	-A10BA102		26-48-3103	-A10BC102	
26-58-4116	-A11AN501		41661-0343	-A11D102		26-48-4115	-A11BA102		26-48-3113	-A11BC102	
26-58-4126	-A12AN501		41661-0344	-A12D102		26-48-4125	-A12BA102		26-48-3123	-A12BC102	
26-58-4136	-A13AN501		41661-0345	-A13D102		26-48-4135	-A13BA102		26-48-3133	-A13BC102	
26-58-4146	-A14AN501		41661-0346	-A14D102		26-48-4145	-A14BA102		26-48-3143	-A14BC102	
26-58-4156	-A15AN501		41661-0347	-A15D102		26-48-4155	-A15BA102		26-48-3153	-A15BC102	
26-58-4166	-A16AN501		41661-0348	-A16D102		26-48-4165	-A16BA102		26-48-3163	-A16BC102	
26-58-4176	-A17AN501		41661-0349	-A17D102		26-48-4175	-A17BA102		26-48-3173	-A17BC102	
26-58-4186	-A18AN501		41661-0350	-A18D102		26-48-4185	-A18BA102		26-48-3183	-A18BC102	
26-58-4196	-A19AN501		41661-0351	-A19D102		26-48-4195	-A19BA102		26-48-3193	-A19BC102	
26-58-4206	-A20AN501		41661-0352	-A20D102		26-48-4205	-A20BA102		26-48-3203	-A20BC102	
26-58-4216	-A21AN501		41661-0353	-A21D102		26-48-4215	-A21BA102		26-48-3213	-A21BC102	
26-58-4226	-A22AN501		41661-0354	-A22D102		26-48-4225	-A22BA102		26-48-3223	-A22BC102	
26-58-4236	-A23AN501		41661-0355	-A23D102		26-48-4235	-A23BA102		26-48-3233	-A23BC102	
26-58-4246	-A24AN501		26-48-9242	-A24D102		26-48-4245	-A24BA102		26-48-3243	-A24BC102	

REV: BD1	ECR/ECN INFORMATION: EC No.: UCP2010-1384 DATE: 2/10/2010	TITLE: KK 156 HEADER ASSEMBLY FLAT BREAKAWAY 2-24 CKTS	SHEET No. - 8 -
DOCUMENT NUMBER: SD- 41661 -001	CREATED / REVISED BY: MKIPPER	CHECKED BY: SSOUSEK	APPROVED BY: FSMITH

TEMPLATE FILENAME: PRODUCT_SPEC\SIZE_A[V.1].DOC

PIN NUMBER	2161-65(501)	PIN NUMBER	2161-1(501)	PIN NUMBER	CONTINUED	PIN NUMBER	2161-37(102)				
PIN LENGTH	22.71/.894	PIN LENGTH	19.05/.750	PIN LENGTH		PIN LENGTH	27.94/1.100				
PLATING	501	PLATING	501	PLATING	FROM	PLATING	102				
MATING "M"	15.09/.594	MATING "M"	11.43/.450	MATING "M"		MATING "M"	12.34/.486				
PCB "P"	4.37/.172	PCB "P"	4.37/.172	PCB "P"	LAST	PCB "P"	12.34/.486				
GOLD "G"	OVERALL	GOLD "G"	OVERALL	GOLD "G"		GOLD "G"	N/A				
TIN "T"	N/A	TIN "T"	N/A	TIN "T"	COLUMN	TIN "T"	OVERALL				
PACKAGING	PK-41661-001	PACKAGING	PK-41661-001	PACKAGING		PACKAGING	PK-41661-001				
STATUS		STATUS		STATUS		STATUS					
A-41661-ANAE501-*			A-41661-ANA501-*			A-41661-ANA501-*			A-41661-ANCC102-*		
MATERIAL	ENGINEERING	VOIDS	MATERIAL	ENGINEERING	VOIDS	MATERIAL	ENGINEERING	VOIDS	MATERIAL	ENGINEERING	VOIDS
26-48-2020	-A2AE501		26-48-2021	-A2A501		26-49-7171	-A17A501-51	2,4,6,8,10,12,14,16	41661-0380	-A2CC102	
26-48-2030	-A3AE501		26-48-2031	-A3A501					41661-0381	-A3CC102	
26-48-2040	-A4AE501		26-48-2041	-A4A501					41661-0382	-A4CC102	
26-48-2050	-A5AE501		26-48-2051	-A5A501					41661-0383	-A5CC102	
26-48-2060	-A6AE501		26-48-2061	-A6A501					41661-0384	-A6CC102	
26-48-2070	-A7AE501		26-48-2071	-A7A501					41661-0385	-A7CC102	
26-48-2080	-A8AE501		26-48-2081	-A8A501					41661-0386	-A8CC102	
26-48-2090	-A9AE501		26-48-2091	-A9A501					41661-0387	-A9CC102	
26-48-2100	-A10AE501		26-48-2101	-A10A501					41661-0388	-A10CC102	
26-48-2110	-A11AE501		26-48-2111	-A11A501					41661-0389	-A11CC102	
26-48-2120	-A12AE501		26-48-2121	-A12A501					41661-0390	-A12CC102	
26-48-2130	-A13AE501		26-48-2131	-A13A501					41661-0391	-A13CC102	
26-48-2140	-A14AE501		26-48-2141	-A14A501					41661-0392	-A14CC102	
26-48-2150	-A15AE501		26-48-2151	-A15A501					41661-0393	-A15CC102	
26-48-2160	-A16AE501		26-48-2161	-A16A501					41661-0394	-A16CC102	
26-48-2170	-A17AE501		26-48-2171	-A17A501					41661-0395	-A17CC102	
26-48-2180	-A18AE501		26-48-2181	-A18A501					41661-0396	-A18CC102	
26-48-2190	-A19AE501		26-48-2191	-A19A501					41661-0397	-A19CC102	
26-48-2200	-A20AE501		26-48-2201	-A20A501					41661-0398	-A20CC102	
26-48-2210	-A21AE501		26-48-2211	-A21A501					41661-0399	-A21CC102	
26-48-2220	-A22AE501		26-48-2221	-A22A501					41661-0400	-A22CC102	
26-48-2230	-A23AE501		26-48-2231	-A23A501					41661-0401	-A23CC102	
26-48-2240	-A24AE501		26-48-2241	-A24A501					41661-0402	-A24CC102	

REV: BD1	ECR/ECN INFORMATION: EC No.: UCP2010-1384 DATE: 2/10/2010	TITLE: KK 156 HEADER ASSEMBLY FLAT BREAKAWAY 2-24 CKTS	SHEET No. - 9 -
DOCUMENT NUMBER: SD- 41661 -001	CREATED / REVISED BY: MKIPPER	CHECKED BY: SSOUSEK	APPROVED BY: FSMITH

TEMPLATE FILENAME: PRODUCT_SPEC\SIZE_A[V.1].DOC

PIN NUMBER	43294-0362	PIN NUMBER	43294-0363	PIN NUMBER	43294-0587	PIN NUMBER	43294-0317				
PIN LENGTH	22.61/.890	PIN LENGTH	22.61/.890	PIN LENGTH	28.45/1.120	PIN LENGTH	21.34/.840				
PLATING	208	PLATING	228	PLATING	208	PLATING	208				
MATING "M"	15.09/.594	MATING "M"	15.09/.594	MATING "M"	22.15/.872	MATING "M"	13.97/.550				
PCB "P"	4.27/.168	PCB "P"	4.27/.168	PCB "P"	3.05/.120	PCB "P"	4.11/.162				
GOLD "G"	10.51/.415	GOLD "G"	10.51/.415	GOLD "G"	6.86/.270	GOLD "G"	8.89/.350				
TIN "T"	4.06/.160	TIN "T"	4.06/.160	TIN "T"	5.08/.200	TIN "T"	5.08/.200				
PACKAGING	PK-41661-001	PACKAGING	PK-41661-001	PACKAGING	PK-41661-001	PACKAGING	PK-41661-001				
STATUS		STATUS		STATUS		STATUS					
A-41661-BNCA208-*			A-41661-BNCA228-*			A-41661-BNCD208-*			A-41661-BNCE208-*		
MATERIAL	ENGINEERING	VOIDS	MATERIAL	ENGINEERING	VOIDS	MATERIAL	ENGINEERING	VOIDS	MATERIAL	ENGINEERING	VOIDS
41661-0047	-B2CA208		41661-0070	-B2CA228		41661-0403	-B2CD208		41661-0426	-B2CE208	
41661-0048	-B3CA208		41661-0071	-B3CA228		41661-0404	-B3CD208		41661-0427	-B3CE208	
41661-0049	-B4CA208		41661-0072	-B4CA228		41661-0405	-B4CD208		41661-0428	-B4CE208	
41661-0050	-B5CA208		41661-0073	-B5CA228		41661-0406	-B5CD208		41661-0429	-B5CE208	
41661-0051	-B6CA208		41661-0074	-B6CA228		41661-0407	-B6CD208		41661-0430	-B6CE208	
41661-0052	-B7CA208		41661-0075	-B7CA228		41661-0408	-B7CD208		41661-0431	-B7CE208	
41661-0053	-B8CA208		41661-0076	-B8CA228		41661-0409	-B8CD208		41661-0432	-B8CE208	
41661-0054	-B9CA208		41661-0077	-B9CA228		41661-0410	-B9CD208		41661-0433	-B9CE208	
41661-0055	-B10CA208		41661-0078	-B10CA228		41661-0411	-B10CD208		41661-0434	-B10CE208	
41661-0056	-B11CA208		41661-0079	-B11CA228		41661-0412	-B11CD208		41661-0435	-B11CE208	
41661-0057	-B12CA208		41661-0080	-B12CA228		41661-0413	-B12CD208		41661-0436	-B12CE208	
41661-0058	-B13CA208		41661-0081	-B13CA228		41661-0414	-B13CD208		41661-0437	-B13CE208	
41661-0059	-B14CA208		41661-0082	-B14CA228		41661-0415	-B14CD208		41661-0438	-B14CE208	
41661-0060	-B15CA208		41661-0083	-B15CA228		41661-0416	-B15CD208		41661-0439	-B15CE208	
41661-0061	-B16CA208		41661-0084	-B16CA228		41661-0417	-B16CD208		41661-0440	-B16CE208	
41661-0062	-B17CA208		41661-0085	-B17CA228		41661-0418	-B17CD208		41661-0441	-B17CE208	
41661-0063	-B18CA208		41661-0086	-B18CA228		41661-0419	-B18CD208		41661-0442	-B18CE208	
41661-0064	-B19CA208		41661-0087	-B19CA228		41661-0420	-B19CD208		41661-0443	-B19CE208	
41661-0065	-B20CA208		41661-0088	-B20CA228		41661-0421	-B20CD208		41661-0444	-B20CE208	
41661-0066	-B21CA208		41661-0089	-B21CA228		41661-0422	-B21CD208		41661-0445	-B21CE208	
41661-0067	-B22CA208		41661-0090	-B22CA228		41661-0423	-B22CD208		41661-0446	-B22CE208	
41661-0068	-B23CA208		41661-0091	-B23CA228		41661-0424	-B23CD208		41661-0447	-B23CE208	
41661-0069	-B24CA208		41661-0092	-B24CA228		41661-0425	-B24CD208		41661-0448	-B24CE208	

REV: BD1	ECR/ECN INFORMATION: EC No.: UCP2010-1384 DATE: 2/10/2010	TITLE: KK 156 HEADER ASSEMBLY FLAT BREAKAWAY 2-24 CKTS	SHEET No. - 10 -
DOCUMENT NUMBER: SD- 41661 -001	CREATED / REVISED BY: MKIPPER	CHECKED BY: SSOUSEK	APPROVED BY: FSMITH

TEMPLATE FILENAME: PRODUCT_SPEC\SIZE_A\V.1.DOC

PIN NUMBER	2161-4(102)	PIN NUMBER	2161-35(102)	PIN NUMBER	2161-3(102)	PIN NUMBER	2161-19(102)				
PIN LENGTH	12.70 / .500	PIN LENGTH	17.45 / .687	PIN LENGTH	23.80 / .937	PIN LENGTH	26.21 / 1.032				
PLATING	102	PLATING	102	PLATING	102	PLATING	102				
MATING "M"	5.89 / .232	MATING "M"	9.63 / .379	MATING "M"	17.02 / .670	MATING "M"	11.48 / .452				
PCB "P"	3.56 / .140	PCB "P"	4.57 / .180	PCB "P"	3.53 / .139	PCB "P"	11.48 / .452				
GOLD "G"	NA	GOLD "G"	NA	GOLD "G"	NA	GOLD "G"	N/A				
TIN "T"	OVERALL	TIN "T"	OVERALL	TIN "T"	OVERALL	TIN "T"	OVERALL				
PACKAGING	PK-41661-001	PACKAGING	PK-41661-001	PACKAGING	PK-41661-001	PACKAGING	PK-41661-001				
STATUS		STATUS		STATUS		STATUS					
A-41661-ANCF102-*			A-41661-ANCG102-*			A-41661-ANCH102-*			A-41661-ANCL102-*		
MATERIAL	ENGINEERING	VOIDS	MATERIAL	ENGINEERING	VOIDS	MATERIAL	ENGINEERING	VOIDS	MATERIAL	ENGINEERING	VOIDS
41661-0449	-A02CF102		41661-0472	-A02CG102							
41661-0450	-A03CF102		41661-0473	-A03CG102							
41661-0451	-A04CF102		41661-0474	-A04CG102		41661-0497	A04CH102				
41661-0452	-A05CF102		41661-0475	-A05CG102							
41661-0453	-A06CF102		41661-0476	-A06CG102					41661-0522	-A06CL102	
41661-0454	-A07CF102		41661-0477	-A07CG102							
41661-0455	-A08CF102		41661-0478	-A08CG102							
41661-0456	-A09CF102		41661-0479	-A09CG102					41661-0525	-A09CL102	
41661-0457	-A10CF102		41661-0480	-A10CG102							
41661-0458	-A11CF102		41661-0481	-A11CG102							
41661-0459	-A12CF102		41661-0482	-A12CG102							
41661-0460	-A13CF102		41661-0483	-A13CG102							
41661-0461	-A14CF102		41661-0484	-A14CG102							
41661-0462	-A15CF102		41661-0485	-A15CG102							
41661-0463	-A16CF102		41661-0486	-A16CG102							
41661-0464	-A17CF102		41661-0487	-A17CG102							
41661-0465	-A18CF102		41661-0488	-A18CG102							
41661-0466	-A19CF102		41661-0489	-A19CG102							
41661-0467	-A20CF102		41661-0490	-A20CG102							
41661-0468	-A21CF102		41661-0491	-A21CG102							
41661-0469	-A22CF102		41661-0492	-A22CG102							
41661-0470	-A23CF102		41661-0493	-A23CG102							
41661-0471	-A24CF102		41661-0494	-A24CG102							

REV: BD1	ECR/ECN INFORMATION: EC No.: UCP2010-1384 DATE: 2/10/2010	TITLE: KK 156 HEADER ASSEMBLY FLAT BREAKAWAY 2-24 CKTS	SHEET No. - 11 -
DOCUMENT NUMBER: SD- 41661 -001	CREATED / REVISED BY: MKIPPER	CHECKED BY: SSOUSEK	APPROVED BY: FSMITH

TEMPLATE FILENAME: PRODUCT_SPEC\SIZE_A[V.1].DOC

PIN NUMBER	43294-0236	PIN NUMBER	43294-0614	PIN NUMBER	2161-5(102)	PIN NUMBER	2161-64(102)				
PIN LENGTH	19.05 / .750	PIN LENGTH	29.21 / 1.150	PIN LENGTH	34.93 / 1.375	PIN LENGTH	29.85 / 1.175				
PLATING	208	PLATING	208	PLATING	102	PLATING	102				
MATING "M"	12.93 / .509	MATING "M"	21.21 / .835	MATING "M"	27.31 / 1.075	MATING "M"	24.38 / .960				
PCB "P"	2.87 / .113	PCB "P"	4.75 / .187	PCB "P"	4.37 / .172	PCB "P"	2.21 / .087				
GOLD "G"	6.86 / .270	GOLD "G"	6.86 / .270	GOLD "G"	N/A	GOLD "G"	N/A				
TIN "T"	4.06 / .160	TIN "T"	5.08 / .200	TIN "T"	OVERALL	TIN "T"	OVERALL				
PACKAGING	PK-41661-001	PACKAGING	PK-41661-001	PACKAGING	PK-41661-001	PACKAGING	PK-41661-001				
STATUS		STATUS		STATUS		STATUS					
A-41661-BNB208-*			A-41661-BND208-*			A-41661-ANCM102-*			A-41661-ANCN102-*		
MATERIAL	ENGINEERING	VOIDS	MATERIAL	ENGINEERING	VOIDS	MATERIAL	ENGINEERING	VOIDS	MATERIAL	ENGINEERING	VOIDS
	-B02B208			-B02D208							
	-B03B208			-B03D208							
	-B04B208		41661-0566	-B04D208							
	-B05B208			-B05D208							
	-B06B208			-B06D208							
	-B07B208			-B07D208							
	-B08B208			-B08D208							
	-B09B208			-B09D208							
41661-0549	-B10B208			-B10D208					41661-0621	-A10CN102	
	-B11B208			-B11D208							
41661-0551	-B12B208			-B12D208		41661-0600	-A12CM102				
	-B13B208			-B13D208							
	-B14B208			-B14D208							
	-B15B208			-B15D208							
	-B16B208			-B16D208							
	-B17B208			-B17D208							
	-B18B208			-B18D208							
	-B19B208			-B19D208							
	-B20B208			-B20D208							
	-B21B208			-B21D208							
	-B22B208			-B22D208							
	-B23B208			-B23D208							
	-B24B208			-B24D208							

REV: BD1	ECR/ECN INFORMATION: EC No.: UCP2010-1384 DATE: 2/10/2010	TITLE: KK 156 HEADER ASSEMBLY FLAT BREAKAWAY 2-24 CKTS	SHEET No. - 12 -
DOCUMENT NUMBER: SD- 41661 -001	CREATED / REVISED BY: MKIPPER	CHECKED BY: SSOUSEK	APPROVED BY: FSMITH

TEMPLATE FILENAME: PRODUCT_SPEC\SIZE_A[V.1].DOC

PIN NUMBER	43294-0112	PIN NUMBER		PIN NUMBER		PIN NUMBER		
PIN LENGTH	15.75/.620	PIN LENGTH		PIN LENGTH		PIN LENGTH		
PLATING	222	PLATING		PLATING		PLATING		
MATING "M"	8.81/.347	MATING "M"		MATING "M"		MATING "M"		
PCB "P"	3.68/.145	PCB "P"		PCB "P"		PCB "P"		
GOLD "G"	N/A	GOLD "G"		GOLD "G"		GOLD "G"		
TIN "T"	OVERALL	TIN "T"		TIN "T"		TIN "T"		
PACKAGING	PK-41661-001	PACKAGING		PACKAGING		PACKAGING		
STATUS		STATUS		STATUS		STATUS		
A-41661-ANBC222.*								
MATERIAL	ENGINEERING	VOIDS	MATERIAL	ENGINEERING	VOIDS	MATERIAL	ENGINEERING	VOIDS
41661-0642	-A08BC222							

REV: BD1	<u>ECR/ECN INFORMATION:</u> EC No.: UCP2010-1384 DATE: 2/10/2010	<u>TITLE:</u> KK 156 HEADER ASSEMBLY FLAT BREAKAWAY 2-24 CKTS	<u>SHEET No.</u> - 13 -
<u>DOCUMENT NUMBER:</u> SD- 41661 -001	<u>CREATED / REVISED BY:</u> MKIPPER	<u>CHECKED BY:</u> SSOUSEK	<u>APPROVED BY:</u> FSMITH
<small>TEMPLATE FILENAME: PRODUCT_SPEC\SIZE_A[V.1].DOC</small>			