

**PLEASE CHECK WWW.MOLEX.COM FOR LATEST PART INFORMATION**

**Part Number:** [0015445136](#)  
**Status:** **Active**  
**Overview:** [cgrid\\_sl\\_products](#)  
**Description:** 2.54mm (.100") Pitch C-Grid® Receptacle, Through Hole, Dual Row, High Profile, Vertical, High-Temperature, 36 Circuits

**Documents:**

<a href="#">3D Model</a>	<a href="#">Product Specification PS-70181 (PDF)</a>
<a href="#">Drawing (PDF)</a>	<a href="#">RoHS Certificate of Compliance (PDF)</a>

**Agency Certification**

CSA	LR19980
UL	E29179

**General**

Product Family	PCB Receptacles
Series	<a href="#">71850</a>
Application	Board-to-Board
Overview	<a href="#">cgrid_sl_products</a>
Product Name	C-Grid®

**Physical**

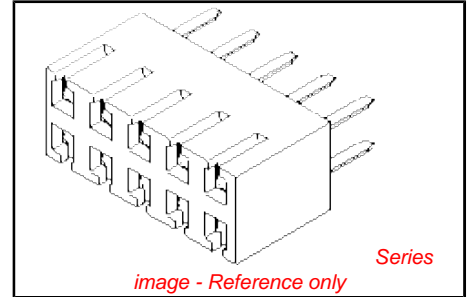
Circuits (Loaded)	36
Color - Resin	Black
Durability (mating cycles max)	50
Flammability	94V-0
Glow-Wire Compliant	No
Material - Metal	Phosphor Bronze
Material - Plating Mating	Gold
Material - Plating Termination	Tin
Material - Resin	High Temperature Thermoplastic
Number of Rows	2
Orientation	Vertical
PC Tail Length (in)	0.120 In
PC Tail Length (mm)	3.05 mm
PCB Locator	No
PCB Retention	None
PCB Thickness Recommended (in)	0.062 In
PCB Thickness Recommended (mm)	1.60 mm
Packaging Type	Tray
Pitch - Mating Interface (in)	0.100 In
Pitch - Mating Interface (mm)	2.54 mm
Plating min: Mating (µin)	30
Plating min: Mating (µm)	0.75
Plating min: Termination (µin)	75
Plating min: Termination (µm)	1.875
Polarized to PCB	No
Temperature Range - Operating	-40°C to +105°C
Termination Interface: Style	Through Hole

**Electrical**

Current - Maximum per Contact	2.5A
Voltage - Maximum	250V

**Solder Process Data**

Lead-free Process Capability	SMC & Wave Capable (TH only)
Process Temperature max. C	260



**EU RoHS**

**ELV and RoHS Compliant**

**REACH SVHC**

Not Reviewed

**Halogen-Free**

**Status**

**Not Reviewed**

**Need more information on product environmental compliance?**

Email [productcompliance@molex.com](mailto:productcompliance@molex.com)  
 For a multiple part number RoHS Certificate of Compliance, [click here](#)

Please visit the [Contact Us](#) section for any non-product compliance questions.

**China RoHS**



**Search Parts in this Series**

[71850Series](#)

**Mates With**

[8624](#) , [70203](#) , [70246](#) Straight Header, [70247](#) Right Angle Header, [70287](#) , [70289](#) , [70227](#) , [70567](#) , [70280](#) , [70524](#) , [70260](#) , [8723](#) , [70568](#) , [8724](#) , [71764](#) , [70229](#) , [70216](#) , [71308](#)

**Material Info**

Old Part Number

71850-0209

**Reference - Drawing Numbers**

Packaging Specification

PK-70873-0660

Product Specification

PS-70181

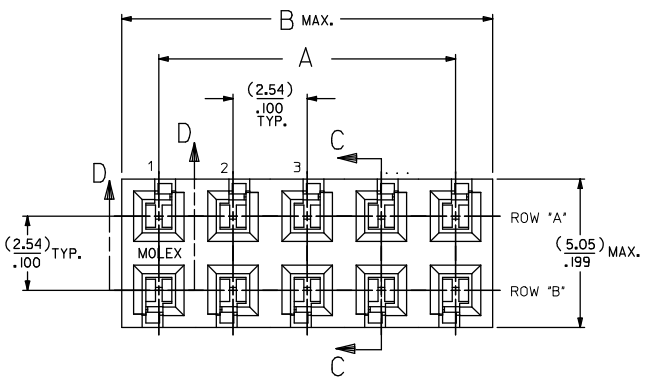
Sales Drawing

SDA-71850-0\*\*\*

This document was generated on 05/31/2010

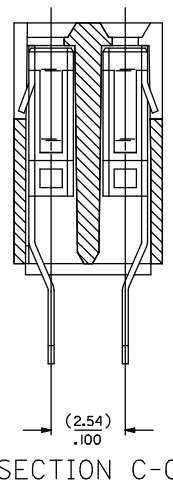
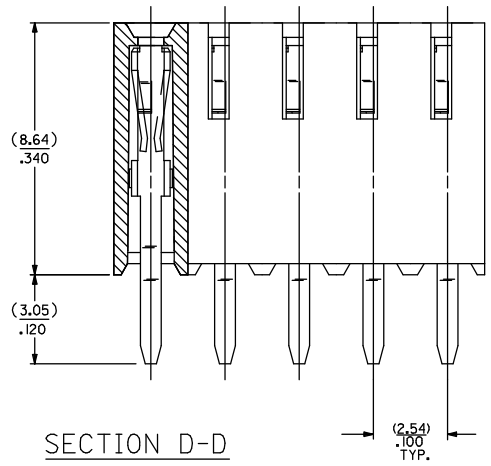
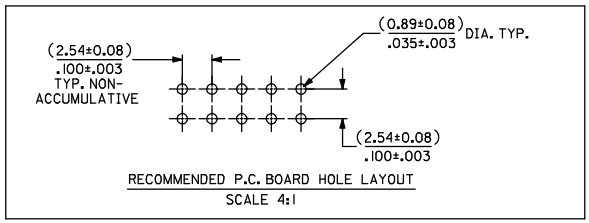
**PLEASE CHECK [WWW.MOLEX.COM](http://WWW.MOLEX.COM) FOR LATEST PART INFORMATION**

13 12 11 10 9 8 7 6 5 4 3 2 1



NOTES:

1. HOUSING MATERIAL: GLASS FILLED LIQUID CRYSTAL POLYMER, UL 94V-0, COLOR: BLACK. TERMINAL MATERIAL: PHOSPHOR BRONZE
2. FINISHES: SEE CHART SHEET 2.
3. REFER TO PRODUCT SPECIFICATION PS-70181.
4. PACKAGING IN TRAYS PER PK-70873-0660.
5. SEE SHEET 2 FOR CIRCUIT SIZES AND OVERALL DIMENSIONS.
6. RECOMMENDED PCB THICKNESS (1.37-1.80)/.054-.071.
7. PART COMPLIES WITH CLASS C REQUIREMENTS OF COSMETIC SPECIFICATION PS-45499-002.



SECTION D-D

SECTION C-C

REMOVE 71850-0232 EC NO. UEP2009-0115 DRAWING REVISIONS 2008/07/22 DRW:GAVRELL 2008/07/25 CHK:CHK (PPER) 2008/07/28 APPR:ESMITH	QUALITY SYMBOLS ▽=0 ▽=0	GENERAL TOLERANCES (UNLESS SPECIFIED)		DIMENSION STYLE		SCALE	DESIGN UNITS	THIRD ANGLE PROJECTION	
				MM/IN			INCH		
		4 PLACES ±.005 ±.005		DRAWN BY SKL		DATE 1988/02/29		TITLE	
		3 PLACES ±.010 ±.010		CHECKED BY MJM		DATE 1988/02/29		SALES VERTICAL MOUNT DUAL ROW HIGH TEMP .100 X .100 PC GRID	
2 PLACES ±0.13 ±.010		APPROVED BY WAZ		DATE 1988/02/29		MOLEX INCORPORATED			
1 PLACE ±0.25 ±.010		ANGULAR ±1/2°		MATERIAL NO.		DOCUMENT NO.			
DRAFT WHERE APPLICABLE MUST REMAIN WITHIN DIMENSIONS		SEE TABLE		SDA-71850-0***		SHEET NO. 1 OF 2			
				THIS DRAWING CONTAINS INFORMATION THAT IS PROPRIETARY TO MOLEX INCORPORATED AND SHOULD NOT BE USED WITHOUT WRITTEN PERMISSION					

12 11 10 9 8 7 6 5 4 3 2 1

13	12	11	10	9	8	7	6	5	4	3	2	1
----	----	----	----	---	---	---	---	---	---	---	---	---

J	CKT. SIZE		TERMINAL: 70172-0004 PLATING: TIN				TERMINAL: 70172-0006 PLATING: 15 GOLD				TERMINAL: 70172-0008 PLATING: 30 GOLD				DIM. "A"		DIM. "B"	
	PER ROW	TOTAL	EDP NO	ENG NO	RELEASED FOR MANUFACTURING	EDP NO	ENG NO	RELEASED FOR MANUFACTURING	EDP NO	ENG NO	RELEASED FOR MANUFACTURING	EDP NO	ENG NO	RELEASED FOR MANUFACTURING	MM	INCH	MM	INCH
2	4	15-44-6804	A-71850-0065			15-44-5804	A-71850-0129				15-44-5104	A-71850-0193		2,54	.100	5,05	.199	
3	6	15-44-6806	A-71850-0066			15-44-5806	A-71850-0130				15-44-5106	A-71850-0194		5,08	.200	7,59	.299	
4	8	15-44-6808	A-71850-0067			15-44-5808	A-71850-0131				15-44-5108	A-71850-0195		7,62	.300	10,13	.399	
5	10	15-44-6810	A-71850-0068			15-44-5810	A-71850-0132				15-44-5110	A-71850-0196		10,16	.400	12,67	.499	
6	12	15-44-6812	A-71850-0069			15-44-5812	A-71850-0133				15-44-5112	A-71850-0197		12,70	.500	15,21	.599	
7	14	15-44-6814	A-71850-0070			15-44-5814	A-71850-0134				15-44-5114	A-71850-0198		15,24	.600	17,75	.699	
8	16	15-44-6816	A-71850-0071			15-44-5816	A-71850-0135				15-44-5116	A-71850-0199		17,78	.700	20,29	.799	
9	18	15-44-6818	A-71850-0072			15-44-5818	A-71850-0136				15-44-5118	A-71850-0200		20,32	.800	22,83	.899	
10	20	15-44-6820	A-71850-0073			15-44-5820	A-71850-0137				15-44-5120	A-71850-0201		22,86	.900	25,37	.999	
11	22	15-44-6822	A-71850-0074			15-44-5822	A-71850-0138				15-44-5122	A-71850-0202		25,40	1,000	27,91	1,099	
12	24	15-44-6824	A-71850-0075			15-44-5824	A-71850-0139				15-44-5124	A-71850-0203		27,94	1,100	30,45	1,199	
13	26	15-44-6826	A-71850-0076			15-44-5826	A-71850-0140				15-44-5126	A-71850-0204		30,48	1,200	32,99	1,299	
14	28	15-44-6828	A-71850-0077			15-44-5828	A-71850-0141				15-44-5128	A-71850-0205		33,02	1,300	35,53	1,399	
15	30	15-44-6830	A-71850-0078			15-44-5830	A-71850-0142				15-44-5130	A-71850-0206		35,56	1,400	38,07	1,499	
16	32	15-44-6832	A-71850-0079			15-44-5832	A-71850-0143				15-44-5132	A-71850-0207		38,10	1,500	40,61	1,599	
17	34	15-44-6834	A-71850-0080			15-44-5834	A-71850-0144				15-44-5134	A-71850-0208		40,64	1,600	43,15	1,699	
18	36	15-44-6836	A-71850-0081			15-44-5836	A-71850-0145				15-44-5136	A-71850-0209		43,18	1,700	45,69	1,799	
19	38	15-44-6838	A-71850-0082			15-44-5838	A-71850-0146				15-44-5138	A-71850-0210		45,72	1,800	48,23	1,899	
20	40	15-44-6840	A-71850-0083			15-44-5840	A-71850-0147				15-44-5140	A-71850-0211		48,26	1,900	50,77	1,999	
21	42	15-44-6842	A-71850-0084			15-44-5842	A-71850-0148				15-44-5142	A-71850-0212		50,80	2,000	53,31	2,099	
22	44	15-44-6844	A-71850-0085			15-44-5844	A-71850-0149				15-44-5144	A-71850-0213		53,34	2,100	55,85	2,199	
23	46	15-44-6846	A-71850-0086			15-44-5846	A-71850-0150				15-44-5146	A-71850-0214		55,88	2,200	58,39	2,299	
24	48	15-44-6848	A-71850-0087			15-44-5848	A-71850-0151				15-44-5148	A-71850-0215		58,42	2,300	60,93	2,399	
25	50	15-44-6850	A-71850-0088			15-44-5850	A-71850-0152				15-44-5150	A-71850-0216		60,96	2,400	63,47	2,499	
26	52	15-44-6852	A-71850-0089			15-44-5852	A-71850-0153				15-44-5152	A-71850-0217		63,50	2,500	66,01	2,599	
27	54	15-44-6854	A-71850-0090			15-44-5854	A-71850-0154				15-44-5154	A-71850-0218		66,04	2,600	68,55	2,699	
28	56	15-44-6856	A-71850-0091			15-44-5856	A-71850-0155				15-44-5156	A-71850-0219		68,58	2,700	71,09	2,799	
29	58	15-44-6858	A-71850-0092			15-44-5858	A-71850-0156				15-44-5158	A-71850-0220		71,12	2,800	73,63	2,899	
30	60	15-44-6860	A-71850-0093			15-44-5860	A-71850-0157				15-44-5160	A-71850-0221		73,66	2,900	76,17	2,999	
31	62	15-44-6862	A-71850-0094			15-44-5862	A-71850-0158				15-44-5162	A-71850-0222		76,20	3,000	78,71	3,099	
32	64	15-44-6864	A-71850-0095			15-44-5864	A-71850-0159				15-44-5164	A-71850-0223		78,74	3,100	81,25	3,199	
33	66	15-44-6866	A-71850-0096			15-44-5866	A-71850-0160				15-44-5166	A-71850-0224		81,28	3,200	83,79	3,299	
34	68	15-44-6868	A-71850-0097			15-44-5868	A-71850-0161				15-44-5168	A-71850-0225		83,82	3,300	86,33	3,399	
35	70	15-44-6870	A-71850-0098			15-44-5870	A-71850-0162				15-44-5170	A-71850-0226		86,36	3,400	88,87	3,499	
36	72	15-44-6872	A-71850-0099			15-44-5872	A-71850-0163				15-44-5172	A-71850-0227		88,90	3,500	91,41	3,599	
37	74	15-44-6874	A-71850-0100			15-44-5874	A-71850-0164				15-44-5174	A-71850-0228		91,44	3,600	93,95	3,699	
38	76	15-44-6876	A-71850-0101			15-44-5876	A-71850-0165				15-44-5176	A-71850-0229		93,98	3,700	96,49	3,799	
39	78	15-44-6878	A-71850-0102			15-44-5878	A-71850-0166				15-44-5178	A-71850-0230		96,52	3,800	99,03	3,899	
40	80	15-44-6880	A-71850-0103			15-44-5880	A-71850-0167				15-44-5180	A-71850-0231		99,06	3,900	101,57	3,999	

PLATING PER ES-88-\*\*\*\*  
 TIN - (3.81 MICROMETERS)/150 MICROINCHES MINIMUM TIN OVERALL OVER NICKEL UNDERPLATE OVERALL.  
 15 GOLD - (0.38 MICROMETERS)/15 MICROINCHES MINIMUM GOLD PLATE IN SELECT AREA. (1.90 MICROMETERS)/75 MICROINCHES MINIMUM TIN IN SELECT AREA OVER NICKEL UNDERPLATE OVERALL.  
 30 GOLD - (0.76 MICROMETERS)/30 MICROINCHES MINIMUM GOLD PLATE IN SELECT AREA. (1.90 MICROMETERS)/75 MICROINCHES MINIMUM TIN IN SELECT AREA OVER NICKEL UNDERPLATE OVERALL.

REMOVE 71850-0232  
 EC NO. UCP2009-0115  
 DRWING: GNERILL 2008/07/22  
 CHKCHK: PPER 2008/07/25  
 APPR: ESMITH 2008/07/28

QUALITY SYMBOLS  

 DESCRIPTION

GENERAL TOLERANCES (UNLESS SPECIFIED):  
 4 PLACES ±.005 ±.005  
 3 PLACES ±.010 ±.010  
 2 PLACES ±.013 ±.010  
 1 PLACE ±.025 ±.010  
 ANGULAR ±1/2°

DIMENSION STYLE: MM/IN  
 DRAWN BY: SKL DATE: 1988/02/29  
 CHECKED BY: MJM DATE: 1988/02/29  
 APPROVED BY: WAZ DATE: 1988/02/29

SCALE: 1:1  
 DESIGN UNITS: INCH  
 THIRD ANGLE PROJECTION

TITLE: SALES VERTICAL MOUNT  
 DUAL ROW HIGH TEMP  
 .100 X .100 PC GRID

MATERIAL NO.: SDA-71850-0\*\*\*  
 DOCUMENT NO.: MOLEX INCORPORATED

DRAFT WHERE APPLICABLE MUST REMAIN WITHIN DIMENSIONS  
 SEE TABLE

THIS DRAWING CONTAINS INFORMATION THAT IS PROPRIETARY TO MOLEX INCORPORATED AND SHOULD NOT BE USED WITHOUT WRITTEN PERMISSION

SHEET NO. 2 OF 2

12	11	10	9	8	7	6	5	4	3	2	1
----	----	----	---	---	---	---	---	---	---	---	---