

PLEASE CHECK WWW.MOLEX.COM FOR LATEST PART INFORMATION

Part Number: [0009017065](#)
Status: **Active**
Overview: [edge_card_connectors](#)
Description: 3.96mm (.156") Pitch KK® Crimp Housing, Edge Card Connector, Single-Sided, Surface Mount, Polarized, With Flange, 6 Circuits

Documents:

3D Model	Drawing (PDF)
Packaging Specification (PDF)	RoHS Certificate of Compliance (PDF)

Agency Certification

UL E29179

General

Product Family	Edge Card Connectors
Series	2574
Component Type	Edgecard to Wire
Overview	edge_card_connectors
Product Name	Edge Card, KK®

Physical

Circuits (Loaded)	6
Circuits (maximum)	6
Circuits Detail	All Signal
Color - Resin	Natural
Durability (mating cycles max)	25
Entry Angle	Vertical (Top Entry)
Flammability	94V-2
Keying to Mating Part	N/A
Material - Plating Mating	n/a
Material - Resin	Nylon
PCB Retention	None
PCB Thickness Recommended (in)	0.062 In
PCB Thickness Recommended (mm)	1.60 mm
Packaging Type	Bag
Panel Mount	With Flange
Pitch - Mating Interface (in)	0.156 In
Pitch - Mating Interface (mm)	3.96 mm
Polarized to Mating Part	Yes
Temperature Range - Operating	0°C to +75°C
Termination Interface: Style	N/A

Electrical

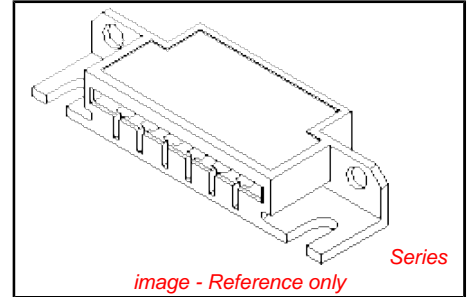
Current - Maximum per Contact	4.25A, 4.5A, 4.75A, 4A, 5A
Voltage - Maximum	250V

Material Info

Old Part Number	2574-06F1BK
-----------------	-------------

Reference - Drawing Numbers

Packaging Specification	PK-2574-001
Sales Drawing	SD-2574



EU RoHS
ELV and RoHS
Compliant
REACH SVHC
 Not Reviewed
Halogen-Free
Status
Not Reviewed

China RoHS



Need more information on product environmental compliance?

Email productcompliance@molex.com
 For a multiple part number RoHS Certificate of Compliance, [click here](#)

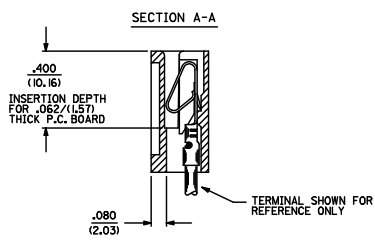
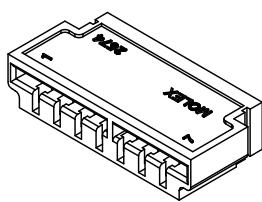
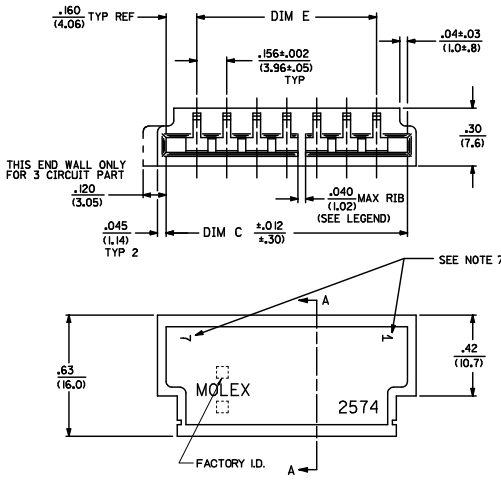
Please visit the [Contact Us](#) section for any non-product compliance questions.

Search Parts in this Series
[2574Series](#)

Mates With
 PCB, 1.6mm (0.62") max. Thickness

Use With
[2878](#) Terminals, [2478](#) Terminals, [2578](#) Terminals, Bifurcated

PLEASE CHECK WWW.MOLEX.COM FOR LATEST PART INFORMATION



- NOTES
1. MATERIAL NYLON 6/6, 94V-2.
 2. FINISH: SEE CRIMP TERMINAL DRAWING.
 3. THIS PRODUCT CONFORMS TO PRODUCT SPECIFICATION PS-08-50.
 4. PACKAGING: BULK PER PK-2574-001
 5. CONNECTOR TO BE USED WITH CRIMP TERMINALS:
2478 → 18-24 GAGE WIRE; .110/(2.79) MAX. INSULATION DIAMETER.
2578 → 22-26 GAGE WIRE; .095/(1.65) MAX. INSULATION DIAMETER.
 6. DIMENSIONS GIVEN ACROSS CENTERLINES ARE SYMMETRICAL ABOUT THOSE CENTERLINES WITHIN ONE HALF THE TOTAL TOLERANCE.
 7. PARTS LESS THAN 7 CIRCUITS ARE TO INDICATE ONLY CIRCUIT NO. 1, ALL OTHERS ARE TO IDENTIFY BOTH THE FIRST AND LAST CIRCUITS.
 8. PART CONFORMS TO CLASS B REQUIREMENTS OF COSMETIC SPECIFICATION PS-45499-002

2574 - N * * *

NO. OF CIRCUITS

COLOR CODE
BL=BLANK/NATURAL
BK=BLACK

OPTION CODE

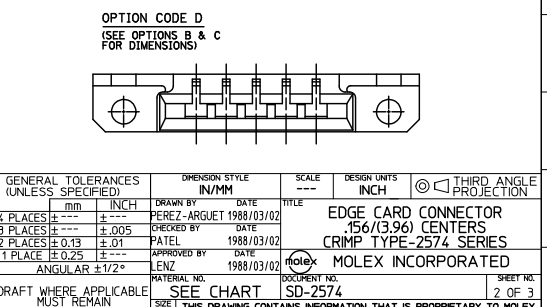
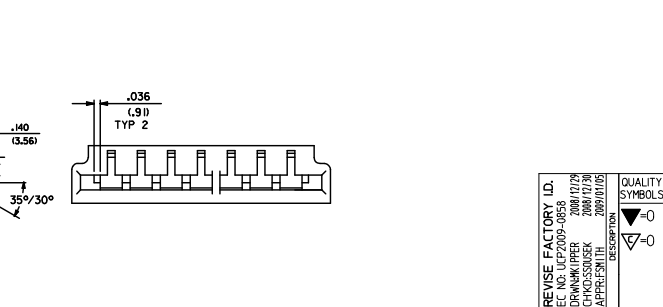
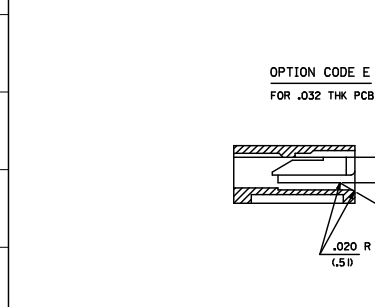
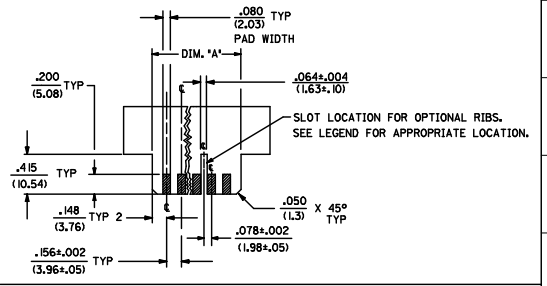
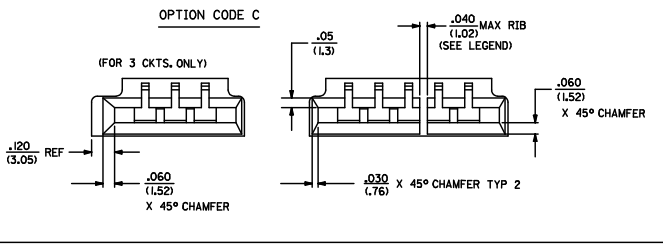
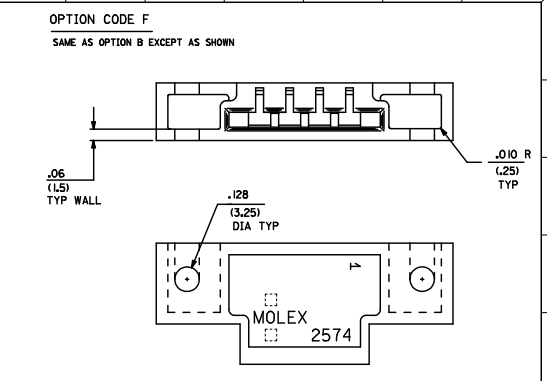
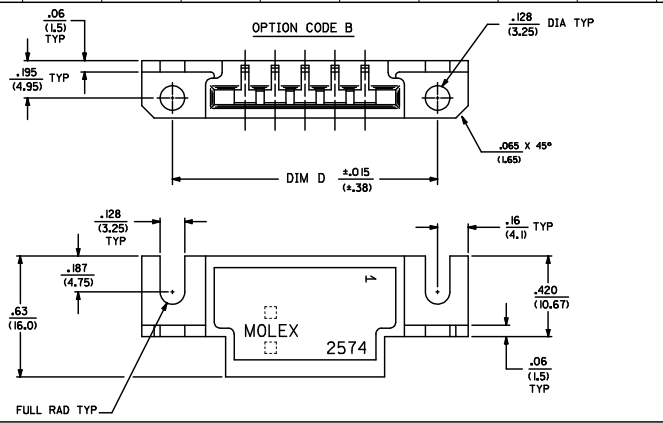
CODE	MOUNTING EARS	CHAMFERED SLOT	PCB THK	MOUNTING HOLES
A	NO	NO	.062	NO
B	YES	NO	.062	NO
C	NO	YES	.062	NO
D	YES	YES	.062	NO
E	NO	NO	.032	NO
F	YES	NO	.062	YES

RIB LOCATION CODE (BETWEEN CKTS)

- 1 = NONE
- 2 = 2-3
- 3 = 3-4
- 4 = 5-6
- 5 = 3-4, 5-6
- 6 = 4-5, 7-8
- 7 = 5-6, 8-9
- 8 = 5-6, 10-11
- 9 = 4-5, 7-8, 11-12
- 10 = 5-6, 10-11, 14-15
- 11 = 5-6, 10-11, 15-16
- 12 = 5-6, 11-12, 16-17
- 13 = 5-6, 11-12, 17-18
- 14 = 4-5, 7-8, 11-12, 15-16
- 15 = 4-5, 8-9, 12-13, 16-17, 20-21
- 16 = 5-6, 11-12, 18-19

ADD PART NUMBERS EDG CARD CONNECTOR C10 CHIKOSUUSEK APPROV: SHT 2008/12/28 2008/12/28 2008/07/05	QUALITY SYMBOLS 0 0	GENERAL TOLERANCES (UNLESS SPECIFIED) 4 PLACES ± .010 3 PLACES ± .015 2 PLACES ± 0.25 1 PLACE ± 0.36 ANGULAR ±1/2°	DIMENSION STYLE IN/MM DRAWN BY PEREZ-ARGUET CHECKED BY PATEL APPROVED BY LENZ DATE 1988/03/02 DATE 1988/03/02 DATE 1988/03/02	SCALE 4:1 DESIGN UNITS INCH THIRD ANGLE PROJECTION	TITLE EDGE CARD CONNECTOR .156/(3.96) CENTERS CRIMP TYPE-2574 SERIES MOLEX INCORPORATED	SHEET NO. 1 OF 3
	DRAFT WHERE APPLICABLE MUST REMAIN WITHIN DIMENSIONS		SEE CHART	DOCUMENT NO. SD-2574	MOLEX INCORPORATED	1 OF 3
	THIS DRAWING CONTAINS INFORMATION THAT IS PROPRIETARY TO MOLEX INCORPORATED AND SHOULD NOT BE USED WITHOUT WRITTEN PERMISSION					
	MOLEX INCORPORATED					

NO. OF CKT'S	DIM. C	DIM. D	DIM. E	DIM. A
3	.632 (16.05)	1.143 (29.03)	.312±.002 (7.92±.005)	.618 (15.70)
4	.788 (20.02)	1.224 (31.09)	.468±.002 (11.89±.05)	.774 (19.66)
5	.944 (23.98)	1.380 (35.05)	.624±.003 (15.85±.08)	.922 (23.42)
6	1.100 (27.94)	1.536 (39.01)	.780±.003 (19.81±.08)	1.078 (27.38)
7	1.256 (31.90)	1.692 (42.98)	.936±.003 (23.77±.08)	1.232 (31.29)
8	1.412 (35.86)	1.848 (46.94)	1.092±.004 (27.74±.10)	1.388 (35.26)
9	1.568 (39.83)	2.004 (50.90)	1.248±.004 (31.70±.10)	1.544 (39.22)
10	1.724 (43.79)	2.160 (54.86)	1.404±.006 (35.66±.15)	1.700 (43.18)
11	1.880 (47.75)	2.316 (58.83)	1.560±.006 (39.62±.15)	1.854 (47.09)
12	2.036 (51.71)	2.472 (62.79)	1.716±.006 (43.59±.15)	2.010 (51.05)
13	2.192 (55.68)	2.628 (66.75)	1.872±.006 (47.55±.15)	2.164 (54.97)
14	2.348 (59.64)	2.784 (70.71)	2.028±.007 (51.51±.18)	2.318 (58.88)
15	2.504 (63.60)	2.940 (74.68)	2.184±.007 (55.47±.18)	2.474 (62.84)
16	2.660 (67.56)	3.096 (78.64)	2.340±.007 (59.44±.18)	2.631 (66.83)
17	2.816 (71.53)	3.252 (82.60)	2.496±.008 (63.40±.20)	2.784 (70.71)
18	2.972 (75.49)	3.408 (86.56)	2.652±.009 (67.36±.23)	2.954 (75.03)
19	3.128 (79.45)	3.564 (90.53)	2.808±.009 (71.32±.23)	3.095 (78.61)
20	3.284 (83.41)	3.720 (94.49)	2.964±.009 (75.29±.23)	3.251 (82.58)
21	3.440 (87.38)	3.876 (98.45)	3.120±.010 (79.25±.25)	3.407 (86.54)
22	3.596 (91.34)	4.032 (102.41)	3.276±.011 (83.21±.25)	3.562 (90.47)
23	3.752 (95.30)	4.188 (106.38)	3.432±.011 (87.17±.28)	3.716 (94.39)
24	3.908 (99.26)	4.344 (110.34)	3.588±.012 (91.14±.30)	3.871 (98.32)



REVISION	DATE	DESCRIPTION
1	2008/07/29	APPROVAL
2	2008/07/29	APPROVAL
3	2008/07/29	APPROVAL
4	2008/07/29	APPROVAL
5	2008/07/29	APPROVAL
6	2008/07/29	APPROVAL
7	2008/07/29	APPROVAL
8	2008/07/29	APPROVAL
9	2008/07/29	APPROVAL
10	2008/07/29	APPROVAL
11	2008/07/29	APPROVAL
12	2008/07/29	APPROVAL
13	2008/07/29	APPROVAL
14	2008/07/29	APPROVAL
15	2008/07/29	APPROVAL
16	2008/07/29	APPROVAL
17	2008/07/29	APPROVAL
18	2008/07/29	APPROVAL
19	2008/07/29	APPROVAL
20	2008/07/29	APPROVAL
21	2008/07/29	APPROVAL
22	2008/07/29	APPROVAL
23	2008/07/29	APPROVAL
24	2008/07/29	APPROVAL

GENERAL TOLERANCES (UNLESS SPECIFIED)		DIMENSION STYLE		SCALE		DESIGN UNITS		THIRD ANGLE PROJECTION	
PLACES	TOLERANCE	IN	MM	IN	MM	IN	MM	IN	MM
4	±.005	±.005	±.005	IN <td>MM</td> <td>IN <td>MM</td> <td>IN <td>MM</td> </td></td>	MM	IN <td>MM</td> <td>IN <td>MM</td> </td>	MM	IN <td>MM</td>	MM
3	±.010	±.010	±.010	IN <td>MM</td> <td>IN <td>MM</td> <td>IN <td>MM</td> </td></td>	MM	IN <td>MM</td> <td>IN <td>MM</td> </td>	MM	IN <td>MM</td>	MM
2	±.015	±.015	±.015	IN <td>MM</td> <td>IN <td>MM</td> <td>IN <td>MM</td> </td></td>	MM	IN <td>MM</td> <td>IN <td>MM</td> </td>	MM	IN <td>MM</td>	MM
1	±.025	±.025	±.025	IN <td>MM</td> <td>IN <td>MM</td> <td>IN <td>MM</td> </td></td>	MM	IN <td>MM</td> <td>IN <td>MM</td> </td>	MM	IN <td>MM</td>	MM
DRAFT WHERE APPLICABLE		SEE CHART		DRAWN BY		DATE		TITLE	
MATERIAL NO.		DOCUMENT NO.		DRAWN BY		DATE		TITLE	
C10		SD-2574		PEREZ-ARGUET		1988/03/02		EDGE CARD CONNECTOR	
				PATEL		1988/03/02		.156/(3.96) CENTERS	
				LENZ		1988/03/02		CRIMP TYPE-2574 SERIES	
				MOLEX INCORPORATED					

2574-NA*		2574-NB*		2574-NC*		2574-ND*		2574-NE*		2574-NF*	
PART NO.	ENG. NO. (SUFFIX ONLY)	PART NO.	ENG. NO. (SUFFIX ONLY)	PART NO.	ENG. NO. (SUFFIX ONLY)	PART NO.	ENG. NO. (SUFFIX ONLY)	PART NO.	ENG. NO. (SUFFIX ONLY)	PART NO.	ENG. NO. (SUFFIX ONLY)
09-01-6031	-3A1	09-01-7031	-3B1	09-01-6038	-3C1	09-01-6082	-3D1		-4E1	09-01-7065	-6F1-BK
09-01-6041	-4A1	09-01-7041	-4B1	009-01-6048	-04C1		-08D1		-6E1	09-01-7087	-8F1-BK
09-01-6051	-5A1	09-01-7051	-5B1	09-01-6088	-08C1		-20D1				
09-01-6064	-6A1	09-01-7064	-6B1		-20C1						
09-01-6081	-8A1	09-01-7081	-8B1								
	-8A1D	09-01-7069	-8B1D								
09-01-6095	-9A2		-8B1D								
09-01-6061	-6A2	09-01-7061	-6B2								
09-01-6085	-8A2	09-01-7085	-8B2								
09-01-6095	-9A2	09-01-7095	-9B2								
09-01-6071	-7A3	09-01-7071	-7B3								
09-01-6086	-8A3	09-01-7086	-8B3								
09-01-6083	-8A4	09-01-7083	-8B4								
09-01-6094	-9A4	09-01-7094	-9B4								
09-01-6091	-9A5	09-01-7091	-9B5								
09-01-6101	-10A6	09-01-7101	-10B6								
09-01-6121	-12A7	09-01-7121	-12B7								
09-01-6129	-12A4	09-01-7129	-12B4								
09-01-6181	-18A8	09-01-7181	-18B8								
09-01-6151	-15A9	09-01-7151	-15B9								
09-01-6161	-16A9	09-01-7161	-16B9								
09-01-6171	-17A10	09-01-7171	-17B10								
09-01-6211	-21A11	09-01-7211	-21B11								
09-01-6224	-22A12	09-01-7224	-22B12								
09-01-6221	-22A13	09-01-7221	-22B13								
09-01-6191	-19A14	09-01-7191	-19B14								
09-01-6241	-24A15	09-01-7241	-24B15								
09-01-7222	-22A16		-6B1-BK								

ADD PART NUMBERS FILED IN SECTION 4085 C/O CHRYSSOSEK APPROX. DATE 2008/07/05	QUALITY SYMBOLS ▼=0 ▽=0	GENERAL TOLERANCES (UNLESS SPECIFIED) <table border="1"> <tr> <th></th> <th>MIN</th> <th>INCH</th> </tr> <tr> <td>4 PLACES ±</td> <td>±.0001</td> <td>±.0001</td> </tr> <tr> <td>3 PLACES ±</td> <td>±.0002</td> <td>±.0002</td> </tr> <tr> <td>2 PLACES ±</td> <td>±.0005</td> <td>±.0005</td> </tr> <tr> <td>1 PLACE ±</td> <td>±.0010</td> <td>±.0010</td> </tr> </table>		MIN	INCH	4 PLACES ±	±.0001	±.0001	3 PLACES ±	±.0002	±.0002	2 PLACES ±	±.0005	±.0005	1 PLACE ±	±.0010	±.0010	DIMENSION STYLE IN/MM	SCALE ---	DESIGN UNITS INCH	THIRD ANGLE PROJECTION
		MIN	INCH																		
	4 PLACES ±	±.0001	±.0001																		
	3 PLACES ±	±.0002	±.0002																		
2 PLACES ±	±.0005	±.0005																			
1 PLACE ±	±.0010	±.0010																			
APPROVED BY PEREZ-ARGUET	DATE 1988/03/02	TITLE EDGE CARD CONNECTOR .156/(3.96) CENTERS CRIMP TYPE-2574 SERIES																			
CHECKED BY PATEL	DATE 1988/03/02	APPROVED BY LENZ	DATE 1988/03/02		MOLEX INCORPORATED																
DRAFT WHERE APPLICABLE MUST REMAIN WITHIN DIMENSIONS	SEE CHART	PATENT NO. SD-2574	DOCUMENT NO. SD-2574	THIS DRAWING CONTAINS INFORMATION THAT IS PROPRIETARY TO MOLEX INCORPORATED AND SHOULD NOT BE USED WITHOUT WRITTEN PERMISSION																	