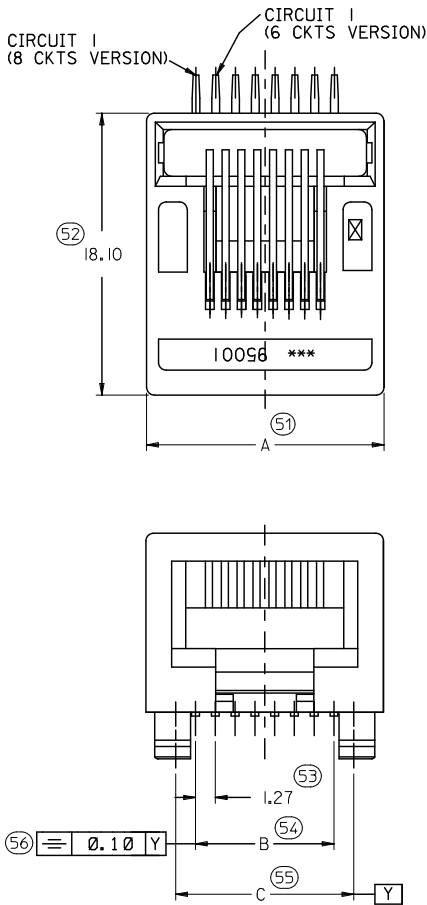


6 & 8 VERSIONS

8 VERSION SHOWN

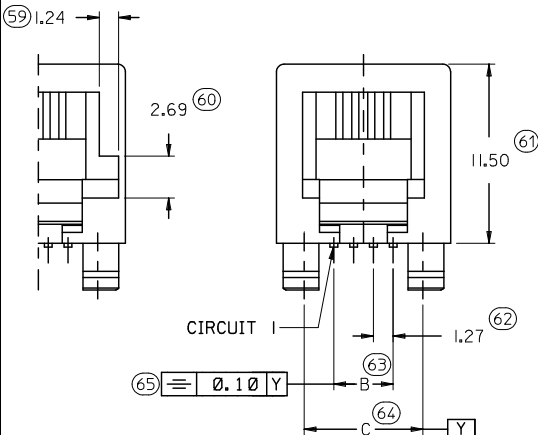


DIM.	TYPE	POS. 4	POS. 6	POS. 8	
		4 CKTS.	4 CKTS.	6 CKTS.	8 CKTS.
A		11.18	13.21	13.21	15.24
C		7.62	10.16	10.16	11.43
B		3.81	3.81	6.35	8.89

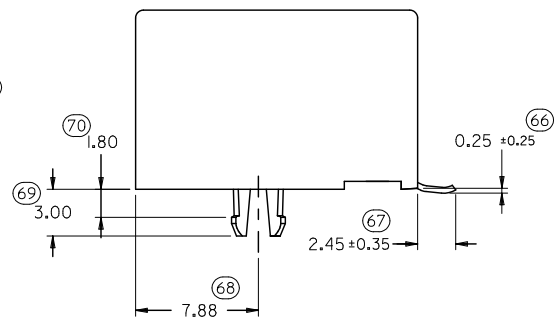
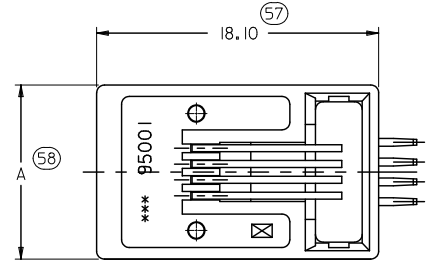
NOTES :

- 1- MATERIAL:
 - HOUSING: LCP GLASS FILLED UL 94V-0, COLOUR BLACK.
 - 2- SEE OTHER NOTES SHEET 1
 - 3- COPLANARITY OF SIGNAL TAILS 0.10MM
- INSPECTION NUMBERS USED: 51 - 100
LAST INSPECTION NUMBER: 70

OPTIONAL KEYING



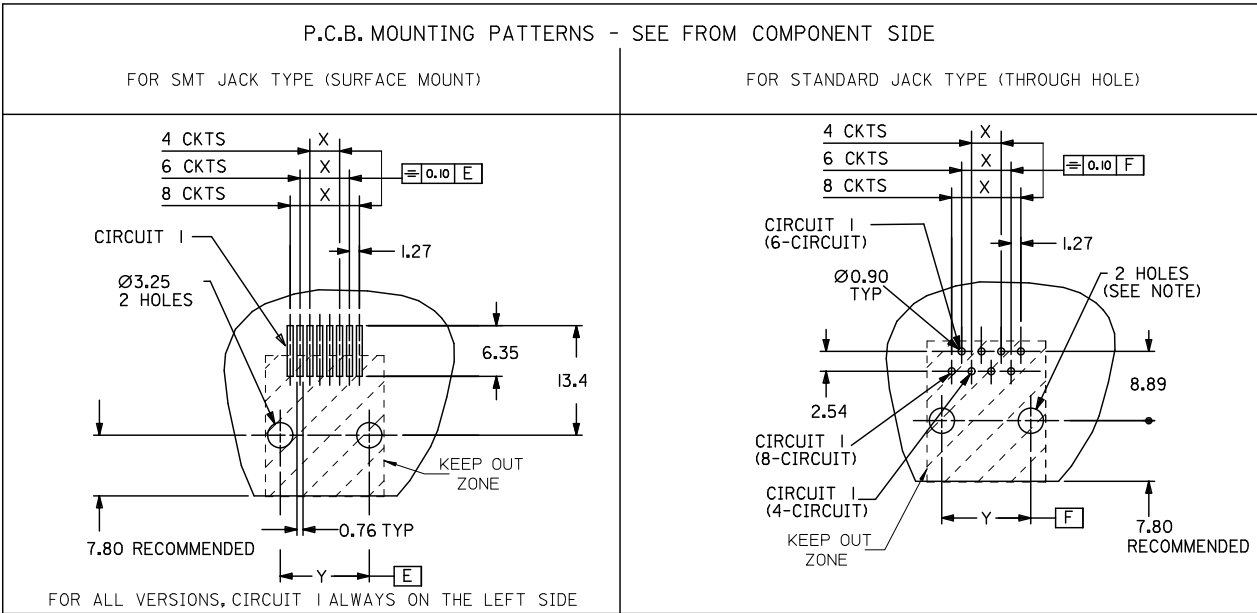
4 VERSION ONLY



REMOVED INCHES EC NO: E2012-0079 DRAWN: O'CONNOR 2011/02/23 CHKD: APPR: EFOLAN 2011/09/28	QUALITY SYMBOLS ▽=0 ▽=0	GENERAL TOLERANCES (UNLESS SPECIFIED)		DIMENSION STYLE MM ONLY		SCALE 4:1	DESIGN UNITS METRIC	THIRD ANGLE PROJECTION	
			mm	INCH	DRAWN BY OBYRNES	DATE 2006/08/02	TITLE R/A LOW PROFILE PC JACK 4,6,8 CKTS SIZE SMT VERSION		
		4 PLACES ± --- ± ---			CHECKED BY EOMAHONY	DATE 2006/08/12	MOLEX INCORPORATED		
		3 PLACES ± --- ± ---			APPROVED BY EOMAHONY	DATE 2006/08/12	DOCUMENT NO. SD-95501-001		
			2 PLACES ± 0.15 ± ---			SHEET NO. 2 OF 5			
			1 PLACE ± 0.25 ± ---			THIS DRAWING CONTAINS INFORMATION THAT IS PROPRIETARY TO MOLEX INCORPORATED AND SHOULD NOT BE USED WITHOUT WRITTEN PERMISSION			
			ANGULAR ± --- °						
			DRAFT WHERE APPLICABLE MUST REMAIN WITHIN DIMENSIONS		MATERIAL NO. SEE CHART SHEETS 4 & 5				
					SIZE A3				

10 9 8 7 6 5 4 3 2 1

DIM.	TYPE	POS. 4	POS. 6		POS. 8
		4 CKTS.	4 CKTS.	6 CKTS.	8 CKTS.
Y ±0.05		7.62	10.16	10.16	11.43
X ±0.05		3.81	3.81	6.35	8.89



NOTE:
 FOR CONVECTION SOLDERING: DIA 3.25±0.05
 FOR WAVE SOLDERING: DIA 3.20±0.10
 ALL DIMENSIONS REF DIMENSIONS

REMOVED INCHES IEC NO: E2012-0079 DRAWN: O'CONNOR 2011/02/23 CHKD: APPR: EFOLAN 2011/09/28	QUALITY SYMBOLS	GENERAL TOLERANCES (UNLESS SPECIFIED) <table border="1" style="width: 100%; border-collapse: collapse;"> <tr> <td></td> <td>mm</td> <td>INCH</td> </tr> <tr> <td>4 PLACES</td> <td>± ---</td> <td>± ---</td> </tr> <tr> <td>3 PLACES</td> <td>± ---</td> <td>± ---</td> </tr> <tr> <td>2 PLACES</td> <td>± 0.15</td> <td>± ---</td> </tr> <tr> <td>1 PLACE</td> <td>± 0.25</td> <td>± ---</td> </tr> <tr> <td colspan="3" style="text-align: center;">ANGULAR ± --- °</td> </tr> </table>		mm	INCH	4 PLACES	± ---	± ---	3 PLACES	± ---	± ---	2 PLACES	± 0.15	± ---	1 PLACE	± 0.25	± ---	ANGULAR ± --- °			DIMENSION STYLE MM ONLY	SCALE 2:1	DESIGN UNITS METRIC	THIRD ANGLE PROJECTION
			mm	INCH																				
	4 PLACES		± ---	± ---																				
	3 PLACES		± ---	± ---																				
2 PLACES	± 0.15	± ---																						
1 PLACE	± 0.25	± ---																						
ANGULAR ± --- °																								
▽=0	▽=0	DRAWN BY OBYRNES	DATE 2006/08/02	TITLE R/A LOW PROFILE JACK PC JACK 4,6,8 CKT SIZE SMT AND STANDARD VERSION																				
DRAFT WHERE APPLICABLE MUST REMAIN WITHIN DIMENSIONS	APPROVED BY EOMAHONY	DATE 2006/08/12	MATERIAL NO. SEE CHART SHEETS 4 & 5																					
		DOCUMENT NO. SD-95501-001		SHEET NO. 3 OF 5																				

10 9 8 7 6 5 4 3 2 1

SPECIAL PACKAGING TUBE, SEE PACKAGING SPEC PK95001 SHEET 3

PART NO FOR JACK ASSEMBLY
THROUGH HOLE VERSION

PART NO FOR JACK ASSEMBLY
SMT VERSION

HOUSING SIZE	LOADED CONTACTS	PLATING	LCP GLASS FILED 94V0, COLOR BLACK.								
			NO KEY		KEY		TOOLED				
			NOT RIBBED	TOOLED	NOT RIBBED	TOOLED	TOOLED	TOOLED			
4	4	2	95501-2401	X							
		7	95501-7401	X							
6	4	2	95501-2601	X							
		7	95501-7601	X							
6	6	2	95501-2611	X							
		7	95501-7611	X							
8	8	2	95501-2821	X							
		7	95501-7821	X							

PLATING	LCP GLASS FILLED 94V0 COLOUR BLACK					
	NO KEY		KEY		TOOLED	
	NOT RIBBED	TOOLED	NOT RIBBED	TOOLED	NOT RIBBED	TOOLED
2	95501-6449	X				
	95501-7449	X				
7	95501-6649	X				
	95501-7649	X				
2	95501-6669	X				
	95501-7669	X				
7	95501-6889	X	95501-6890	X		
	95501-7889	X	95501-7890	X		

ADDED OPTIONS EC NO: E2012-0079 DRAWN: O'CONNOR 2011/02/23 CHYD: APPR: EFOLAN 2011/09/28 REV DESCRIPTION	QUALITY SYMBOLS	GENERAL TOLERANCES (UNLESS SPECIFIED)	DIMENSION STYLE	SCALE	DESIGN UNITS	THIRD ANGLE PROJECTION	
	▽=0 ▽=0	mm INCH	MM ONLY	---	METRIC		
		4 PLACES ±--- ±--- 3 PLACES ±--- ±--- 2 PLACES ±--- ±--- 1 PLACE ±--- ±---	DRAWN BY DATE OBYRNES 2006/08/02 CHECKED BY DATE EOMAHONY 2006/08/12 APPROVED BY DATE EOMAHONY 2006/08/12	TITLE	LOW PROFILE R/A JACK STANDARD AND SMT VERSION TUBE PACKAGING		
		ANGULAR ±---°	MATERIAL NO. SEE CHART	MOLEX INCORPORATED	DOCUMENT NO. SD-95501-001	SHEET NO. 5 OF 5	

tb_frame_A3_P_ME_T
Rev. D 2004/04/02

9 8 7 6 5 4 3 2 1