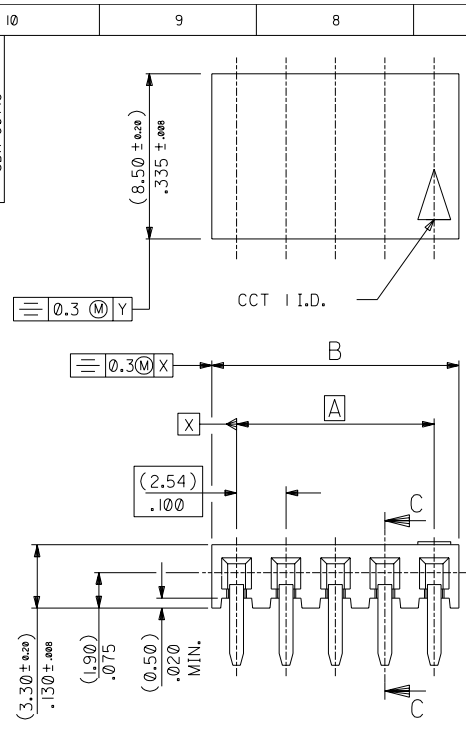
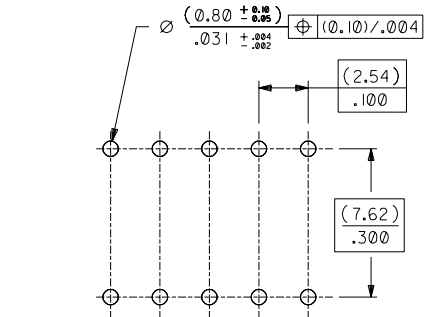


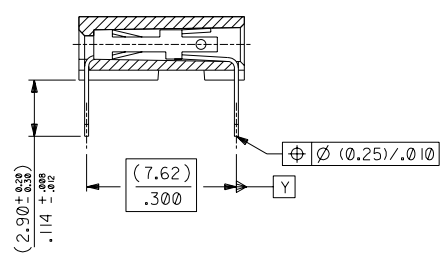
PART NO. SEE CHART
 DWG. NO. SDA-90148



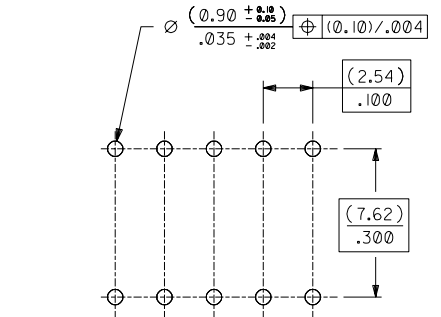
- NOTES
- CONTACT-PLATED PHOSPHOR BRONZE. (SEE SHEET 2)
 - HOUSING
 POLYESTER (PBT), 15% GLASS FILL, UL94-V0.
 COLOR: BLACK.
 ALSO
 POLYAMIDE (PA4/6), 30% GLASS FILL, UL94-V0.
 COLOR: NATURAL.
 - FOR (0.635) / .025 SQ. MALE PINS THE LENGTH MUST BE (5.65) / .222 MIN & (7.00) / .276 MAX. TO ENSURE GOOD CONNECTION WITH CONTACT.



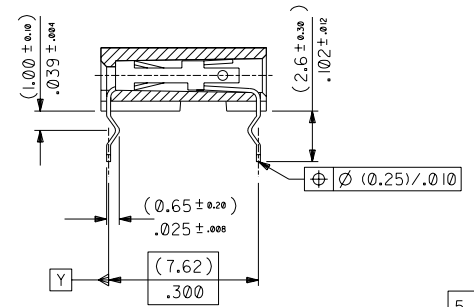
RECOMMENDED P.C. BOARD HOLE PATTERN FOR STRAIGHT PINS



SECTION C-C SHOWING STRAIGHT PINS



RECOMMENDED P.C. BOARD HOLE PATTERN FOR KINKED PINS.
 RECOMMENDED BOARD THICKNESS (1.20 - 1.700) / .031 - .067



SECTION C-C SHOWING KINKED PINS

5	AD
4	AC
3	AD
2	AF
1	AG

MODIFIED TOLS EC NO. E2004-0760 DRWINGBYRNES 04/02/9 CHK: BMAGUIRE 04/02/9 APPREMIAGUIRE 04/02/9	QUALITY SYMBOLS MAJOR CRITICAL C	GENERAL TOLERANCES: (UNLESS SPECIFIED)		SCALE 5:1	DESIGN UNITS <input type="checkbox"/> mm <input checked="" type="checkbox"/> INCH	THIRD ANGLE PROJECTION	DIMENSIONS: <input type="checkbox"/> mm <input type="checkbox"/> INCH <input type="checkbox"/> mm ONLY		SHT	REV	
		4 PLACES ±0.	±.	DRAWN BY & DATE DB 14/07/87	TITLE: C-GRID III SINGLE ROW HORIZONTAL P.C. BOARD CONNECTOR						
		3 PLACES ±0.	±.	CHECKED BY & DATE	APPROVED BY & DATE		MATERIAL NO. SEE CHART		DRAWING NO. SDA-90148	SHEET NO. 1 OF 5	
		2 PLACES ±0.	±0.15		CAD FILENAME		MOLEX INCORPORATED				
1 PLACE ±0.	±.	ANGULAR: ± 2°		DRAFT WHERE APPLICABLE MUST REMAIN WITHIN DIMENSIONS		THIS DRAWING CONTAINS INFORMATION THAT IS PROPRIETARY TO MOLEX INCORPORATED AND SHOULD NOT BE USED WITHOUT WRITTEN PERMISSION.		SIZE B			

PART NO. SEE CHART
 Dwg. No. SDA-90148

PART NO.	PART NO.	PART NO.	NO. OF CKTS.	DIM. A	DIM. B $(\pm \frac{0.30}{0.02})$	NO. PER TUBE	CCT / I.D. COLOUR
90148-1X02	90148-2X02	90148-4X02	2	(2.54) .100	(5.08) .200	105	NONE
03	03	03	3	(5.08) .200	(7.62) .300	72	
04	04	04	4	(7.62) .300	(10.16) .400	52	
05	05	05	5	(10.16) .400	(12.70) .500	44	
06	06	06	6	(12.70) .500	(15.24) .600	36	
07	07	07	7	(15.24) .600	(17.78) .700	30	
08	08	08	8	(17.78) .700	(20.32) .800	26	
09	09	09	9	(20.32) .800	(22.86) .900	24	
10	10	10	10	(22.86) .900	(25.40) 1.000	22	
11	11	11	11	(25.40) 1.000	(27.94) 1.100	18	
12	12	12	12	(27.94) 1.100	(30.48) 1.200	18	
13	13	13	13			16	
14	14	14	14	(33.02) 1.300	(35.56) 1.400	14	
15	15	15	15	(35.56) 1.400	(38.10) 1.500	14	
16	16	16	16			13	
17	17	17	17			12	
18	18	18	18	(43.18) 1.700	(45.72) 1.800	12	
19	19	19	19	(45.72) 1.800	(48.26) 1.900	12	
20	20	20	20	(48.26) 1.900	(50.80) 2.000	11	
21	21	21	21			10	
22	22	22	22			10	
23	23	23	23			10	
24	24	24	24			9	
25	25	25	25	(60.96) 2.400	(63.50) 2.500	8	
26	26	26	26	(63.50) 2.500	(66.04) 2.600	8	
27	27	27	27			8	
28	28	28	28			7	
29	29	29	29			7	
30	30	30	30	(73.66) 2.900	(76.20) 3.000	7	
31	31	31	31			7	
90148-1X32	90148-2X32	90148-4X32	32	(78.74) 3.100	(81.28) 3.200	6	NONE

PLATING VERSION A

PRE-PLATED HOT DIP TIN
 1.0 TO 2.5 microns (.00004" TO .00010").

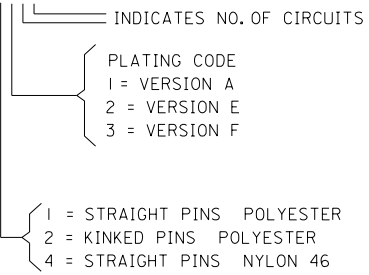
PLATING VERSION E

1.27 TO 1.78 microns (.00005" TO .00007") NICKEL
 OVERALL, 0.38 TO 0.64 microns (.000015" TO .000025")
 GOLD ON CONTACT AREA (OVER NICKEL).
 3 TO 5 microns (.00012" TO .00020") TIN
 ON SOLDER TAILS (OVER NICKEL).

PLATING VERSION F.

1.27 TO 1.78 microns (.00005" TO .00007") NICKEL
 OVERALL, 0.76 TO 1.0 microns (.00003" TO .00004")
 GOLD ON CONTACT AREA (OVER NICKEL).
 3 TO 5 microns (.00012" TO .00020") TIN
 ON SOLDER TAILS (OVER NICKEL).

90148-XXYY



FOR PREVIOUS DRAWING ISSUES SEE MRI.

LEAD FREE CONVERSION NEW BOMBS ADDED EC NO. E2004-0610 DRAWN: PSHEAHAN 08/01/2004 CHK: APPR: AC	QUALITY SYMBOLS MAJOR CRITICAL	GENERAL TOLERANCES: (UNLESS SPECIFIED) mm INCH 4 PLACES ±0. INCH 3 PLACES ±0. INCH 2 PLACES ±0. INCH 1 PLACE ±0. INCH ANGULAR: ± °	SCALE DESIGN UNITS <input checked="" type="checkbox"/> mm <input type="checkbox"/> INCH DRAWN BY & DATE DB 14/ 7/87 CHECKED BY & DATE APPROVED BY & DATE CAD FILENAME S490Hx2 DGN MATERIAL NO. SEE CHART DRAWING NO. SDA-90148 SHEET NO. 20F SIZE B	DIMENSIONS: <input checked="" type="checkbox"/> mm <input type="checkbox"/> INCH <input type="checkbox"/> mm ONLY SHT REV REVISE ON CAD ONLY
	DESCRIPTION	TITLE: C-GRID III SINGLE ROW HORIZONTAL P.C. BOARD CONNECTOR	MOLEX INCORPORATED	
	DRAFT WHERE APPLICABLE MUST REMAIN WITHIN DIMENSIONS	THIS DRAWING CONTAINS INFORMATION THAT IS PROPRIETARY TO MOLEX INCORPORATED AND SHOULD NOT BE USED WITHOUT WRITTEN PERMISSION.		

7132-1283