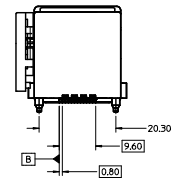
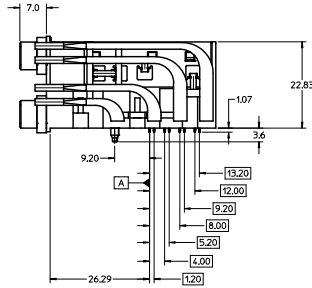
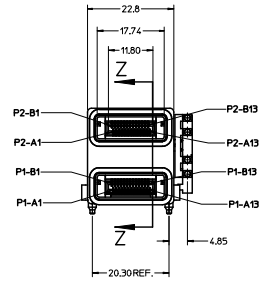
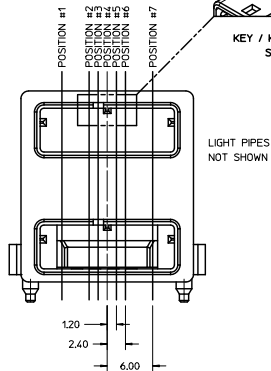
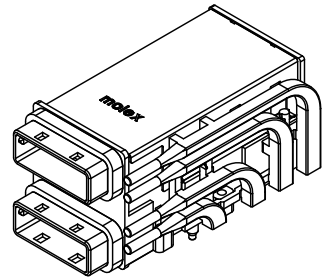
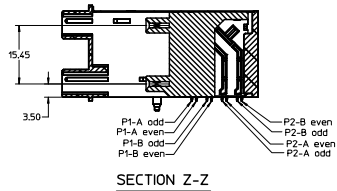
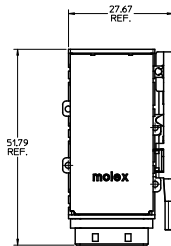
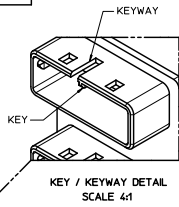
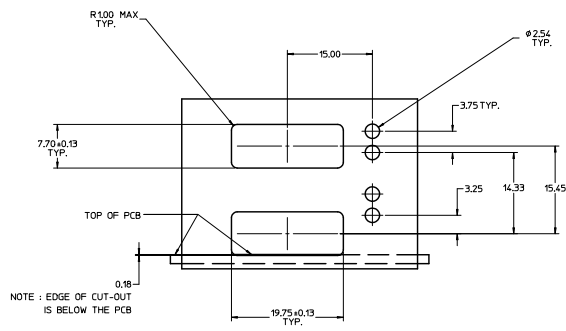


KEY/KEYWAY OPTIONS			
PART NUMBER	KEY POSITION	KEYWAY POSITION	
75758-0001	NONE	NONE	
75758-0002	#3	NONE	
75758-0003	#4	NONE	
75758-0004	#4	#3 & #5	
75758-0005	NONE	#3 & #5	



- NOTES :
- MATERIALS :
CONNECTOR HOUSING - HIGH TEMP THERMOPLASTIC,
GLASS-FILLED, UL94V-0,
COLOR - BLACK
EMI HOUSING - DIE CAST ALLOY, NICKEL PLATED FINISH
COVER - STAINLESS STEEL ALLOY
CPI TERMINALS - COPPER ALLOY
EMI GASKETS - CONDUCTIVE POLYMER
LIGHT PIPE - CLEAR THERMOPLASTIC, UL94V-0
 - TERMINAL PLATING :
CONTACT AREA - 0.76µM MN GOLD OVER 2.54µM MN NICKEL.
COMPLIANT AREA - 0.76-152µM TIN/LEAD 190/101 OVER
2.54µM MN NICKEL.
 - PACKAGING SPECIFICATION : TRAY PACK IN BOX.
 - REFER TO PS-75586-001 PRODUCT SPEC FOR ALL ELECTRICAL, MECHANICAL AND ENVIRONMENTAL SPECIFICATIONS.
 - THIS CONNECTOR IS DESIGNED TO MATE WITH MOLEX CABLE SERIES 74548.
 - REQUIRES MOUNTING HARDWARE : 03 H2 X 8MM CAP SCREWS OR EQUIV.
MAX. TORQUE 2.3 in/ft.lbs.

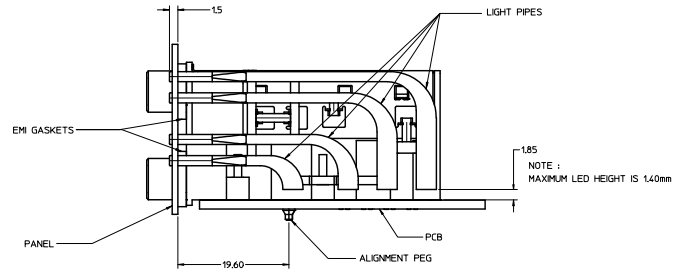
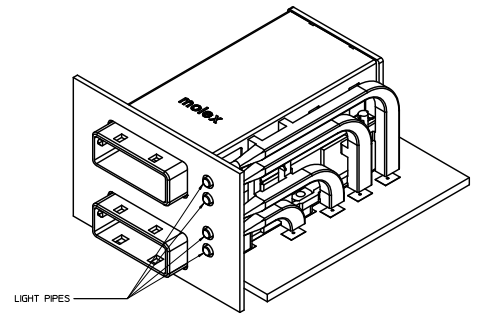
ADD LEAD-FREE #S EOL, AS-132, 101 DRW: JANTELEZIO CHKCD: 2011/11/14 APPR: BANAKIS REV: 2011/11/20	QUALITY SYMBOLS □=0 ▽=0 ▽=0	GENERAL TOLERANCES (UNLESS SPECIFIED) <table border="1"> <thead> <tr> <th>PLACES</th> <th>TOL</th> <th>UNIT</th> </tr> </thead> <tbody> <tr> <td>4 PLACES</td> <td>+/- .10</td> <td>mm</td> </tr> <tr> <td>3 PLACES</td> <td>+/- .08</td> <td>mm</td> </tr> <tr> <td>2 PLACES</td> <td>+/- 0.25</td> <td>mm</td> </tr> <tr> <td>1 PLACE</td> <td>+/- 0.25</td> <td>mm</td> </tr> </tbody> </table> ANGULAR ±1/2° DRAFT WHERE APPLICABLE MUST REMAIN WITHIN DIMENSIONS	PLACES	TOL	UNIT	4 PLACES	+/- .10	mm	3 PLACES	+/- .08	mm	2 PLACES	+/- 0.25	mm	1 PLACE	+/- 0.25	mm	DIMENSION STYLE: MM ONLY SCALE: 2:1 DESIGN UNITS: METRIC THIRD ANGLE PROJECTION	DRAWN BY: JANTELEZIO DATE: 02/05/2008 CHECKED BY: KLANG DATE: 02/05/2008 APPROVED BY: BANAKIS DATE: 02/05/2008	TITLE: IPASS STACKED 26/26 CIRCUIT CONNECTOR W/LIGHT PIPES MOLEX INCORPORATED	MATERIAL NO.: 75758-000* DOCUMENT NO.: SD-75758-001	SHEET NO.: 1 OF 3
	PLACES	TOL	UNIT																			
	4 PLACES	+/- .10	mm																			
3 PLACES	+/- .08	mm																				
2 PLACES	+/- 0.25	mm																				
1 PLACE	+/- 0.25	mm																				
THIS DRAWING CONTAINS INFORMATION THAT IS PROPRIETARY TO MOLEX INCORPORATED AND SHOULD NOT BE USED WITHOUT WRITTEN PERMISSION																						
MOLEX																						



NOTE : EDGE OF CUT-OUT IS BELOW THE PCB

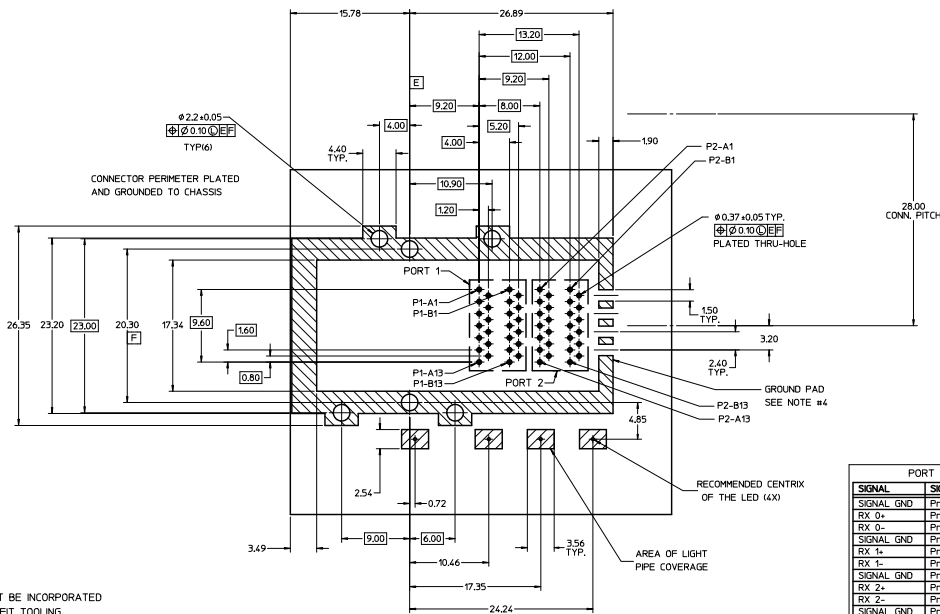
PANEL CUT-OUT

MAXIMUM THICKNESS = 150
(NOT SUPPLIED)



ASSEMBLY VIEW

SEE SHEET 1 ELEC. NO. 75758-0003 DRAWN BY: J. JANTELEZIO CHKD: KLANG APPR: BANAKIS DATE: 2011/10/13 DATE: 2011/10/20	QUALITY SYMBOLS	GENERAL TOLERANCES (UNLESS SPECIFIED)	DIMENSION STYLE MM ONLY	SCALE	DESIGN UNITS	THIRD ANGLE PROJECTION	
	4 PLACES ± 0.15 3 PLACES ± 0.25 2 PLACES ± 0.25 1 PLACE ± 0.25	mm ± --- INCH ± --- mm ± 0.25 INCH ± 1/2°	DRAWN BY: J. JANTELEZIO DATE: 02/05/2008 CHECKED BY: KLANG DATE: 02/05/2008 APPROVED BY: BANAKIS DATE: 02/05/2008	TITLE IPASS STACKED 26/26 CIRCUIT CONNECTOR W/LIGHT PIPES	3:1	METRIC	
	DRAFT WHERE APPLICABLE MUST REMAIN WITHIN DIMENSIONS	MATERIAL NO. 75758-0003	DOCUMENT NO. SD-75758-001	MOLEX INCORPORATED			SHEET NO. 2 OF 3
		THIS DRAWING CONTAINS INFORMATION THAT IS PROPRIETARY TO MOLEX INCORPORATED AND SHOULD NOT BE USED WITHOUT WRITTEN PERMISSION					



PORT 1		PORT 2	
SIGNAL	SIGNAL PIN	SIGNAL	SIGNAL PIN
SIGNAL GND	Pn-A1	SIGNAL GND	Pn-B1
RX 0+	Pn-A2	TX 0+	Pn-B2
RX 0-	Pn-A3	TX 0-	Pn-B3
SIGNAL GND	Pn-A4	SIGNAL GND	Pn-B4
RX 1+	Pn-A5	TX 1+	Pn-B5
RX 1-	Pn-A6	TX 1-	Pn-B6
SIGNAL GND	Pn-A7	SIGNAL GND	Pn-B7
RX 2+	Pn-A8	TX 2+	Pn-B8
RX 2-	Pn-A9	TX 2-	Pn-B9
SIGNAL GND	Pn-A10	SIGNAL GND	Pn-B10
RX 3+	Pn-A11	TX 3+	Pn-B11
RX 3-	Pn-A12	TX 3-	Pn-B12
SIGNAL GND	Pn-A13	SIGNAL GND	Pn-B13

PIN ASSIGNMENT

RECOMMENDED PCB LAYOUT
THICKNESS = 1.35mm MIN.

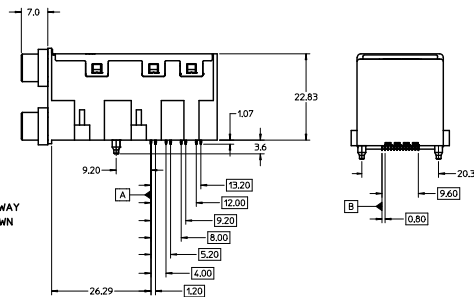
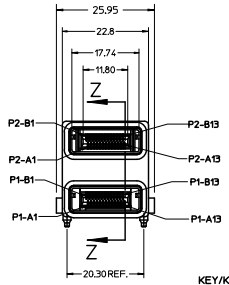
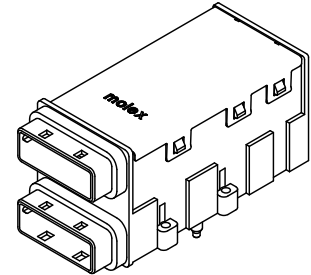
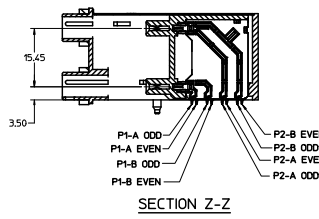
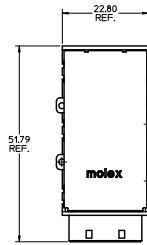
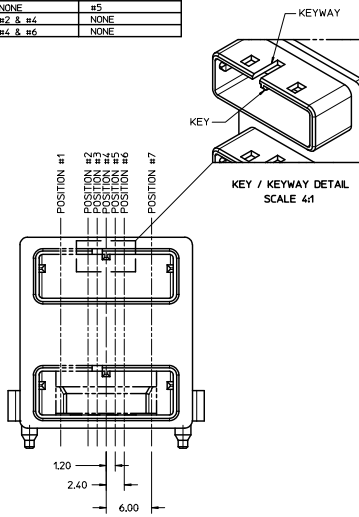
- NOTES:
- CROSS-HATCHED AREA MUST BE INCORPORATED IN THE FLAT ROCK PRESS-FIT TOOLING.
 - RECOMMENDED LED'S INCLUDE THE FOLLOWING :
DIALIGHT : 597-77x1-5xx SERIES
CHICAGO MINIATURE : 7016 SERIES
KINGBRIGHT : APBL3025 SERIES (BICOLOR)
APL3015 SERIES (SINGLE COLOR)
 - LED'S MUST HAVE A MAXIMUM HEIGHT OF 1.4mm AND A MINIMUM HEIGHT OF 0.7mm
 - PLATE GROUND PAD WITH EMERSION SILVER OR GOLD.
 - RECOMMENDED DRILL SIZE FOR 0.37 ϕ FINISHED PTH IS 0.457 ϕ (477 DRILL)
 - RECOMMENDED ANNULAR RING AROUND 0.37 ϕ FINISHED PTH IS 0.73 ϕ

SEE SHEET 1 ELEC. MFG. 102-1063 DRAWING NO. 2011/10/13 CHKD: [blank] APPR: BANAKIS 2011/10/20	QUALITY SYMBOLS	GENERAL TOLERANCES (UNLESS SPECIFIED)	DIMENSION STYLE	SCALE	DESIGN UNITS	THIRD ANGLE PROJECTION
	$\nabla=0$	4 PLACES ± --- INCH	MM ONLY	2:1	METRIC	☉
	$\nabla=0$	3 PLACES ± --- INCH				
	$\nabla=0$	2 PLACES ± 0.25 INCH				
		1 PLACE ± 0.25 INCH				
		ANGULAR ± 1/2°				
	DRAFT WHERE APPLICABLE MUST REMAIN WITHIN DIMENSIONS					
			DRAWN BY	DATE	FILE	
			JJANTELEZ10	02/05/2008		
			CHECKED BY	DATE		
			KLANG	02/05/2008		
			APPROVED BY	DATE		
			BANAKIS	02/05/2008		
			MATERIAL NO.	DOCUMENT NO.		
			75758-000	SD-75758-001		
			THIS DRAWING CONTAINS INFORMATION THAT IS PROPRIETARY TO MOLEX INCORPORATED AND SHOULD NOT BE USED WITHOUT WRITTEN PERMISSION			
						SHEET NO. 3 OF 3

20 19 18 17 16 15 14 13 12 11 10 9 8 7 6 5 4 3 2 1

KEYING & PLATING OPTIONS

TIN/LEAD	LEAD FREE	KEY POSITION	KEYWAY POSITION
75758-0101	75758-0201	NONE	NONE
75758-0102	75758-0202	#3	NONE
75758-0103	75758-0203	#4	NONE
75758-0104	75758-0204	#4	#3 & #5
75758-0105	75758-0205	NONE	#3 & #5
75758-0106	75758-0206	#4	#3
75758-0107	75758-0207	NONE	#3
75758-0108	75758-0208	#4	#5
75758-0109	75758-0209	NONE	#5
75758-0110	75758-0210	#2 & #4	NONE
75758-0111	75758-0211	#4 & #6	NONE



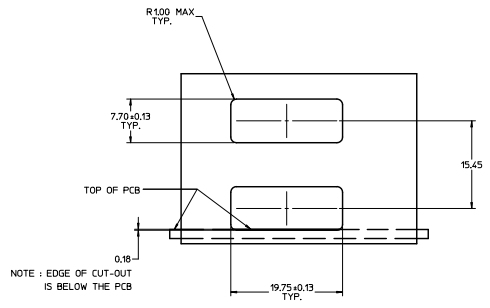
- NOTES :
- MATERIALS :
CONNECTOR HOUSING - HIGH TEMP THERMOPLASTIC, GLASS-FILLED, UL94V-0, COLOR - BLACK
EMI HOUSING - DIE CAST ALLOY, FINISH: NICKEL
COVER - STAINLESS STEEL ALLOY
CPI TERMINALS - COPPER ALLOY
EMI GASKETS - CONDUCTIVE POLYMER
 - TERMINAL PLATING : SEE CHART
OPTION 1) TIN/LEAD - CONTACT AREA - 0.7µM GOLD OVER 2.5µM NICKEL.
COMPLIANT AREA - 0.7-1.5µm TIN/LEAD (90/10) OVER 1.2µm NICKEL.
OPTION 2) LEAD FREE - CONTACT AREA - 0.7µM GOLD OVER 2.5µM NICKEL.
COMPLIANT AREA - 0.7-1.5µm TIN (TIN ONLY) OVER 1.2µm NICKEL.
 - PACKAGING SPECIFICATION : TRAY PACK (TBD)
 - REFER TO PS-75586-001 PRODUCT SPEC FOR ALL ELECTRICAL, MECHANICAL AND ENVIRONMENTAL SPECIFICATIONS.
 - THIS CONNECTOR IS DESIGNED TO MATE WITH MOLEX CABLE SERIES 74548.
 - REQUIRES MOUNTING HARDWARE : (4) M2 X 8MM CAP SCREWS OR EQUIV. MAX. TORQUE 2.3 in./lb.
 - PRODUCT IS ROHS COMPLIANT.

ADD LEAD-FREE ESD: 2011/08/14 D: 2011/08/14 CHKD: MBANAKIS APPR: MBANAKIS REV: 2011/10/20	QUALITY SYMBOLS	GENERAL TOLERANCES (UNLESS SPECIFIED)	DIMENSION STYLE	SCALE	DESIGN UNITS	THIRD ANGLE PROJECTION
	$\nabla=0$ $\nabla=0$ $\nabla=0$	4 PLACES ± --- ± --- 3 PLACES ± --- ± --- 2 PLACES ± 0.25 ± --- 1 PLACE ± 0.25 ± --- ANGULAR ±1/2°	mm INCH mm ONLY	2:1	METRIC	
	DRAWN BY: JJANTELEZIO CHECKED BY: KLANG APPROVED BY: MBANAKIS DATE: 01/23/08 DATE: 01/23/08 DATE: 01/23/08	TITLE: IPASS STACKED 26/26 CIRCUIT CONNECTOR	MATERIAL NO.: 75758-0101 DOCUMENT NO.: SD-75758-010	SHEET NO.: 1 OF 3		
	DRAFT WHERE APPLICABLE MUST REMAIN WITHIN DIMENSIONS					

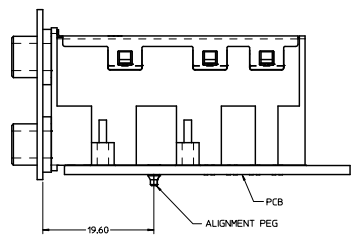
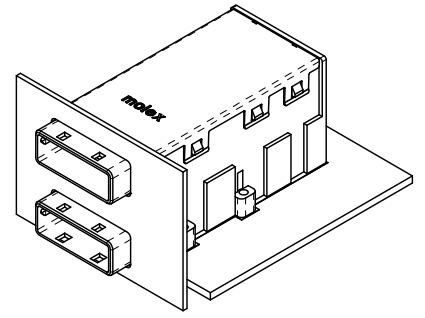
12:Frame_D.P_AH.1 Rev. F 2009/06/17 19 18 17 16 15 14 13 12 11 10 9 8 7 6 5 4 3 2 1

20 19 18 17 16 15 14 13 12 11 10 9 8 7 6 5 4 3 2 1

M L K J I H G F E D C B A



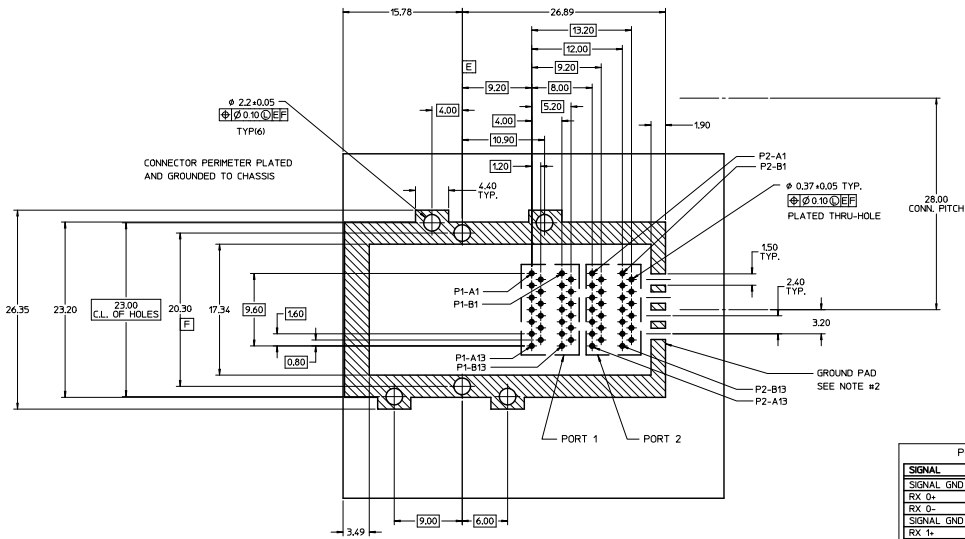
PANEL CUT-OUT
 MAXIMUM THICKNESS = 1.50
 (NOT SUPPLIED)



ASSEMBLY VIEW

SEE SHEET 1 SPEC. NO. JET2012-1063 DRAWN BY JJEANLEZIO 2011/09/14 CHKD: DCPWASS001EL APPR: MBANAKIS 2011/10/20	QUALITY SYMBOLS	GENERAL TOLERANCES (UNLESS SPECIFIED)	DIMENSION STYLE	SCALE	DESIGN UNITS	THIRD ANGLE PROJECTION
	▽=0	4 PLACES ± --- mm ± --- INCH	MM ONLY	3:1	METRIC	⊙
	▽=0	3 PLACES ± --- mm ± --- INCH	DRAWN BY JJANTELEZIO DATE 01/23/08			
	▽=0	2 PLACES ± 0.25 mm ± --- INCH	CHECKED BY KLANG DATE 01/23/08			
		1 PLACE ± 0.25 mm ± --- INCH	APPROVED BY MBANAKIS DATE 01/23/08			
		ANGULAR ± 1/2°				
	DRAFT WHERE APPLICABLE MUST REMAIN WITHIN DIMENSIONS		MATERIAL NO. 75758-010*		DOCUMENT NO. SD-75758-010	SHEET NO. 2 OF 3
			THIS DRAWING CONTAINS INFORMATION THAT IS PROPRIETARY TO MOLEX INCORPORATED AND SHOULD NOT BE USED WITHOUT WRITTEN PERMISSION			

15:Jrsmo_DLP_AH.1 Rev. F 2009/06/17 19 18 17 16 15 14 13 12 11 10 9 8 7 6 5 4 3 2 1



PORT 1		PORT 2	
SIGNAL	SIGNAL PIN	SIGNAL	SIGNAL PIN
SIGNAL GND	A1	SIGNAL GND	B1
RX 0+	A2	TX 0+	B2
RX 0-	A3	TX 0-	B3
SIGNAL GND	A4	SIGNAL GND	B4
RX 1+	A5	TX 1+	B5
RX 1-	A6	TX 1-	B6
SIGNAL GND	A7	SIGNAL GND	B7
RX 2+	A8	TX 2+	B8
RX 2-	A9	TX 2-	B9
SIGNAL GND	A10	SIGNAL GND	B10
RX 3+	A11	TX 3+	B11
RX 3-	A12	TX 3-	B12
SIGNAL GND	A13	SIGNAL GND	B13

PIN ASSIGNMENT

NOTES:

- CROSS-HATCHED AREA MUST BE INCORPORATED IN THE FLAT ROCK PRESS-FIT TOOLING.
- RECOMMENDED LED'S INCLUDE THE FOLLOWING :
 DIALIGHT : 597-77x1-5xx SERIES
 CHICAGO MINATURE : 70% SERIES
 KINGBRIGHT : APBL3015 SERIES (BICOLOR)
 APL3015 SERIES (SINGLE COLOR)
- LED'S MUST HAVE A MAXIMUM HEIGHT OF 1.4mm AND A MINIMUM HEIGHT OF 0.7mm
- PLATE GROUND PAD WITH EMERSION SILVER OR GOLD.
- RECOMMENDED DRILL SIZE FOR 0.37 ϕ FINISHED PTH IS 0.457 ϕ (ø77 DRILL)
- RECOMMENDED ANNULAR RING AROUND 0.37 ϕ FINISHED PTH IS 0.73 ϕ

RECOMMENDED PCB LAYOUT

THICKNESS - 1.35mm MIN.

SPEC SHEET 1 ELEM: 300102-1063 DESK: 300102-1063 CHKD: MANSOURI APPR: MBANAKIS DATE: 2011/09/14	QUALITY SYMBOLS	GENERAL TOLERANCES (UNLESS SPECIFIED)	DIMENSION STYLE	SCALE	DESIGN UNITS	THIRD ANGLE PROJECTION
	$\nabla=0$ $\nabla=0$ $\nabla=0$	4 PLACES ± --- INCH 3 PLACES ± --- INCH 2 PLACES ± 0.25 INCH 1 PLACE ± 0.25 INCH ANGULAR ± 1/2°	MM ONLY DRAWN BY: JJANTELEZIO CHECKED BY: KLANG APPROVED BY: MBANAKIS DATE: 01/23/08 DATE: 01/23/08 DATE: 01/23/08	2:1	METRIC	IPASS STACKED 26/26 CIRCUIT CONNECTOR
	DRAFT WHERE APPLICABLE MUST REMAIN WITHIN DIMENSIONS	MATERIAL NO. 75758-010	DOCUMENT NO. SD-75758-010	MOLEX INCORPORATED THIS DRAWING CONTAINS INFORMATION THAT IS PROPRIETARY TO MOLEX INCORPORATED AND SHOULD NOT BE USED WITHOUT WRITTEN PERMISSION		
				SHEET NO. 3 OF 3		