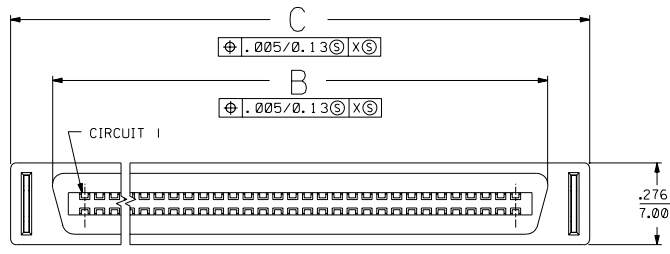


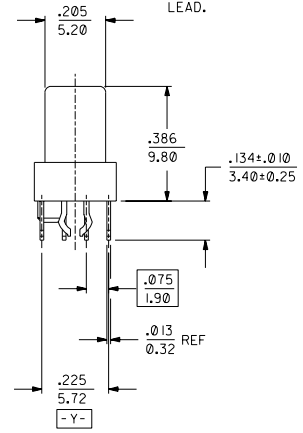
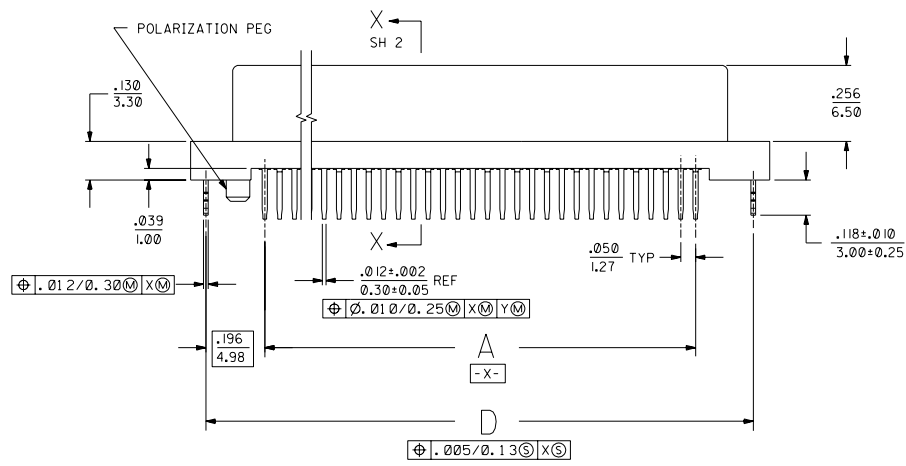
13 12 11 10 9 8 7 6 71660 4 3 2 1



**NOTES:**

- 1) MATERIALS:  
HOUSING- LCP, GLASS FILLED, 94V-0, BLACK.  
TERMINALS- COPPER ALLOY  
METAL PEGS- COPPER ALLOY
  - 2) PLATING:  
.000030 INCHES MINIMUM GOLD IN SELECTIVE CONTACT AREA  
OVER .000050 INCHES MINIMUM NICKEL IN CONTACT AREA.  
.000100 INCHES MINIMUM TIN IN SOLDER TAIL AREA.
  - 3) ASSEMBLY MATES WITH MOLEX P/N SDA-71661-\*\*\*\*.  
CONFORMS TO PRODUCT SPECIFICATION PS-71660.
- ⚠️ RECOMMENDED P.C. BOARD THICKNESS IS .062 (1.6).
- ⚠️ CONNECTOR WILL ACCEPT MATING TO A P.C. BOARD WITH A THICKNESS OF .062±.003.

NOTE FOR LEAD FREE CONVERSION:  
THE PRIMARY SHIPPING CARTON WILL BE LABELED \*COMPLIANT TO ROHS DIRECTIVE 2002/95/EC AND ELV ANNEX II OF DIRECTIVE 2000/53/EC\*. CARTONS WITHOUT THIS LABEL MAY CONTAIN PRODUCT WITH LEAD.

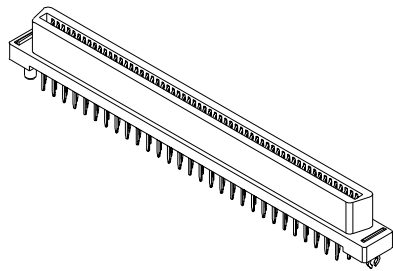


D	LEAD FREE CONV ECN UCP2004-2056 RKADAMS 04/04/23
C	REVISED ECN UBT 2000-U231 ACHAMMER 08/06/07
B	REVISED PER ECN U49506 4-10-94 RAN
A	INITIAL RELEASE PER ECN U31655 11-5-93 RAN

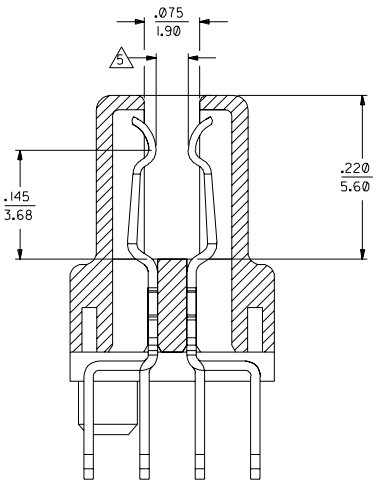
DIMENSIONS SHOWN (METRIC) INCH		= 0		REVISIONS	
SALES OTHERWISE SPECIFIED TOLERANCES ANGULAR ± 1/2°		= 0		MFG. SH. REV. LTR.	
INCH METRIC		= 0		REVISED	
3 PLACE ± .0005	---	= 0		DATE	
2 PLACE ± .01 ± 0.13	---	= 0		U.S.A.	
1 PLACE --- ± 0.25	---	= 0		1 OF 2 11 / 5 / 93	
DRAFT WHERE APPLICABLE MUST REMAIN WITHIN DIMENSIONS		= 0		MOLEX INCORPORATED SHEET NO. 69532	
DRG. NO. SDA-71660-95		= 0		PART NO. 69532	
DRG. BY RAN		= 0		FILE NAME 57166095	
DRG. BY CAB		= 0		NO DRAWING CONTAINS INFORMATION THAT IS PROHIBITED BY MOLEX INC. AND SHOULD NOT BE USED WITHOUT WRITTEN PERMISSION.	

13 12 11 10 9 8 7 6 5 4 3 2 1

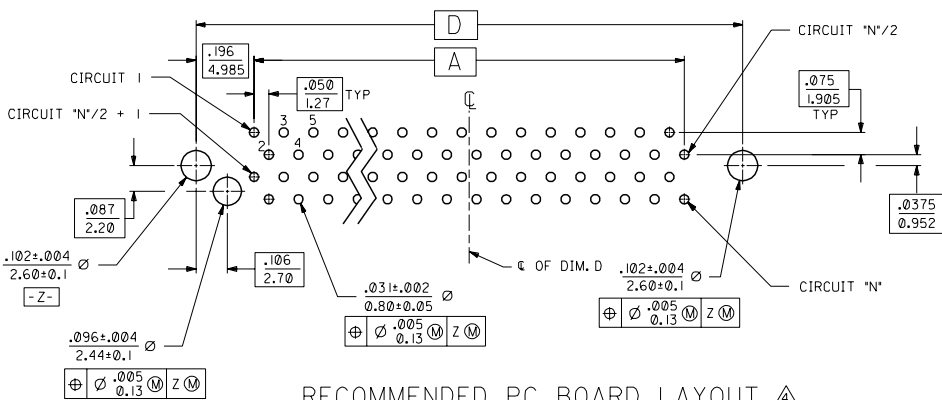
13 12 11 10 9 8 7 6 71660 4 3 2 1



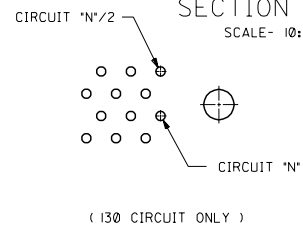
120 CIRCUIT ASSEMBLY SHOWN  
SCALE 2:1



SECTION X-X  
SCALE- 10:1



RECOMMENDED PC BOARD LAYOUT  $\Delta$   
COMPONENT SIDE  
(120 CIRCUIT ONLY)



(130 CIRCUIT ONLY)

C	SEE SHEET 1
---	-------------

3.592 (91.25)	3.699 (93.95)	3.418 (86.82)	3.200 (81.28)	130	71660-9530
3.342 (84.90)	3.449 (87.60)	3.168 (80.47)	2.950 (74.93)	120	71660-9520
D	C	B	A	CKT (*N*)	ITEM NUMBER

DIMENSIONS SHOWN IN METRIC INCH		MFG. SH. REV. LTR. REVISIONS	
UNLESS OTHERWISE SPECIFIED TOLERANCES ANGULAR 1/2°		REVISE ONLY ON CAD SYSTEM	
± PLACE	INCH	± PLACE	METRIC
± PLACE	± .005	± PLACE	± .13
± PLACE	± .01	± PLACE	± 0.25
DRAFT WHERE APPLICABLE MUST REMAIN WITHIN DIMENSIONS			
DRWG. BY: RAN	CHK'D. BY: RAN	TITLE: SALES ASSEMBLY EBBI 50D VERTICAL RCPT W/O CIR BOARD LOCK	
APP'D. BY: CAB	SCALE: 4:1	FILE NAME: 571660953	DATE: 11/5/93
SEE TABLE		MOLEX INCORPORATED	
PART NO. SDA-71660-95**		SHEET NO. 2	

13 12 11 10 9 8 7 6 5 4 3 2 1