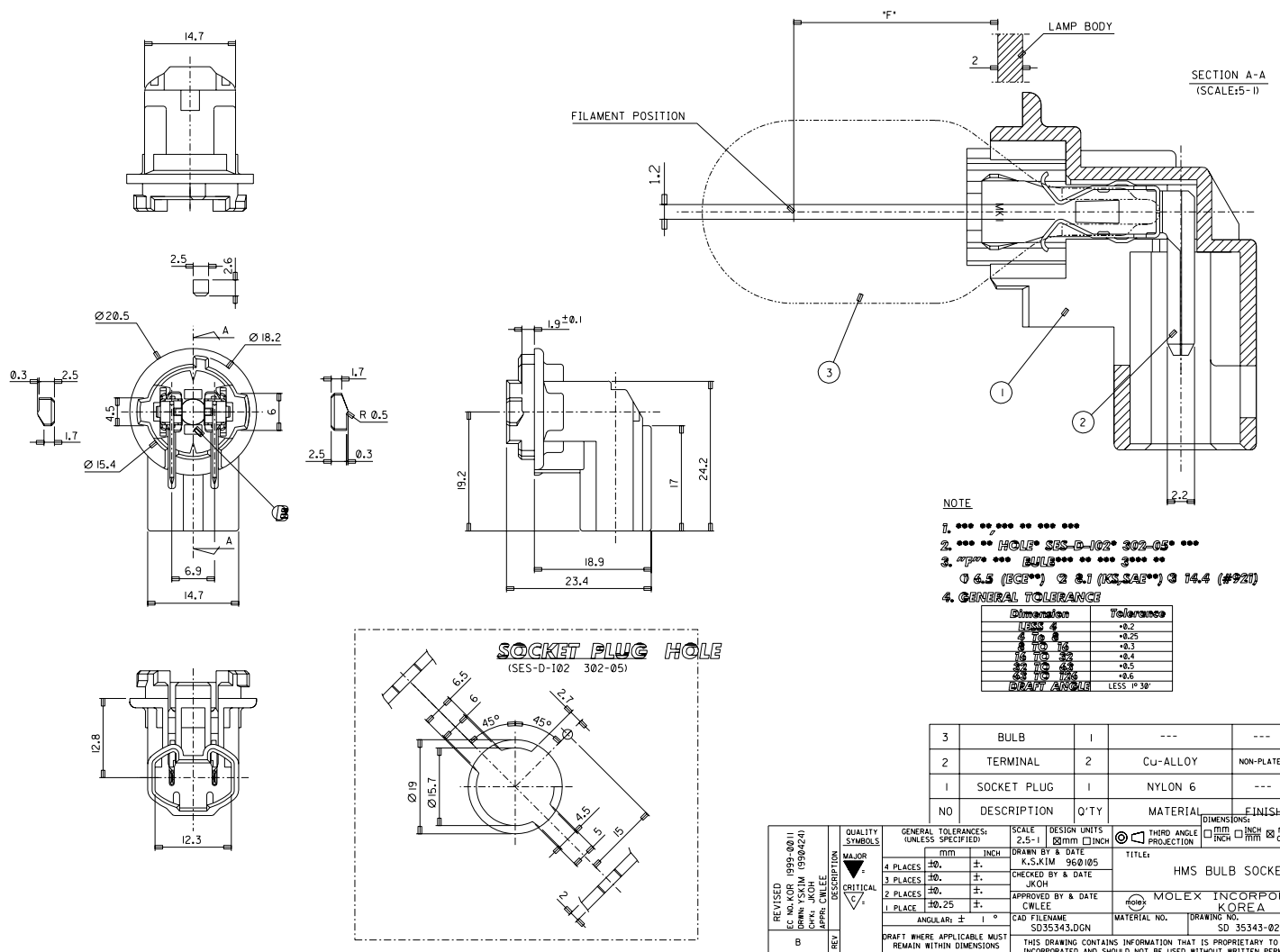


Dwg. No. PROJECT NO. SIMILAR ITEM DO NOT SCALE DRAWING DIMENSION IN METRIC



NO	DESCRIPTION	Q'TY	MATERIAL	FINISH	REMARKS
3	BULB	1	---	---	I2V 3.8W 18W
2	TERMINAL	2	CU-ALLOY	NON-PLATED	---
1	SOCKET PLUG	1	NYLON 6	---	GRAY

REVISED	IC: MOA/KOR 1995-0811	SCALE	DESIGN UNITS	TITLE	HMS BULB SOCKET
B	DRN: YS/KIM (1990-02-21)	2.5-1	mm INCH	K.S.KIM 960105	
APPR: JKOH	CHK: JKOH	GENERAL TOLERANCES: UNLESS SPECIFIED	CHECKED BY & DATE	APPROVED BY & DATE	MOLEX INCORPORATED KOREA
APPR: CWLEE	CHK: CWLEE	mm INCH	JKOH	CWLEE	
CRITICAL	QUALITY SYMBOLS	4 PLACES ±0.1	3 PLACES ±0.1	2 PLACES ±0.1	1 PLACE ±0.25
ANGULAR: ± 1°	DRAFT WHERE APPLICABLE MUST REMAIN WITHIN DIMENSIONS	CAD FILENAME	SD35343.DGN	MATERIAL NO.	DRAWING NO.
THIS DRAWING CONTAINS INFORMATION THAT IS PROPRIETARY TO MOLEX INCORPORATED AND SHOULD NOT BE USED WITHOUT WRITTEN PERMISSION.		SHEET NO. 1 OF 1		SIZE C	