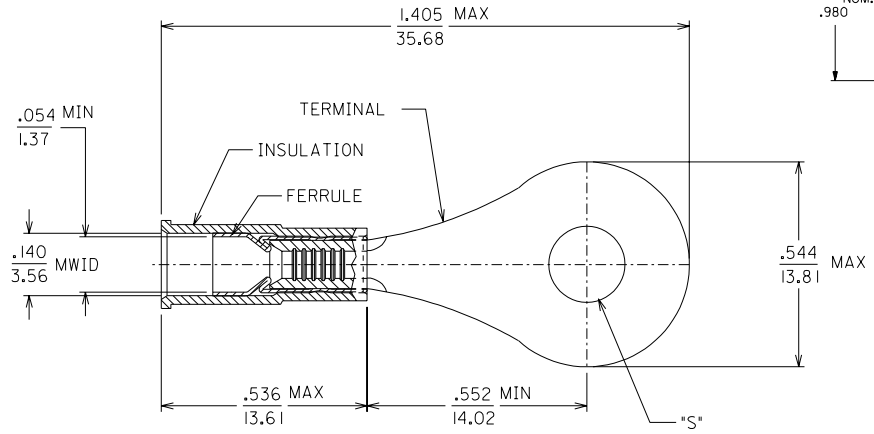
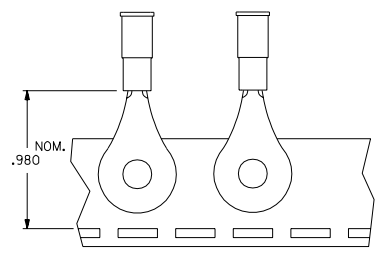


MATERIAL NUMBER	ALTERNATE NUMBER	*S*	WIRE RANGE	COLOR	PACKAGING
I90570019	A-526-10	.198/5.02	22-18 AWG	RED	LOOSE PIECE
I90570020	A-526-14	.265/6.73	22-18 AWG	RED	
I90570024	A-526-56	.328/8.33	22-18 AWG	RED	
I90570022	A-526-38	.390/9.90	22-18 AWG	RED	
I90570021	A-526-14T	.265/6.73	22-18 AWG	RED	TAPE
I90570023	A-526-38T	.390/9.90	22-18 AWG	RED	



- MATERIAL: TERMINAL: COPPER  
.031/.787 THICK.  
FUNNEL FERRULE: BRASS  
PLATING: ELECTRO TIN  
INSULATION: NYLON 6/6  
COLOR: SEE CHART
- MWID = MAXIMUM WIRE INSULATION DIAMETER
- ALL DIMENSIONS = INCHES / MM

CUSTOMER DRAWING

A	NEW CUST. DWG. ETC2001-0288 01/03/23 EDB
LTR.	REVISIONS

DIMENSIONS SHOWN (METRIC) INCH UNLESS OTHERWISE SPECIFIED TOLERANCES: ANGULAR ± 1/2°		REVISE ONLY ON CAD SYSTEM	
3 PLACE ± .005 ± ---	INCH	TITLE RING TONGUE TERMINAL AVIKRIMP 500 SERIES	
2 PLACE ± .01 ± 0.13	METRIC	SHEET NO. DATE 1 OF 1 01/03/23	
1 PLACE ± --- ± 0.25		PART NO. DRAWG. NO. SD-19057-004	
DRAFT WHERE APPLICABLE MUST REMAIN WITHIN DIMENSIONS		ETC INC. PINELLAS PARK, FLA. 33701 U.S.A.	
DRWG. BY: EDB	CHK'D. BY: HEB	FILE NAME: SD19057004	THIS DRAWING CONTAINS INFORMATION THAT IS PROPRIETARY TO MOLEX-ETC INC. AND SHOULD NOT BE USED WITHOUT WRITTEN PERMISSION.
APP'D. BY: RWD	SCALE: NO:NE	DDN	ET B