

Discontinuation Notice of General purpose relay MK-I/-S series

Product Discontinuation

Recommended Replacement



General-purpose relays
MK-I/-S models



General-purpose relays
MK-S series (New models)

Discontinuation date : The end of JUNE, 2009

Caution on recommended replacement

Safety standard approvals of new MKS series are UL, CSA, and TUV. (SEV, DEMKO, NEMKO, SEMKO and VDE are not approved.)

Specifications are not fully compatible.

Difference from discontinued product

Model	Body Color	Dimensions	Wire connection	Mounting Dimentions	Characteristics	Operation ratings	Operation methods
MK2P-I series	*	**	**	*	*	*	**
MK3P-I series	*	**	**	*	*	*	**
MK2P-S series	*	**	**	*	*	*	**
MK3P-S series	*	**	**	*	*	*	**

** : Fully compatible

* : The change is a little / Almost compatible



-- : Not compatible

- : No corresponding specification

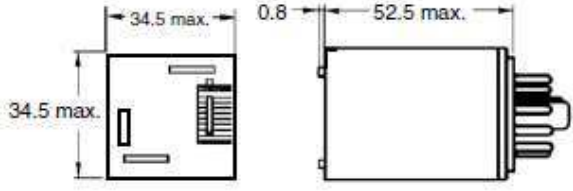
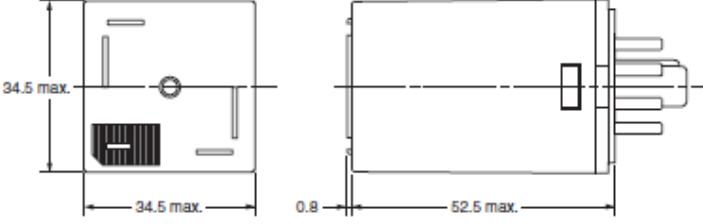
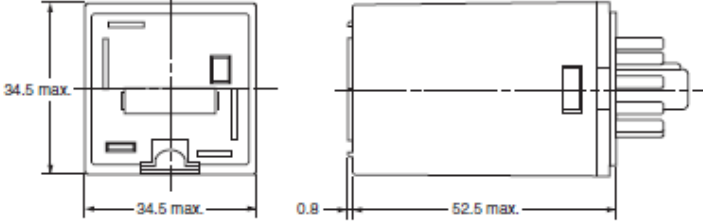
Product Discontinuation and recommended replacement

Please refer to the attached Excel File.
 Note Country of Origin change (MK = Indonesia; MKS = China).

Body color

Product discontinuation MK-I/-S	Recommended replacement MK-S(New model)
	
Socket PF-E is the same	Socket PF-E is the same

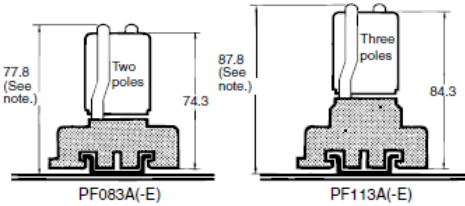
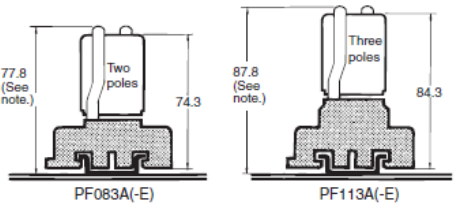
Dimensions

Product discontinuation MK-I/-S	Recommended replacement MK-S(New model)
	<p>Models without Test Button</p>  <p>Models with Locking Test Button</p> 

Wire Connection

New MK-S models are pin-compatible with MK-I/S series.

Mounting dimensions

Product discontinuation MK-I/S	Recommended replacement MK-S(New model)
<p>Surface-mounting Sockets</p>  <p>Note: PF083A(-E) and PF113A(-E) allow either track or screw mounting.</p>	<p>Surface-mounting Sockets</p>  <p>Note: PF083A(-E) and PF113A(-E) allow either track or screw mounting.</p>

Characteristics

Product discontinuation MK-I/S	Recommended replacement MK-S(New model)
<p>1. Coil ratings</p> <ul style="list-style-type: none"> -Must release voltage for AC coils 30% min. of rated voltage (50Hz, 60Hz) -Power consumption for DC coils Approx. 1.5W <p>2. Contact ratings</p> <ul style="list-style-type: none"> -Contact material Ag -Rated load(resistive NO: 28VDC 10A) -Rated load(resistive NC: 250VAC 10A) -Rated load(resistive NC: 28VDC 10A) UL Res Load Rating 10A 250VAC/28VDC <p>3. Characteristics</p> <ul style="list-style-type: none"> -Contact resistance 50m ohm max. -Endurance (Mechanical) 10,000,000 operations -Weight Approx. 85g -Ambient temperature (operating) -10C to 40C 	<p>1. Coil ratings</p> <ul style="list-style-type: none"> -Must release voltage for AC coils 25% min. of rated voltage (50Hz) 30% min. of rated voltage (60Hz) -Power consumption for DC coils Approx 1.4W <p>2. Contact ratings</p> <ul style="list-style-type: none"> -Contact material AgSnIn -Rated load(resistive NO: 30VDC 10A) -Rated load(resistive NC: 250VAC 5A) -Rated load(resistive NC: 30VDC 5A) UL Res Load Rating 10A 250VAC/30VDC <p>3. Characteristics</p> <ul style="list-style-type: none"> -Contact resistance 100m ohm max. -Endurance (Mechanical) 5,000,000 operations -Weight Approx. 90g -Ambient temperature (operating) -40C to 60C (LED Models -25C to 60C)

Type	Contact form	Internal connection	Coil ratings	New MK-S		Current MK-S	
				With mechanical indicator	With mechanical indicator and <i>lockable testbutton</i>	With mechanical indicator	With mechanical indicator and pushbutton
Standard	DPDT	Standard	AC DC	MKS2P	MKS2PI	MK2P-I(-VD)	MK2P-S(-VD)
		Non-standard		MKS2P-2	MKS2PI-2	MK2P2-I(-VD)	MK2P2-S(-VD)
	3PDT	Non-standard		MKS3P	MKS3PI	MK3P-I(-VD)	MK3P-S(-VD)
		Non-standard		MKS3P-2	MKS3PI-2	MK3P2-I(-VD)	MK3P2-S(-VD)
		Standard		MKS3P-5	MKS3PI-5	MK3P5-I(-VD)	MK3P5-S(-VD)
Models with LED Indicator	DPDT	Standard	AC DC	MKS2PN(1)	MKS2PIN(1)	MK2PN(1)-I(-VD)	MK2PN(1)-S(-VD)
		Non-standard		MKS2PN(1)-2	MKS2PIN(1)-2	MK2PN(1)-2-I(-VD)	MK2PN(1)-2-S(-VD)
	3PDT	Non-standard		MKS3PN(1)	MKS3PIN(1)	MK3PN(1)-I(-VD)	MK3PN(1)-S(-VD)
		Non-Standard		MKS3PN(1)-2	MKS3PIN(1)-2	MK3PN(1)-2-I(-VD)	MK3PN(1)-2-S(-VD)
		Standard		MKS3PN(1)-5	MKS3PIN(1)-5	MK3PN(1)-5-I(-VD)	MK3PN(1)-5-S(-VD)
Models with Diode	DPDT	Standard	DC	MKS2P(1)-D	MKS2PI(1)-D	MK2PD(1)-I(-VD)	MK2PD(1)-S(-VD)
		Non-standard		MKS2P(1)-D-2	MKS2PI(1)-D-2	MK2PD(1)-2-I(-VD)	MK2PD(1)-2-S(-VD)
	3PDT	Non-standard		MKS3P(1)-D	MKS3PI(1)-D	MK3PD(1)-I(-VD)	MK3PD(1)-S(-VD)
		Non-Standard		MKS3P(1)-D-2	MKS3PI(1)-D-2	MK3PD(1)-2-I(-VD)	MK3PD(1)-2-S(-VD)
		Standard		MKS3P(1)-D-5	MKS3PI(1)-D-5	MK3PD(1)-5-I(-VD)	MK3PD(1)-5-S(-VD)
Models with Varistor	DPDT	Standard	AC	MKS2P-V	MKS2PI-V	MK2PV-I	MK2PV-S
		Non-standard		MKS2P-V-2	MKS2PI-V-2	MK2PV-2-I	MK2PV-2-S
	3PDT	Non-standard		MKS3P-V	MKS3PI-V	MK3PV-I	MK3PV-S
		Non-Standard		MKS3P-V-2	MKS3PI-V-2	MK3PV-2-I	MK3PV-2-S
		Standard		MKS3P-V-5	MKS3PI-V-5	MK3PV-5-I	MK3PV-5-S
Models with LED Indicator and Diode	DPDT	Standard	DC	MKS2PN-D	MKS2PIN-D	MK2PND-I	MK2PND-S
		Non-standard		MKS2PN-D-2	MKS2PIN-D-2	MK2PND-2-I	MK2PND-2-S
	3PDT	Non-standard		MKS3PN-D	MKS3PIN-D	MK3PND-I	MK3PND-S
		Non-Standard		MKS3PN-D-2	MKS3PIN-D-2	MK3PND-2-I	MK3PND-2-S
		Standard		MKS3PN-D-5	MKS3PIN-D-5	MK3PND-5-I	MK3PND-5-S
Models with LED Indicator and Varistor	DPDT	Standard	AC	MKS2PN-V	MKS2PIN-V	MK2PNV-I	MK2PNV-S
		Non-standard		MKS2PN-V-2	MKS2PIN-V-2	MK2PNV-2-I	MK2PNV-2-S
	3PDT	Non-standard		MKS3PN-V	MKS3PIN-V	MK3PNV-I	MK3PNV-S
		Non-Standard		MKS3PN-V-2	MKS3PIN-V-2	MK3PNV-2-I	MK3PNV-2-S
		Standard		MKS3PN-V-5	MKS3PIN-V-5	MK3PNV-5-I	MK3PNV-5-S