

### FEATURES

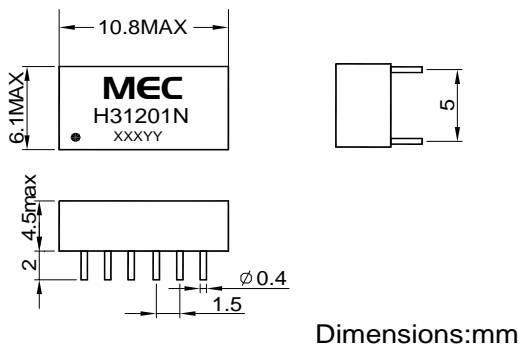
- IEEE 802.3 Ethernet Compatible
- Primary Inductance 350μH Min with 8mA DC Bias
- Isolation Voltage : 1500 Vrms



Part Number	Turns Ratio Pri:Sec(± 3%)		Insertion Loss (dB MAX)	Return Loss (dB TYP)			Crosstalk (dB TYP)			Differential to Common Mode Rejection (dB TYP)			Common to common Rejection Ratio (dB TYP)
	TX	RX		0.1~100 MHz	30 MHz	60 MHz	80 MHz	30 MHz	60 MHz	100 MHz	30 MHz	60 MHz	
H31201N	1:1	1:1	-1.00	-16	-14	-10	-45	-40	-38	-42	-38	-30	-40
H31202N	1:1	1:1	-1.20	-15	-13	-10	-40	-38	-35	-45	-40	-35	-30
H31204N	1:1	1:1	-1.20	-15	-13	-10	-40	-35	-30	-45	-38	-35	-30
H31206N	1:1	1:1	-1.10	-18	-13	-11	-45	-40	-35	-40	-35	-30	-35
H31208N	1:1	1:1	-1.20	-15	-13	-11	-45	-40	-35	-42	-38	-35	-30
H31209N	1:1	1:1	-1.10	-18	-13	-11	-45	-40	-35	-40	-35	-30	-35
H31212N	1:1	1:1	-1.15	-16	-13	-10	-45	-40	-38	-42	-40	-35	-30

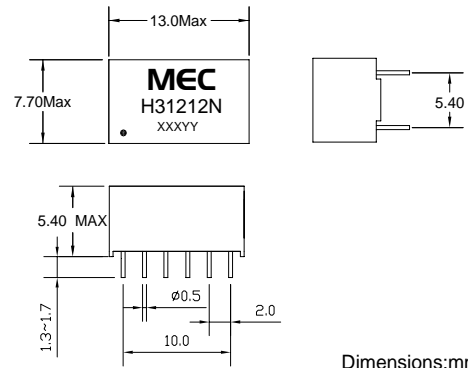
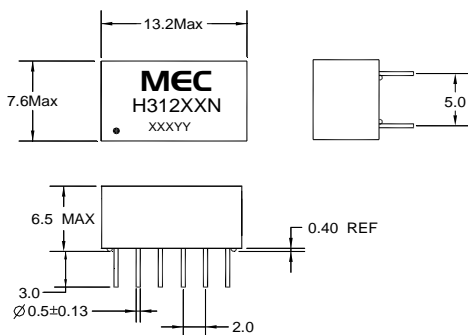
- Electrical Specifications @25°C-Operating Temperature 0°C to 70°C.

### Mechanicals



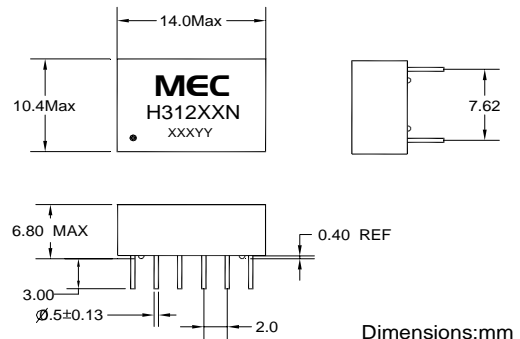
Unless otherwise specified , all tolerances ± 0.25

#### H31204N 、 H31206N 、 H31209N



Unless otherwise specified , all tolerances ± 0.25

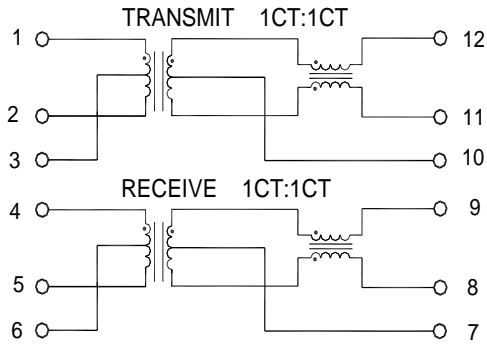
#### H31202N 、 H31208N



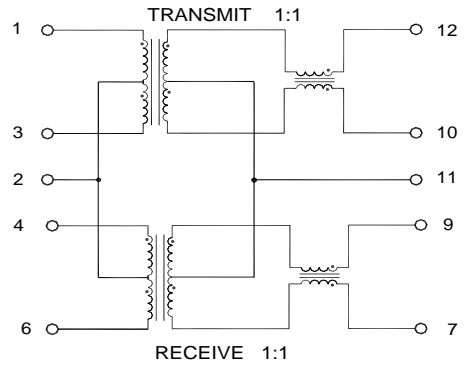
Unless otherwise specified , all tolerances ± 0.25

### Schematics

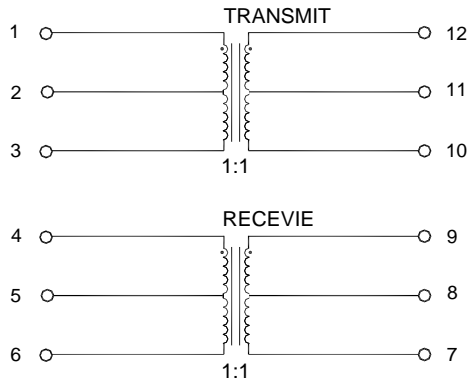
**H31201N**



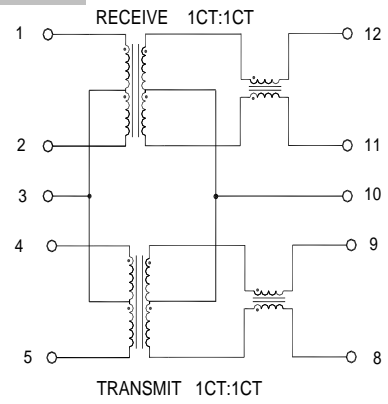
**H31202N**



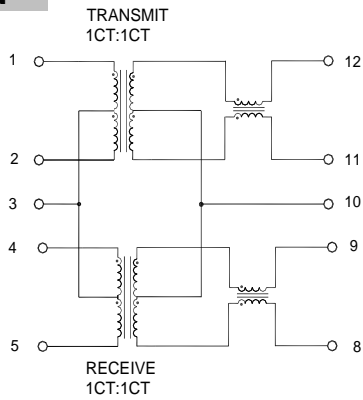
**H31204N**



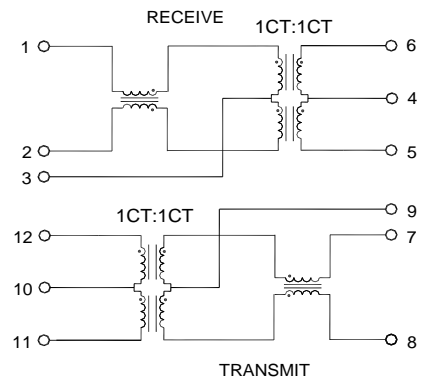
**H31206N**



**H31208N**



**H31209N**



**H31212N**

