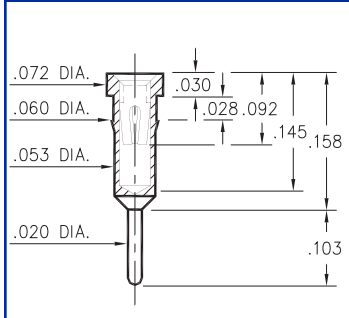
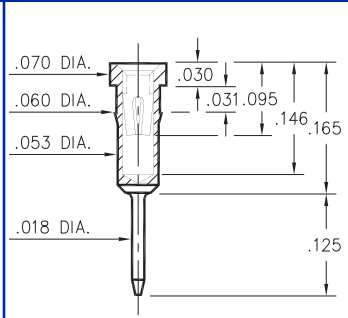


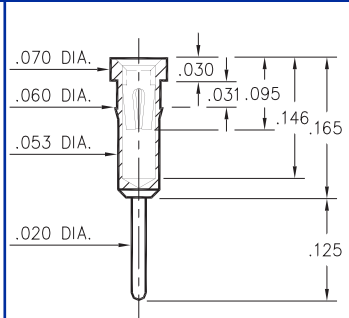
**4011                      1801                      1001                      0156**



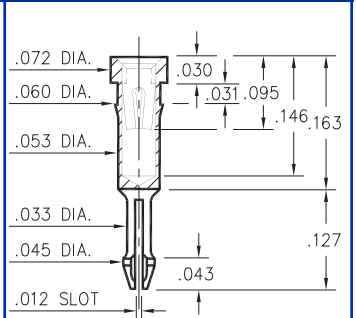
**4011-0-15-XX-30-XX-04-0**  
Press-fit in .057 mounting hole



**1801-0-15-XX-30-XX-04-0**  
Press-fit in .057 mounting hole  
Shell is Ph. Br. Alloy 544 (B2)

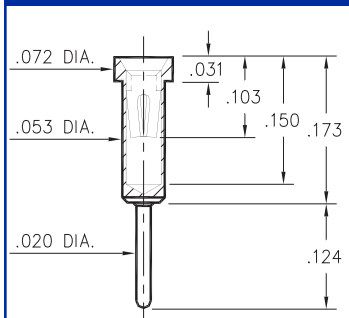


**1001-0-15-XX-3X-XX-04-0**  
Press-fit in .057 mounting hole

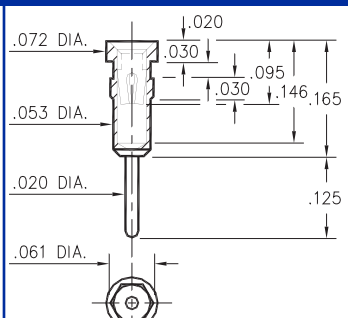


**0156-0-18-XX-30-XX-04-0**  
Self-retention socket pin .038-.043 hole prior to soldering

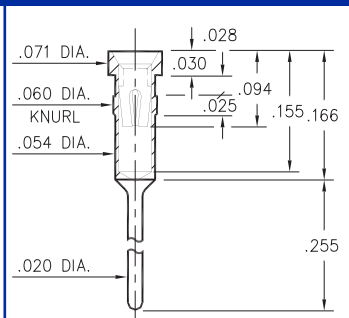
**0255                      1109                      3013                      0134**



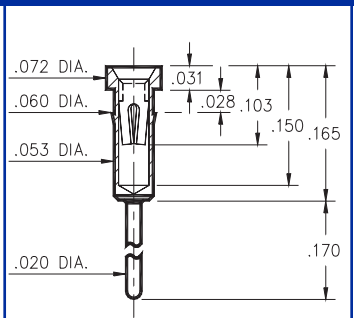
**0255-0-15-XX-30-XX-04-0**  
Solder mount in .022 min. mounting hole



**1109-0-15-XX-30-XX-04-0**  
Hex press-fit in .057 plated thru hole

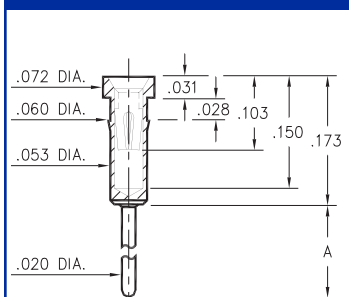


**3013-0-15-XX-32-XX-04-0**  
Press-fit in .057 mounting hole



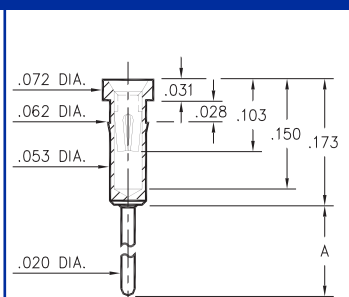
**0134-0-15-XX-3X-XX-04-0**  
Press-fit in .057 mounting hole

**0132/0135                      0133/0147**



**013X-0-15-XX-30-XX-04-0**  
Press-fit in .057 mounting hole

Basic Part Number	Length A
0132-0	.273
0135-0	.183



**01XX-0-15-XX-30-XX-04-0**  
Press-fit in .059 mounting hole

Basic Part Number	Length A
0133-0	.382
0147-0	.563

**SPECIFICATIONS**

**SHELL MATERIAL:**  
Brass Alloy 360, 1/2 Hard

**CONTACT MATERIAL:**  
Beryllium Copper Alloy 172, HT

**DIMENSION IN INCHES TOLERANCES ON:**  
LENGTHS: ±.005  
DIAMETERS: ±.002  
ANGLES: ± 2°

**ORDER CODE: XXXX - X - 1X - XX - XX - XX - 04 - 0**

**BASIC PART #** →

**SPECIFY SHELL FINISH:**

- 01 200 " TIN/LEAD OVER NICKEL
- ◇ 80 200 " TIN OVER NICKEL (RoHS)
- ◇ 15 10 " GOLD OVER NICKEL (RoHS)

**SPECIFY CONTACT FINISH:**

- 02 100 " TIN/LEAD OVER NICKEL
- ◇ 84 100 " TIN OVER NICKEL (RoHS)
- ◇ 27 30 " GOLD OVER NICKEL (RoHS)



**SELECT CONTACT**  
#30 or #32 CONTACT (DATA ON PAGE 219)