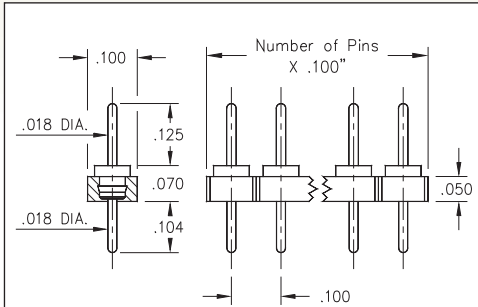
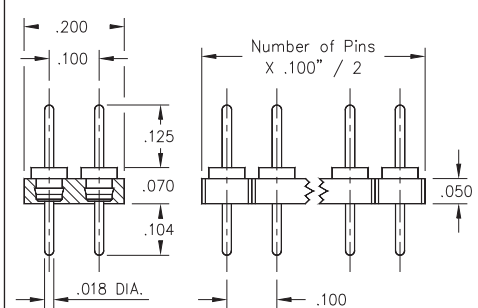


# INTERCONNECTS

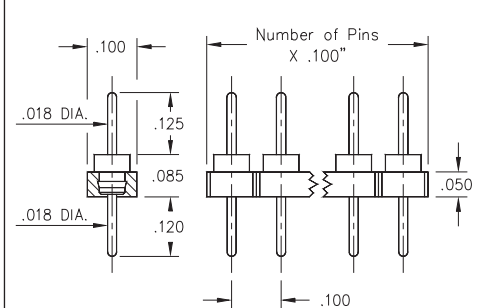
## SERIES 335, 364, 435, 464 • .100" GRID (.018" DIA. PINS), LOW PROFILE • SINGLE AND DOUBLE ROW STRIPS



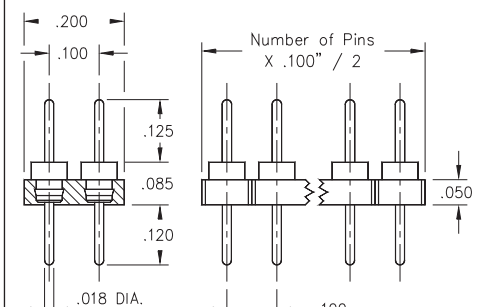
**FIG. 1**



**FIG. 2**



**FIG. 3**









**FIG. 4**

- Series 335 and 435 single and double row PCB interconnects offer a .070" profile, the lowest available
- Series 364 and 464 single and double row PCB interconnects offer .085" profile above board
- Series 335 and 435 use MM #3516 pins. See page 212 for details
- Series 364 and 464 use MM #6458 pins. See page 213 for details
- Insulators are high temperature thermoplastic, suitable for all soldering operations



### ORDERING INFORMATION

<b>FIG. 1</b>	<b>Series 335...160</b> <b>Single Row .070" Profile Pin Header</b>								
	335-XX-1__-00-160000 Specify number of pins      01-32								
<b>FIG. 2</b>	<b>Series 435...160</b> <b>Double Row .070" Profile Pin Header</b>								
	435-XX-2__-00-160000 Specify number of pins      04-72								
<b>FIG. 3</b>	<b>Series 364...580</b> <b>Single Row .085" Profile Pin Header</b>								
	364-10-1__-00-580000 Specify number of pins      01-32								
<b>FIG. 4</b>	<b>Series 464...580</b> <b>Double Row .085" Profile Pin Header</b>								
	464-10-2__-00-580000 Specify number of pins      04-72								
  									
<b>SPECIFY PLATING CODE XX=</b>	<table border="1" style="width: 100%; text-align: center;"> <tbody> <tr> <td>10 ◊</td> <td>90</td> <td>40 ◊</td> <td></td> </tr> <tr> <td>Pin Plating </td> <td>10 μ" Au</td> <td>200 μ" Sn/Pb</td> <td>200 μ" Sn</td> </tr> </tbody> </table>	10 ◊	90	40 ◊		Pin Plating 	10 μ" Au	200 μ" Sn/Pb	200 μ" Sn
10 ◊	90	40 ◊							
Pin Plating 	10 μ" Au	200 μ" Sn/Pb	200 μ" Sn						