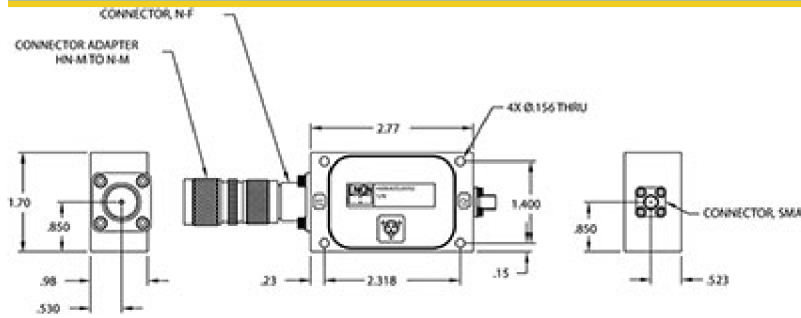


High Power Limiters EL0092 0.15 GHz to 0.45 GHz



Power Input Specifications

RF Frequency	0.15 GHz to 0.45 GHz
Peak Power	1000 Watts (max)
Average Power	25 Watts (max)
Pulse Width	10 uSec

Microwave Specifications

Insertion Loss	0.3 dB
VSWR	1.4:1
Recovery Time	1 uS
Flat Leakage	+26 dBm
Spike Leakage	5 ergs

Mechanical

Environmental Notes

Specifications subject to change without notice

Micronetics, Inc. | Hudson, NH | Tel: 1-603-883-2900 | www.Micronetics.com



