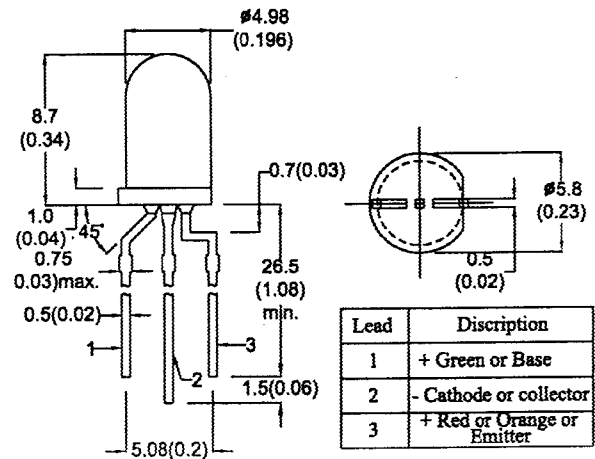


MICRO ELECTRONICS

HIGH EFFICIENCY
RED/GREEN
BI-COLOR LAMP

DESCRIPTION

A high efficiency red and green bi-color lamp made of GaAsP, GaP LED chip offering a changing color characteristics. These two light emitting diodes are mounted in 5mm diameter transparent lens.



- All dimension in mm(inch)
- No Scale
- Tol. : +/-0.3mm

ABSOLUTE MAXIMUM RATINGS

Power Dissipation @ Ta=25°C
Forward Current, DC (IF)
Reverse Voltage
Operating & Storage Temperature Range
Lead Soldering Temperature (1/16" from body)

	High efficiency Red	Green
Power Dissipation	100mW	100mW
Forward Current, DC (IF)	30mA	30mA
Reverse Voltage	5V	5V
Operating & Storage Temperature Range	-55 to +100°C	
Lead Soldering Temperature (1/16" from body)	260°C for 5 sec.	

ELECTRO-OPTICAL CHARACTERISTICS (Ta=25°C)

PARAMETER	SYMBOL	RED	GREEN	UNIT	CONDITIONS
Forward Voltage	MAX VF	3.0	3.0	V	IF=20mA
Reverse Breakdown Voltage	MIN BVR	5	5	V	IR=100μA
Luminous Intensity	MIN IV	50	70	mcd	IF=20mA
	TYP	100	120	mcd	IF=20mA
Peak Wavelength	TYP λp	650	570	nm	IF=20mA
Spectral Line Half Width	TYP Δλ	30	30	nm	IF=20mA

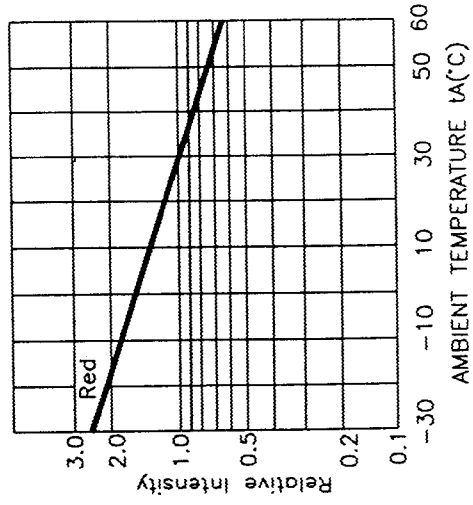
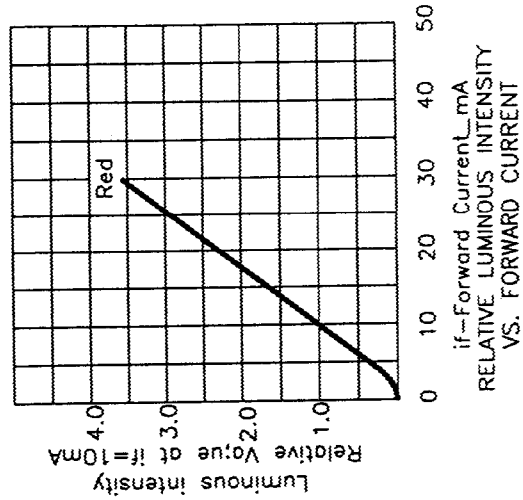
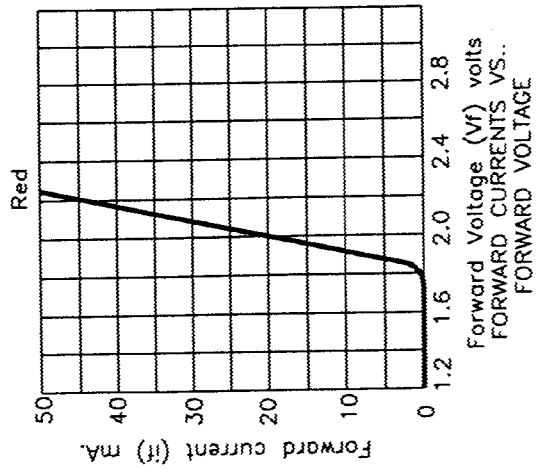
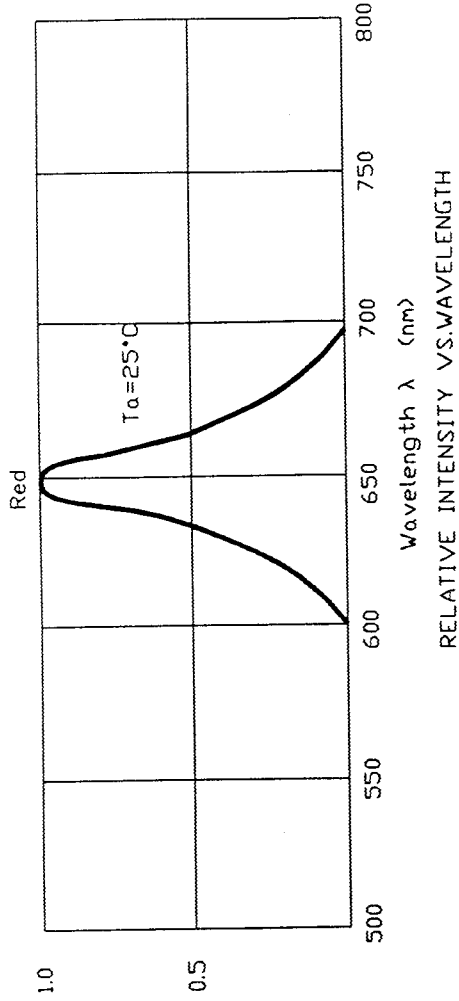
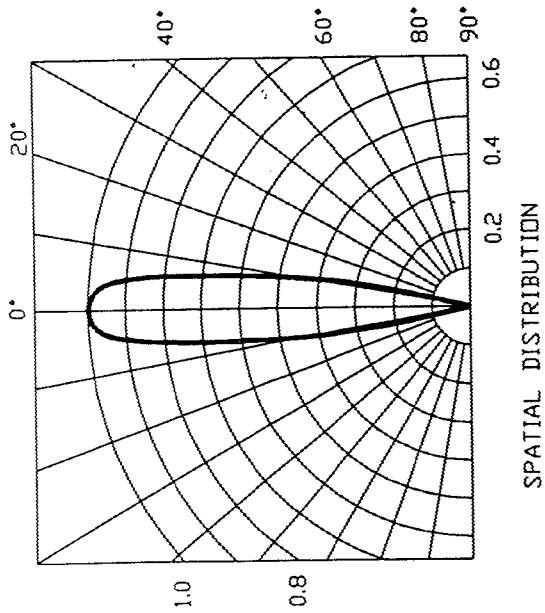


MICRO ELECTRONICS LTD.

38, Hung To Road, Microtron Building, Kwun Tong, Kowloon, Hong Kong.

Kwun Tong P.O. Box 69477 Hong Kong. Fax No. 2341 0321 Telex:43510 Micro Hx. Tel: 2343 0181-5

MSGB51T(RED)



MSGB51T(GREEN)

