



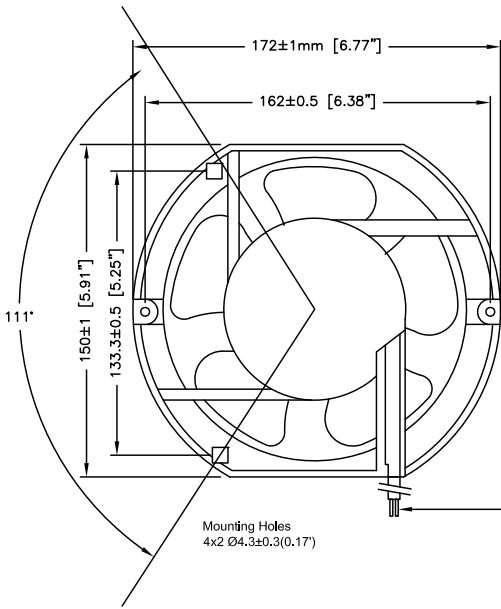
ALL RIGHTS RESERVED. NO PORTION OF THIS PUBLICATION, WHETHER IN WHOLE OR IN PART CAN BE REPRODUCED WITHOUT THE EXPRESS WRITTEN CONSENT OF SPC TECHNOLOGY.

SPC-F005.DWG

REVISIONS

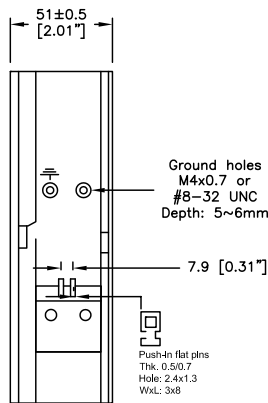
DOC. NO. SPC-F005 * Effective: 7/8/02 * DCP No: 1398

DCP #	REV	DESCRIPTION	DRAWN	DATE	CHECKD	DATE	APPRVD	DATE
2057	A	Released	JN	06/25/09	JWM	06/25/09	JWM	06/25/09



AIRFLOW
←
↑
ROTATION

Lead Wire
AWG20
UL/CSA
300mm/1ft



NOTES:

-Maximum airflow and speed are measured at free air using a dual air test Chamber

-The maximum air pressure is measured with zero air flow at ambient temperature.

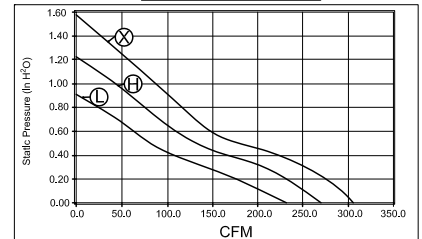
-All reading are typical values at the rated voltage.

-Specifications are subject to change without notice.

SPECIFICATIONS:

- Size: 172mm x 150mm x 51mm
- Operating Temp.: -10°C to 70°C
- Storage Temp.: -40°C to 80°C
- Housing: Aluminum Alloy
- Blades: Plastic, UL-94VO
- Termination: 300mm Leads
- Red: +
- Black: -
- Motor Protection: Impedance & Polarity
- Bearing System: Ball Bearing
- Weight: 735g

Performance



MFG. P/N	Rated Voltage (VDC)	Operating Voltage (VDC)	Rated Current (A)	Rated Frequency (RPM)	Air Flow (CFM)	Air Pressure (Inch H2O)	Noise Level (dBA)	Performance Curve Option
MC33667	24 VDC	12.0~27.6	1.8	4000	272.6	1.24	64	Curve H
MC33668			0.95	3400	231.9	0.92	59	Curve L
MC33670			2.3	4500	306.4	1.57	67	Curve X
MC33674	48 VDC	24.0~55.2	0.75	4000	272.6	1.24	64	Curve H
MC33675			0.5	3400	231.9	0.92	59	Curve L
MC33677			1.2	4500	306.4	1.57	67	Curve X

DISCLAIMER:
ALL STATEMENTS AND TECHNICAL INFORMATION CONTAINED HEREIN ARE BASED UPON INFORMATION AND/OR TESTS WE BELIEVE TO BE ACCURATE AND RELIABLE. SINCE CONDITIONS OF USE ARE BEYOND OUR CONTROL, THE USER SHALL DETERMINE THE SUITABILITY OF THE PRODUCT FOR THE INTENDED USE AND ASSUME ALL RISK AND LIABILITY WHATSOEVER IN CONNECTION THEREWITH.

TOLERANCES:

UNLESS OTHERWISE SPECIFIED, DIMENSIONS ARE FOR REFERENCE PURPOSES ONLY.

DRAWN BY:	DATE:
Jason Nash	06/25/09
CHECKED BY:	DATE:
JWM	06/25/09
APPROVED BY:	DATE:
JWM	06/25/09

DRAWING TITLE:

172mm x 150mm x 51mm DC Fan

SIZE DWG. NO.

A Ta-1135

ELECTRONIC FILE

Ta-1135.DWG

REV

A

SCALE: NTS

U.O.M.: mm [Inches]

SHEET: 1 OF 1