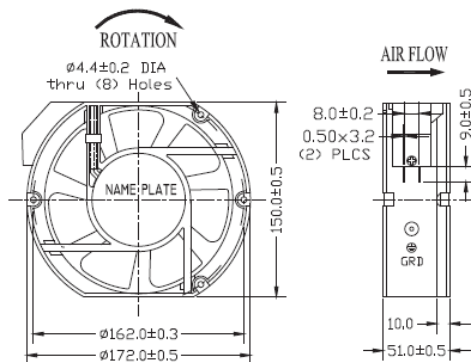




AVT17215051-AC

Mechanical Drawing:



172mm x 150mm x 51mm AC Tube Axial



Standard Specifications

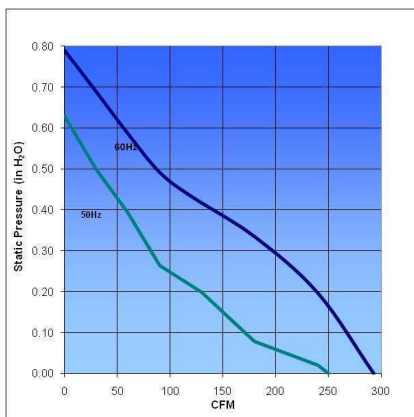
Size:	172mm x 150 X 51mm
Airflow:	210-293 CFM
Operating Temp:	-10 C to 65 C
Housing:	Aluminum Alloy
Blades:	Plastic, UL-94V0
Termination:	0.5mm terminals
Lead wire:	Optional
Motor:	Capacitor run induction
Certifications:	ROHS, UL Pending

- * The maximum airflow and speed are measured at free air using a dual air test chamber.
- * The maximum air pressure is measured with zero air flow at ambient temperature.
- * All readings are typical values at the rated voltage.
- * Specifications are subject to change without notice.

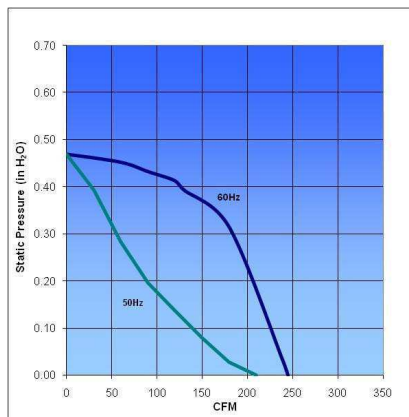
Performance



H Speed



N Speed



172 X 150 X 51 mm

Part Number	Listed Model	Bearing System	Rated Voltage VAC	Frequency Hz	Rated Current A	Power W	Speed RPM	Noise Level dBA	Air Flow CFM	Air pressure inch H ₂ O	Weight g
203779	AVT17215051-3HB2	Ball	220-240	50/60	0.20/0.22	46/50	2850/3300	56/61	250/293	0.63/0.79	970
203780	AVT17215051-3NB2	Ball	220-240	50/60	0.14/0.15	42/43	2500/2800	53/55	210/245	0.47/0.47	970
203781	AVT17215051-1HB2	Ball	100-125	50/60	0.35/0.40	46/50	2850/3300	56/61	250/293	0.63/0.79	970
203782	AVT17215051-1NB2	Ball	100-125	50/60	0.26/0.29	39/40	2500/2800	53/55	210/245	0.47/0.51	970