



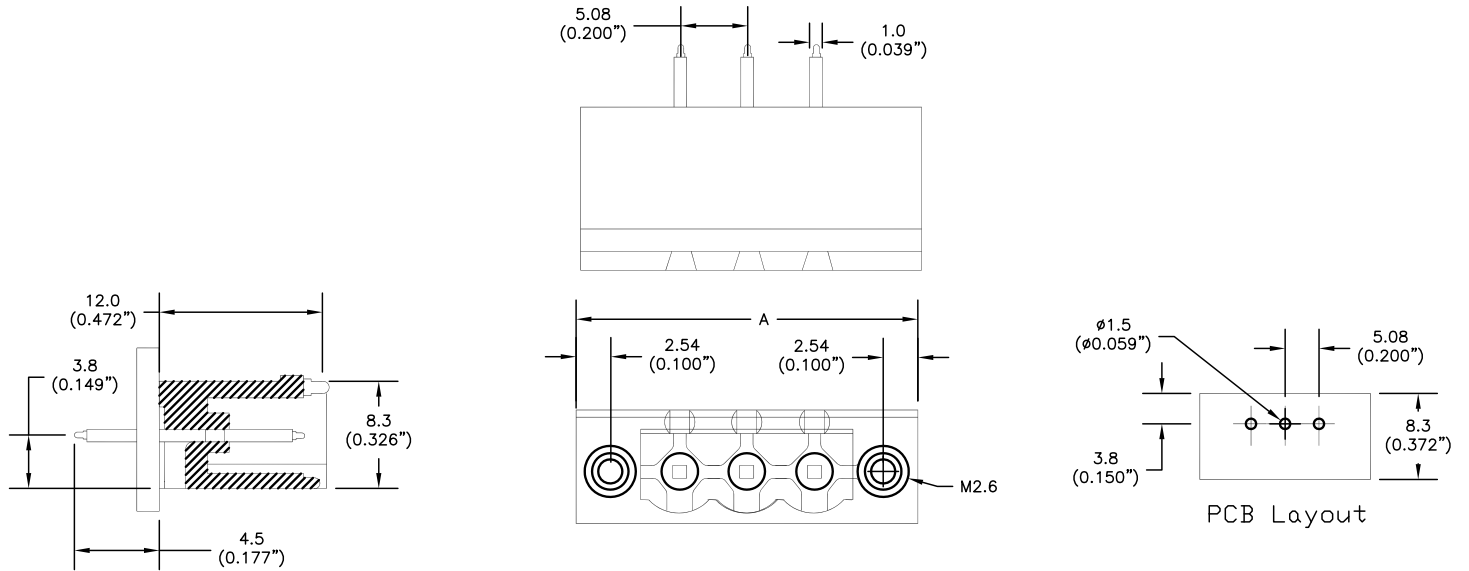
ALL RIGHTS RESERVED. NO PORTION OF THIS PUBLICATION, WHETHER IN WHOLE OR IN PART CAN BE REPRODUCED WITHOUT THE EXPRESS WRITTEN CONSENT OF SPC TECHNOLOGY.

SPC-F005.DWG

REVISIONS

DOC. NO. SPC-F005 * Effective: 7/8/02 * DCP No: 1398

DCP #	REV	DESCRIPTION	DRAWN	DATE	CHECKD	DATE	APPRVD	DATE
2000	A	RELEASED	JN	07/22/09	JN	07/22/09	JN	07/22/09



SPECIFICATIONS	CUL	VDE
Rated Voltage	AC 300V	AC 400V
Rated Current	16A	16A
Housing Material	Polyamide66(UL94V-0)	
Solder Pin	1.0mm, Brass, Tin plated	
Operating Temperature	-40°C to +105°C	
PCB Hole Diameter	ø1.5mm	
E167040		

Mfg. P/N	A (mm)	A (inch)
MC24391	20.3	0.8
MC24392	25.4	1
MC24393	30.5	1.2
MC24394	35.6	1.4
MC24395	40.6	1.6
MC24396	50.8	2
MC24397	61	2.4



DISCLAIMER: ALL STATEMENTS AND TECHNICAL INFORMATION CONTAINED HEREIN ARE BASED UPON INFORMATION AND/OR TESTS WE BELIEVE TO BE ACCURATE AND RELIABLE. SINCE CONDITIONS OF USE ARE BEYOND OUR CONTROL, THE USER SHALL DETERMINE THE SUITABILITY OF THE PRODUCT FOR THE INTENDED USE AND ASSUME ALL RISK AND LIABILITY WHATSOEVER IN CONNECTION THEREWITH.

TOLERANCES: UNLESS OTHERWISE SPECIFIED, DIMENSIONS ARE FOR REFERENCE PURPOSES ONLY.

DRAWN BY:	DATE:
JN	07/22/09
CHECKED BY:	DATE:
JN	07/22/09
APPROVED BY:	DATE:
JN	07/22/09

DRAWING TITLE:			
Header With Flange			
SIZE	DWG. NO.	ELECTRONIC FILE	REV
A	Ta-1154	Ta-1154.dwg	A
SCALE: NTS	U.O.M.: INCHES [mm]	SHEET: 1 OF 1	