



ALL RIGHTS RESERVED. NO PORTION OF THIS PUBLICATION, WHETHER IN WHOLE OR IN PART CAN BE REPRODUCED WITHOUT THE EXPRESS WRITTEN CONSENT OF SPC TECHNOLOGY.

SPC-F005.DWG

REVISIONS

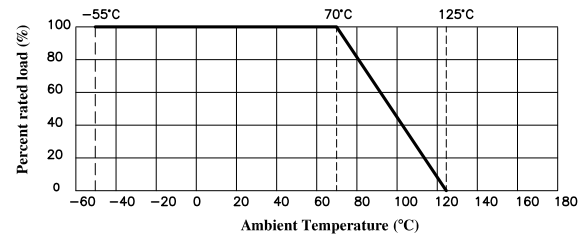
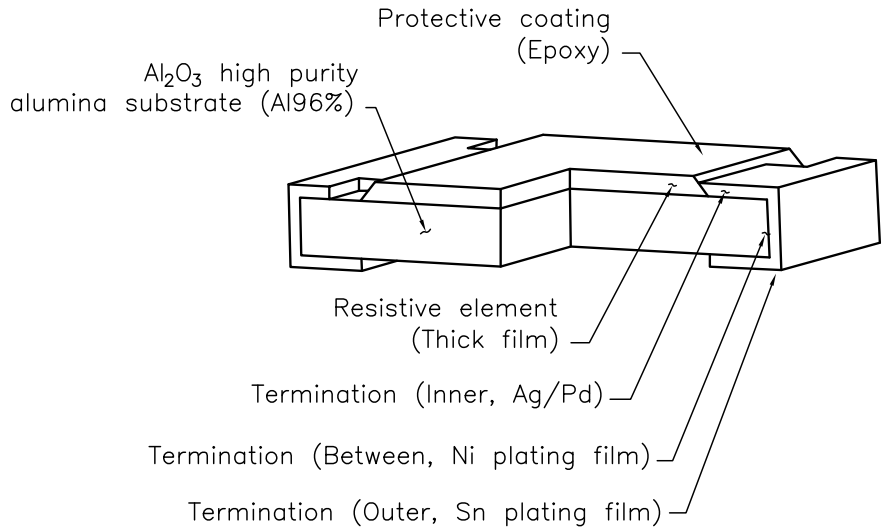
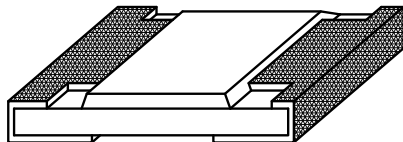
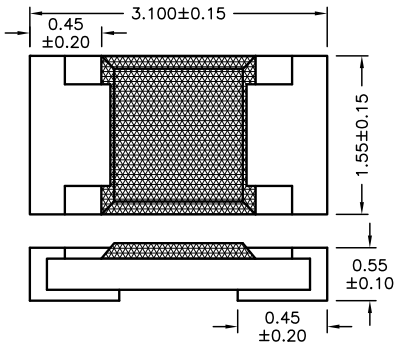
DOC. NO. SPC-F005 * Effective: 7/8/02 * DCP No: 1398

| DCP # | REV | DESCRIPTION | DRAWN | DATE | CHECKD | DATE | APPRVD | DATE |
|-------|-----|-------------|-------|--------|--------|--------|--------|--------|
| 2089 | A | RELEASED | JYC | 3/3/10 | JYC | 3/3/10 | JYC | 3/3/10 |



Specifications:

- Power Rating: 1/4 Watt
- Tolerance: $\pm 1\%$
- Max. Working Voltage: 200 V
- Max. Overload Voltage: 400 V
- Temperature Range: $-55^{\circ}\text{C} \sim +155^{\circ}\text{C}$
- Ambient Temperature: 70°C
- Resistance Range: (See parts table)



DISCLAIMER: ALL STATEMENTS AND TECHNICAL INFORMATION CONTAINED HEREIN ARE BASED UPON INFORMATION AND/OR TESTS WE BELIEVE TO BE ACCURATE AND RELIABLE. SINCE CONDITIONS OF USE ARE BEYOND OUR CONTROL, THE USER SHALL DETERMINE THE SUITABILITY OF THE PRODUCT FOR THE INTENDED USE AND ASSUME ALL RISK AND LIABILITY WHATSOEVER IN CONNECTION THEREWITH.

TOLERANCES: UNLESS OTHERWISE SPECIFIED, DIMENSIONS ARE FOR REFERENCE PURPOSES ONLY.

| | |
|--------------|----------|
| DRAWN BY: | DATE: |
| Jerrold Chen | 3/3/2010 |
| CHECKED BY: | DATE: |
| Jerrold Chen | 3/3/2010 |
| APPROVED BY: | DATE: |
| Jerrold Chen | 3/3/2010 |

| | | | |
|---|-------------|-----------------|-----|
| DRAWING TITLE: | | | |
| RoHS Compliant Thick Film Chip Resistors, EIA Size 1206, 1/4 Watt | | | |
| SIZE | DWG. NO. | ELECTRONIC FILE | REV |
| A | TA-1220 | TA-1220.DWG | A |
| SCALE: | U.O.M.: | SHEET: | |
| NTS | Millimeters | 1 OF 5 | |

Performance specification

| | |
|--|---|
| Temperature coefficient | $1\Omega \sim 10\Omega \leq \pm 400\text{PPM}/^\circ\text{C}$ $11\Omega \sim 100\Omega \leq \pm 200\text{PPM}/^\circ\text{C}$ $> 100\Omega \leq \pm 100\text{PPM}/^\circ\text{C}$ (0201 $> 100\Omega \leq \pm 200\text{PPM}/^\circ\text{C}$) |
| Short-time overload | $\pm 5\%: \pm(2.0\% + 0.1\Omega)$ Max. $\pm 1\%: \pm(1.0\% + 0.1\Omega)$ Max. |
| Insulation resistance | Min. 1,000 Mega Ohm |
| Dielectric withstanding voltage | No evidence of flashover, mechanical damage, arcing or insulation breakdown |
| Terminal bending | $\pm(1.0\% + 0.05\Omega)$ Max. |
| Soldering heat | Resistance change rate is $\pm(1.0\% + 0.05\Omega)$ Max. |
| Solderability | Min. 95% coverage |
| Temperature cycling | $\pm 5\%: \pm(1.0\% + 0.05\Omega)$ Max. $\pm 1\%: \pm(0.5\% + 0.05\Omega)$ Max. |
| Humidity (Steady State) | $\pm 5\%: \pm(3.0\% + 0.1\Omega)$ Max. $\pm 1\%: \pm(0.5\% + 0.1\Omega)$ Max. |
| Load life in humidity | $\pm 5\%: \pm(3.0\% + 0.1\Omega)$ Max. $\pm 1\%: \pm(1.0\% + 0.1\Omega)$ Max. |
| Load life | $\pm 5\%: \pm(3.0\% + 0.1\Omega)$ Max. $\pm 1\%: \pm(1.0\% + 0.1\Omega)$ Max. |

ALL RIGHTS RESERVED. NO PORTION OF THIS PUBLICATION, WHETHER IN WHOLE OR IN PART CAN BE REPRODUCED WITHOUT THE EXPRESS WRITTEN CONSENT OF SPC TECHNOLOGY.

SIZE DWG. NO.

A

TA-1220

ELECTRONIC FILE

TA-1220.DWG

REV

A

SPC-F005.DWG

DOC. NO. SPC-F005 • Effective: 7/8/02 • DCP No: 1398

SCALE: NTS

U.O.M.: Millimeters

SHEET: 2 OF 5

| Part Number | Resistance | Volt Rating |
|------------------|------------|-------------|
| MC1206S4F8201T5E | 8.2 kohm | 200 V |
| MC1206S4F8202T5E | 82 kohm | 200 V |
| MC1206S4F8203T5E | 820 kohm | 200 V |
| MC1206S4F820JT5E | 82 ohm | 200 V |
| MC1206S4F8250T5E | 825 ohm | 200 V |
| MC1206S4F8251T5E | 8.25 kohm | 200 V |
| MC1206S4F8252T5E | 82.5 kohm | 200 V |
| MC1206S4F8253T5E | 825 kohm | 200 V |
| MC1206S4F825JT5E | 82.5 ohm | 200 V |
| MC1206S4F8450T5E | 845 ohm | 200 V |
| MC1206S4F8452T5E | 84.5 kohm | 200 V |
| MC1206S4F8453T5E | 845 kohm | 200 V |
| MC1206S4F845JT5E | 84.5 ohm | 200 V |
| MC1206S4F8660T5E | 866 ohm | 200 V |
| MC1206S4F8661T5E | 8.66 kohm | 200 V |
| MC1206S4F8662T5E | 86.6 kohm | 200 V |
| MC1206S4F8663T5E | 866 kohm | 200 V |
| MC1206S4F8871T5E | 8.87 kohm | 200 V |
| MC1206S4F8872T5E | 88.7 kohm | 200 V |
| MC1206S4F8873T5E | 887 kohm | 200 V |
| MC1206S4F9090T5E | 909 ohm | 200 V |
| MC1206S4F9091T5E | 9.09 kohm | 200 V |
| MC1206S4F9092T5E | 90.9 kohm | 200 V |
| MC1206S4F9093T5E | 909 kohm | 200 V |
| MC1206S4F909JT5E | 90.9 ohm | 200 V |
| MC1206S4F9101T5E | 9.1 kohm | 200 V |
| MC1206S4F9102T5E | 91 kohm | 200 V |
| MC1206S4F9103T5E | 910 kohm | 200 V |
| MC1206S4F910JT5E | 91 ohm | 200 V |
| MC1206S4F9311T5E | 9.31 kohm | 200 V |
| MC1206S4F9312T5E | 93.1 kohm | 200 V |
| MC1206S4F9313T5E | 931 kohm | 200 V |
| MC1206S4F931JT5E | 93.1 ohm | 200 V |
| MC1206S4F9530T5E | 953 ohm | 200 V |
| MC1206S4F9531T5E | 9.53 kohm | 200 V |
| MC1206S4F9532T5E | 95.3 kohm | 200 V |
| MC1206S4F9533T5E | 953 kohm | 200 V |
| MC1206S4F953JT5E | 95.3 ohm | 200 V |
| MC1206S4F9760T5E | 976 ohm | 150 V |
| MC1206S4F9761T5E | 9.76 kohm | 150 V |
| MC1206S4F9762T5E | 97.6 kohm | 150 V |
| MC1206S4F9763T5E | 976 kohm | 150 V |
| MC1206S4F976JT5E | 97.6 ohm | 150 V |

ALL RIGHTS RESERVED. NO PORTION OF THIS PUBLICATION, WHETHER IN WHOLE OR IN PART CAN BE REPRODUCED WITHOUT THE EXPRESS WRITTEN CONSENT OF SPC TECHNOLOGY.

SIZE DWG. NO.

A

TA-1220

ELECTRONIC FILE

TA-1220.DWG

REV

A

SPC-F005.DWG

DOC. NO. SPC-F005 * Effective: 7/8/02 * DCP No: 1398

SCALE: NTS

U.O.M.: Millimeters

SHEET: 5 OF 5