



ALL RIGHTS RESERVED. NO PORTION OF THIS PUBLICATION, WHETHER IN WHOLE OR IN PART, CAN BE REPRODUCED WITHOUT THE EXPRESS WRITTEN CONSENT OF SPC TECHNOLOGY.

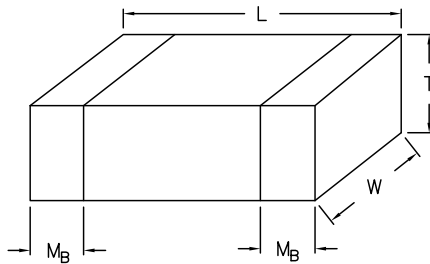
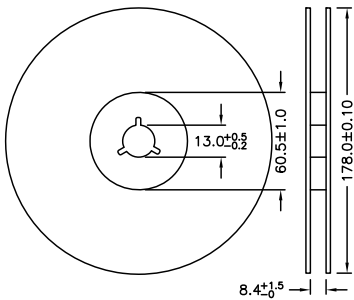
SPC-F005.DWG

REVISIONS

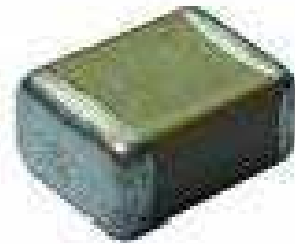
DOC. NO. SPC-F005 \* Effective: 7/8/02 \* DCP No: 1398

DCP #	REV	DESCRIPTION	DRAWN	DATE	CHECKD	DATE	APPRVD	DATE
2032	A	Released	JN	03/05/09	JWM	03/05/09	JWM	03/05/09
2050	B	Additional Parts Added	JN	06/01/09	JN	06/01/09	JN	06/01/09

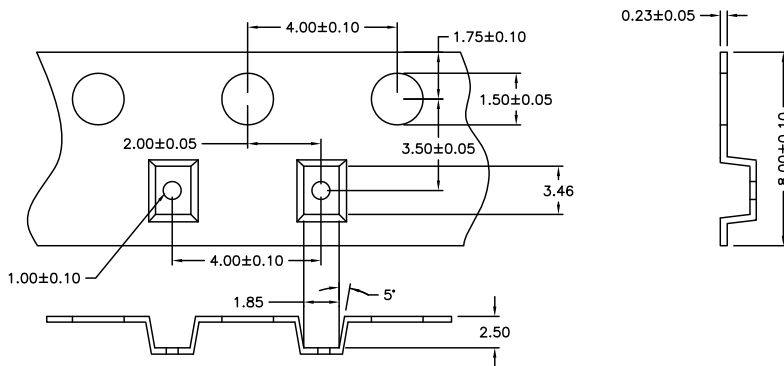
Tape & Reel Dimension



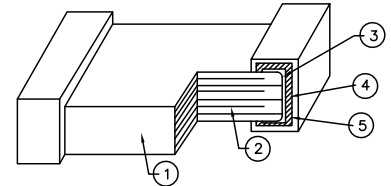
Capacitor Dimension		
L (mm)	W (mm)	M <sub>B</sub>
3.20±0.15	1.60±0.15	0.60±0.20



Plastic Tape



NO.	Name	X7R/X5R/Y5V
1	Ceramic material	BaTiO <sub>3</sub> based
2	Inner electrode	Ni
3	Inner layer	Cu
4	Termination Middle layer	NI
5	Outer layer	Sn (Matt)



DISCLAIMER: ALL STATEMENTS AND TECHNICAL INFORMATION CONTAINED HEREIN ARE BASED UPON INFORMATION AND/OR TESTS WE BELIEVE TO BE ACCURATE AND RELIABLE. SINCE CONDITIONS OF USE ARE BEYOND OUR CONTROL, THE USER SHALL DETERMINE THE SUITABILITY OF THE PRODUCT FOR THE INTENDED USE AND ASSUME ALL RISK AND LIABILITY WHATSOEVER IN CONNECTION THEREWITH.

TOLERANCES: UNLESS OTHERWISE SPECIFIED, DIMENSIONS ARE FOR REFERENCE PURPOSES ONLY.

DRAWN BY:	DATE:
Jason Nash	03/05/09
CHECKED BY:	DATE:
Jeff McVicker	03/05/09
APPROVED BY:	DATE:
Jeff McVicker	03/05/09

DRAWING TITLE: High capacitance, Multilayer Ceramic Capacitors

SIZE	DWG. NO.	ELECTRONIC FILE	REV
A	Ta-1106	Ta-1106.dwg	B
SCALE: NTS	U.O.M.: INCHES [mm]	SHEET: 1 OF 3	

Manufacturers part number	Sell Unit of Measure	Reel Quantity	Capacitance	Capacitance Tolerance	Dielectric Characteristic	Package/Case	Voltage Rating
MC1206B155K100CT	TC		1.5 µF	± 10%	X7R	1206	10 VDC
MC1206B155K100CT	TR	3000	1.5 µF	± 10%	X7R	1206	10 VDC
MC1206F106Z100CT	TC		10 µF	+80, -20%	Y5V	1206	10 VDC
MC1206F106Z100CT	TR	3000	10 µF	+80, -20%	Y5V	1206	10 VDC
MC1206F226Z100CT	TC		22 µF	+80, -20%	Y5V	1206	10 VDC
MC1206F226Z100CT	TR	2000	22 µF	+80, -20%	Y5V	1206	10 VDC
MC1206B105K160CT	TC		1 µF	± 10%	X7R	1206	16 VDC
MC1206B105K160CT	TR	3000	1 µF	± 10%	X7R	1206	16 VDC
MC1206B105M160CT	TC		1 µF	± 20%	X7R	1206	16 VDC
MC1206F105Z160CT	TC		1 µF	+80, -20%	Y5V	1206	16 VDC
MC1206F105Z160CT	TR	3000	1 µF	+80, -20%	Y5V	1206	16 VDC
MC1206B155K160CT	TC		1.5 µF	± 10%	X7R	1206	16 VDC
MC1206B155K160CT	TR	3000	1.5 µF	± 10%	X7R	1206	16 VDC
MC1206F155Z160CT	TC		1.5 µF	+80, -20%	Y5V	1206	16 VDC
MC1206F155Z160CT	TR	3000	1.5 µF	+80, -20%	Y5V	1206	16 VDC
MC1206F106Z160CT	TC		10 µF	+80, -20%	Y5V	1206	16 VDC
MC1206F106Z160CT	TR	3000	10 µF	+80, -20%	Y5V	1206	16 VDC
MC1206B225K160CT	TC		2.2 µF	± 10%	X7R	1206	16 VDC
MC1206B225K160CT	TR	3000	2.2 µF	± 10%	X7R	1206	16 VDC
MC1206B225M160CT	TC		2.2 µF	± 20%	X7R	1206	16 VDC
MC1206F225Z160CT	TC		2.2 µF	+80, -20%	Y5V	1206	16 VDC
MC1206F225Z160CT	TR	3000	2.2 µF	+80, -20%	Y5V	1206	16 VDC
MC1206F335Z160CT	TC		3.3 µF	+80, -20%	Y5V	1206	16 VDC
MC1206F335Z160CT	TR	3000	3.3 µF	+80, -20%	Y5V	1206	16 VDC
MC1206F475Z160CT	TC		4.7 µF	+80, -20%	Y5V	1206	16 VDC
MC1206F475Z160CT	TR	3000	4.7 µF	+80, -20%	Y5V	1206	16 VDC
MC1206B105K250CT	TC		1 µF	± 10%	X7R	1206	25 VDC
MC1206B105K250CT	TR	3000	1 µF	± 10%	X7R	1206	25 VDC
MC1206B105M250CT	TC		1 µF	± 20%	X7R	1206	25 VDC
MC1206F105Z250CT	TC		1 µF	+80, -20%	Y5V	1206	25 VDC
MC1206F105Z250CT	TR	3000	1 µF	+80, -20%	Y5V	1206	25 VDC
MC1206F155Z250CT	TC		1.5 µF	+80, -20%	Y5V	1206	25 VDC
MC1206F155Z250CT	TR	3000	1.5 µF	+80, -20%	Y5V	1206	25 VDC
MC1206F106Z250CT	TC		10 µF	+80, -20%	Y5V	1206	25 VDC
MC1206F106Z250CT	TR	3000	10 µF	+80, -20%	Y5V	1206	25 VDC
MC1206F225Z250CT	TC		2.2 µF	+80, -20%	Y5V	1206	25 VDC
MC1206F225Z250CT	TR	3000	2.2 µF	+80, -20%	Y5V	1206	25 VDC
MC1206F475Z250CT	TC		4.7 µF	+80, -20%	Y5V	1206	25 VDC
MC1206F475Z250CT	TR	3000	4.7 µF	+80, -20%	Y5V	1206	25 VDC
MC1206B105K500CT	TC		1 µF	± 10%	X7R	1206	50 VDC
MC1206B105K500CT	TR	2000	1 µF	± 10%	X7R	1206	50 VDC
MC1206F105Z500CT	TC		1 µF	+80, -20%	Y5V	1206	50 VDC
MC1206F105Z500CT	TR	3000	1 µF	+80, -20%	Y5V	1206	50 VDC

ALL RIGHTS RESERVED. NO PORTION OF THIS PUBLICATION, WHETHER IN WHOLE OR IN PART CAN BE REPRODUCED WITHOUT THE EXPRESS WRITTEN CONSENT OF SPC TECHNOLOGY.

SIZE DWG. NO.

A

Ta-1106

ELECTRONIC FILE

Ta-1106.DWG

REV

B

SPC-F005.DWG

DOC. NO. SPC-F005 \* Effective: 7/8/02 \* DCP No: 1398

SCALE: NTS

U.O.M.: Millimeters

SHEET: 2 OF 3

Manufacturers part number	Sell Unit of Measure	Reel Quantity	Capacitance	Capacitance Tolerance	Dielectric Characteristic	Package/Case	Voltage Rating
MC1206X106K6R3CT	TC		10 µF	± 10%	X5R	1206	6.3 VDC
MC1206X106K6R3CT	TR	3000	10 µF	± 10%	X5R	1206	6.3 VDC
MC1206X226M6R3CT	TC		22 µF	± 20%	X5R	1206	6.3 VDC
MC1206X226M6R3CT	TR	2000	22 µF	± 20%	X5R	1206	6.3 VDC
MC1206X475K6R3CT	TC		4.7 µF	± 10%	X5R	1206	6.3 VDC
MC1206X475K6R3CT	TR	3000	4.7 µF	± 10%	X5R	1206	6.3 VDC
MC1206X475M6R3CT	TC		4.7 µF	± 20%	X5R	1206	6.3 VDC
MC1206X106K100CT	TC		10 µF	± 10%	X5R	1206	10 VDC
MC1206X106M100CT	TC		10 µF	± 20%	X5R	1206	10 VDC
MC1206X106M100CT	TR	3000	10 µF	± 20%	X5R	1206	10 VDC
MC1206X225K100CT	TC		2.2 µF	± 10%	X5R	1206	10 VDC
MC1206X225K100CT	TR	3000	2.2 µF	± 10%	X5R	1206	10 VDC
MC1206X225M100CT	TC		2.2 µF	± 20%	X5R	1206	10 VDC
MC1206X226M100CT	TC		22 µF	± 20%	X5R	1206	10 VDC
MC1206X226M100CT	TR	2000	22 µF	± 20%	X5R	1206	10 VDC
MC1206X335K100CT	TC		3.3 µF	± 10%	X5R	1206	10 VDC
MC1206X335K100CT	TR	3000	3.3 µF	± 10%	X5R	1206	10 VDC
MC1206X475K100CT	TC		4.7 µF	± 10%	X5R	1206	10 VDC
MC1206X475K100CT	TR	3000	4.7 µF	± 10%	X5R	1206	10 VDC
MC1206X475M100CT	TC		4.7 µF	± 20%	X5R	1206	10 VDC
MC1206X475M100CT	TR	3000	4.7 µF	± 20%	X5R	1206	10 VDC
MC1206X106K160CT	TC		10 µF	± 10%	X5R	1206	16 VDC
MC1206X106K160CT	TR	3000	10 µF	± 10%	X5R	1206	16 VDC
MC1206X106M160CT	TC		10 µF	± 20%	X5R	1206	16 VDC
MC1206X106M160CT	TR	3000	10 µF	± 20%	X5R	1206	16 VDC
MC1206X475K160CT	TC		4.7 µF	± 10%	X5R	1206	16 VDC
MC1206X475K160CT	TR	3000	4.7 µF	± 10%	X5R	1206	16 VDC
MC1206X475M160CT	TC		4.7 µF	± 20%	X5R	1206	16 VDC
MC1206X475M160CT	TR	3000	4.7 µF	± 20%	X5R	1206	16 VDC
MC1206X106K250CT	TC		10 µF	± 10%	X5R	1206	25 VDC
MC1206X106K250CT	TR	3000	10 µF	± 10%	X5R	1206	25 VDC
MC1206X106M250CT	TC		10 µF	± 20%	X5R	1206	25 VDC
MC1206X106M250CT	TR	3000	10 µF	± 20%	X5R	1206	25 VDC
MC1206X225K250CT	TC		2.2 µF	± 10%	X5R	1206	25 VDC
MC1206X225K250CT	TR	3000	2.2 µF	± 10%	X5R	1206	25 VDC
MC1206X225M250CT	TC		2.2 µF	± 20%	X5R	1206	25 VDC
MC1206X475K250CT	TC		4.7 µF	± 10%	X5R	1206	25 VDC
MC1206X475K250CT	TR	3000	4.7 µF	± 10%	X5R	1206	25 VDC
MC1206X475M250CT	TC		4.7 µF	± 20%	X5R	1206	25 VDC
MC1206X475M250CT	TR	3000	4.7 µF	± 20%	X5R	1206	25 VDC

ALL RIGHTS RESERVED. NO PORTION OF THIS PUBLICATION, WHETHER IN WHOLE OR IN PART CAN BE REPRODUCED WITHOUT THE EXPRESS WRITTEN CONSENT OF SPC TECHNOLOGY.

SIZE DWG. NO.

A

Ta-1106

ELECTRONIC FILE

Ta-1106.DWG

REV

B

SPC-F005.DWG

DOC. NO. SPC-F005 \* Effective: 7/8/02 \* DCP No: 1398

SCALE: NTS

U.O.M.: Millimeters

SHEET: 3 OF 3