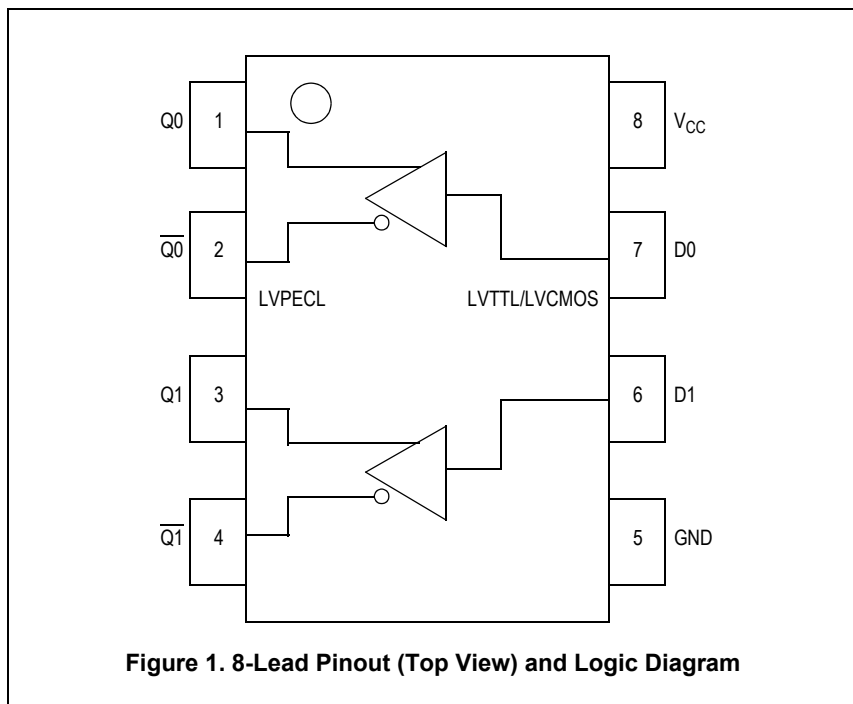


The MC100ES60T22 is a low skew dual LVTTTL/LVCMOS to differential LVPECL translator. The low voltage PECL levels, small package, and dual gate design are ideal for clock translation applications.

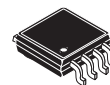
Features

- 280 ps typical propagation delay
- 100 ps max output-to-output skew
- LVPECL operating range: $V_{CC} = 3.135\text{ V to }3.8\text{ V}$
- 8-lead SOIC and 8-lead TSSOP packages
- Ambient temperature range $-40^{\circ}\text{C to }+85^{\circ}\text{C}$
- 8-lead SOIC Pb-free package available



D SUFFIX
8-LEAD SOIC PACKAGE
CASE 751-07

EF SUFFIX
8-LEAD SOIC PACKAGE
Pb-FREE PACKAGE
CASE 751-07



DT SUFFIX
8-LEAD TSSOP PACKAGE
CASE 1640-01

EJ SUFFIX
8-LEAD SOIC PACKAGE
Pb-FREE PACKAGE
CASE 1640-01

ORDERING INFORMATION

| Device | Package |
|------------------|-------------------|
| MC100ES60T22D | SOIC-8 |
| MC100ES60T22DR2 | SOIC-8 |
| MC100ES60T22EF | SOIC-8 (Pb-Free) |
| MC100ES60T22EFR2 | SOIC-8 (Pb-Free) |
| MC100ES60T22DT | TSSOP-8 |
| MC100ES60T22DTR2 | TSSOP-8 |
| MC100ES60T22EJ | TSSOP-8 (Pb-Free) |
| MC100ES60T22EJR2 | TSSOP-8 (Pb-Free) |

PIN DESCRIPTION

| Pin | Function |
|----------|-----------------------------|
| D0, D1 | LVTTTL/LVCMOS Inputs |
| Qn, Qn | LVPECL Differential Outputs |
| V_{CC} | Positive Supply |
| GND | Negative Supply |

Table 1. General Specifications

| Characteristics | | Value |
|--------------------------------------------------------|-------------------|---------------|
| Internal Input Pulldown Resistor | | 75 k Ω |
| Internal Input Pullup Resistor | | 75 k Ω |
| ESD Protection | Human Body Model | > 2000 V |
| | Machine Model | > 200 V |
| θ_{JA} Thermal Resistance (Junction-to-Ambient) | 0 LFPM, 8 SOIC | 190°C/W |
| | 500 LFPM, 8 SOIC | 130°C/W |
| | 0 LFPM, 8 TSSOP | 185°C/W |
| | 500 LFPM, 8 TSSOP | 140°C/W |

Meets or exceeds JEDEC Spec EIA/JESD78 IC Latchup Test

Table 2. Absolute Maximum Ratings⁽¹⁾

| Symbol | Rating | Conditions | Rating | Units |
|--------------|-----------------------------|----------------------------------------|----------------------------------|----------|
| V_{SUPPLY} | Power Supply Voltage | Difference between V_{CC} & V_{EE} | 3.9 | V |
| V_{IN} | Input Voltage | $V_{CC} - V_{EE} \leq 3.6$ V | $V_{CC} + 0.3$ $V_{EE} - 0.3$ | V V |
| I_{out} | Output Current | Continuous Surge | 50 100 | mA mA |
| T_A | Operating Temperature Range | | -40 to +85 | °C |
| T_{STG} | Storage Temperature Range | | -65 to +150 | °C |

1. Absolute maximum continuous ratings are those maximum values beyond which damage to the device may occur. Exposure to these conditions or conditions beyond those indicated may adversely affect device reliability. Functional operation at absolute-maximum-rated conditions is not implied.

Table 3. DC Characteristics ($V_{CC} = 3.135$ V to 3.8 V; $V_{EE} = 0$ V)

| Symbol | Characteristic | -40°C | | | 0°C to 85°C | | | Unit |
|----------------|---------------------|-----------------|-----------------|-----------------|-----------------|-----------------|-----------------|------|
| | | Min | Typ | Max | Min | Typ | Max | |
| $V_{OH}^{(1)}$ | Output HIGH Voltage | $V_{CC} - 1150$ | $V_{CC} - 1020$ | $V_{CC} - 800$ | $V_{CC} - 1200$ | $V_{CC} - 970$ | $V_{CC} - 750$ | mV |
| $V_{OL}^{(1)}$ | Output LOW Voltage | $V_{CC} - 1950$ | $V_{CC} - 1620$ | $V_{CC} - 1250$ | $V_{CC} - 2000$ | $V_{CC} - 1680$ | $V_{CC} - 1300$ | mV |

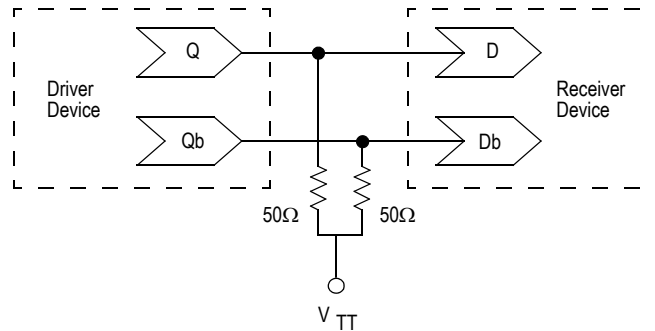
1. Outputs are terminated through a 50 Ω resistor to $V_{CC} - 2$ volts.

Table 4. LVTTTL / LVCMOS Input DC Characteristics ($V_{CC} = 3.135$ V to 3.8 V)

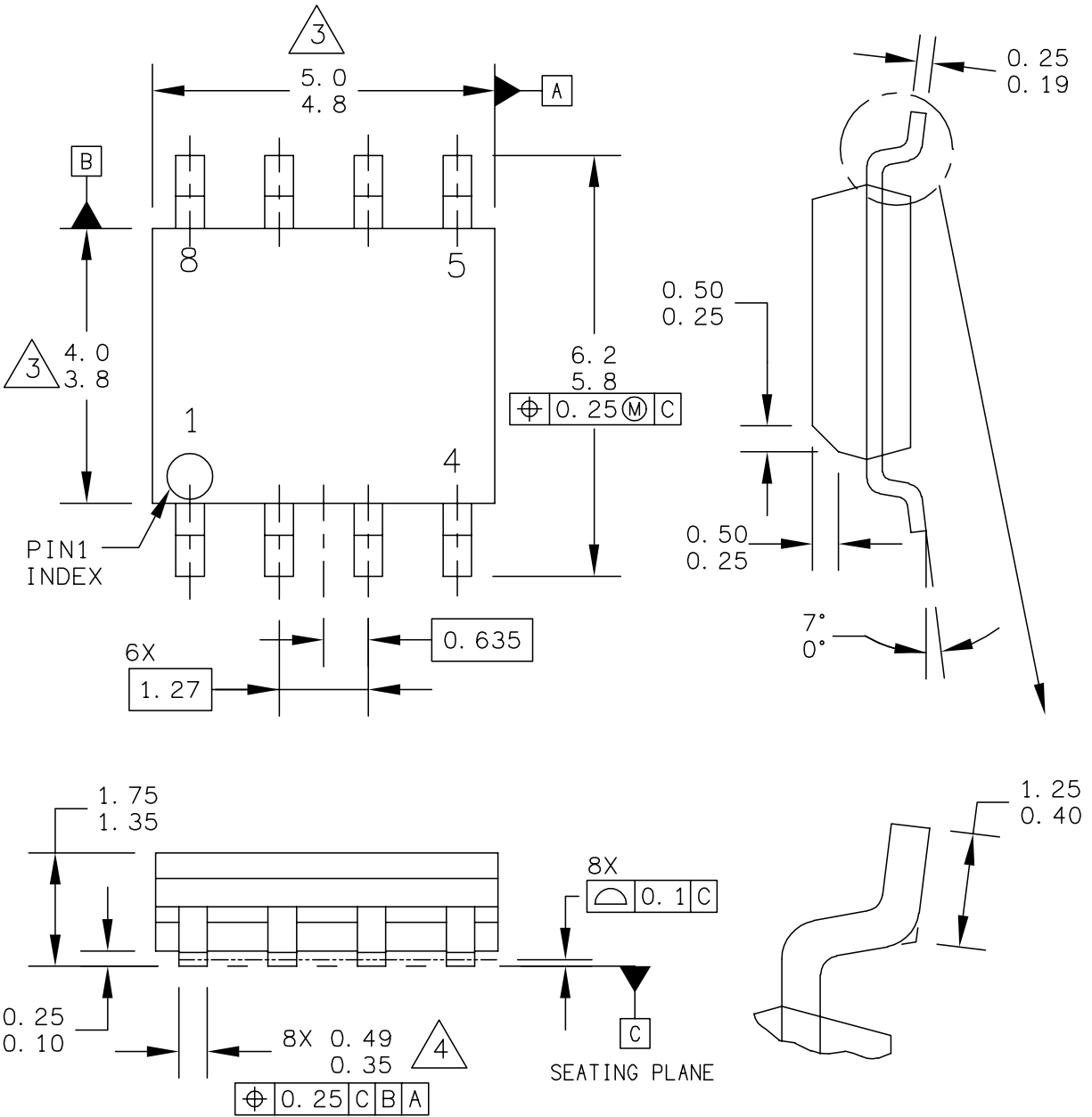
| Symbol | Characteristic | Condition | -40°C | | | 0°C to 85°C | | | Unit |
|----------|---------------------|-------------------|-------|-----|----------------|-------------|-----|----------------|---------|
| | | | Min | Typ | Max | Min | Typ | Max | |
| I_{IN} | Input Current | $V_{IN} = V_{CC}$ | | | ± 150 | | | ± 150 | μ A |
| V_{IK} | Input Clamp Voltage | $I_{IN} = -18$ mA | | | -1.2 | | | -1.2 | V |
| V_{IH} | Input HIGH Voltage | | 2.0 | | $V_{CC} + 0.3$ | 2.0 | | $V_{CC} + 0.3$ | V |
| V_{IL} | Input LOW Voltage | | | | 0.8 | | | 0.8 | V |

Table 5. AC Characteristics ($V_{CC} = 3.134\text{ V to }3.8\text{ V}$; $V_{EE} = 0\text{ V}$)

| Symbol | Characteristic | -40°C | | | 25°C | | | 85°C | | | Unit |
|--------------------------|-----------------------------------------|-------|-----|-----|------|-----|-----|------|-----|-----|------|
| | | Min | Typ | Max | Min | Typ | Max | Min | Typ | Max | |
| f_{max} | Maximum Toggle Frequency | | | 1 | | | 1 | | | 1 | GHz |
| t_{PLH} , t_{PHL} | Propagation Delay | 100 | 260 | 400 | 100 | 280 | 400 | 100 | 280 | 450 | ps |
| t_{SKEW} | Skew part-to-part | | | 300 | | | 300 | | | 350 | ps |
| t_{JITTER} | Cycle-to-Cycle Jitter RMS (1σ) | | | 1 | | | 1 | | | 1 | ps |
| V_{outPP} | Output Peak-to-Peak Voltage | 350 | 750 | | 350 | 750 | | 350 | 750 | | mV |
| t_r / t_f | Output Rise/Fall Times (20% – 80%) | 50 | | 400 | 50 | | 400 | 50 | | 400 | ps |

**Figure 2. Typical Termination for Output Driver and Device Evaluation**

PACKAGE DIMENSIONS



| | | | |
|---------------------------------------------------------|--------------------------------|--------------------------|------------------------------------|
| © FREESCALE SEMICONDUCTOR, INC. ALL RIGHTS RESERVED. | MECHANICAL OUTLINE | | PRINT VERSION NOT TO SCALE |
| | TITLE: 8LD SOIC NARROW BODY | | DOCUMENT NO: 98ASB42564B REV: U |
| | | CASE NUMBER: 751-07 | 07 APR 2005 |
| | | STANDARD: JEDEC MS-012AA | PAGE 1 OF 2 |

**CASE 751-07
ISSUE U
8-LEAD SOIC PACKAGE**

PACKAGE DIMENSIONS

NOTES:

1. DIMENSIONS ARE IN MILLIMETERS.

2. DIMENSIONING AND TOLERANCING PER ASME Y14.5M-1994.

3. DIMENSION DOES NOT INCLUDE MOLD PROTRUSION. MAXIMUM MOLD PROTRUSION 0.15 PER SIDE.

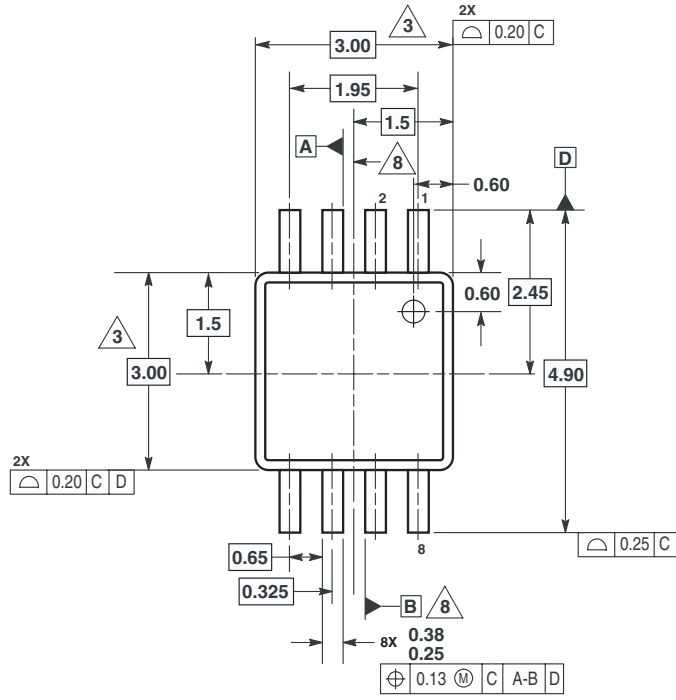
4. DIMENSION DOES NOT INCLUDE DAMBAR PROTRUSION. ALLOWABLE DAMBAR PROTRUSION SHALL BE 0.127 TOTAL IN EXCESS OF THE DIMENSION AT MAXIMUM MATERIAL CONDITION.

| | | | |
|---------------------------------------------------------|---------------------------|----------------------------|--|
| © FREESCALE SEMICONDUCTOR, INC. ALL RIGHTS RESERVED. | MECHANICAL OUTLINE | PRINT VERSION NOT TO SCALE | |
| TITLE: 8LD SOIC NARROW BODY | DOCUMENT NO: 98ASB42564B | REV: U | |
| | CASE NUMBER: 751-07 | 07 APR 2005 | |
| | STANDARD: JEDEC MS-012AA | | |

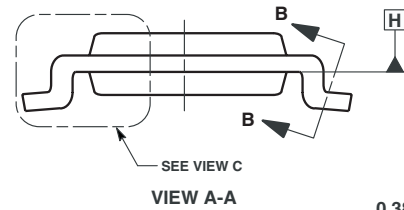
PAGE 2 OF 2

**CASE 751-07
ISSUE U
8-LEAD SOIC PACKAGE**

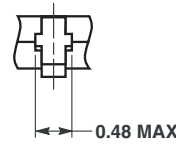
PACKAGE DIMENSIONS



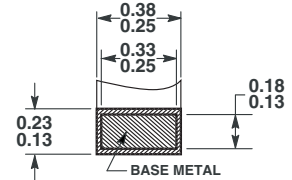
TOP VIEW



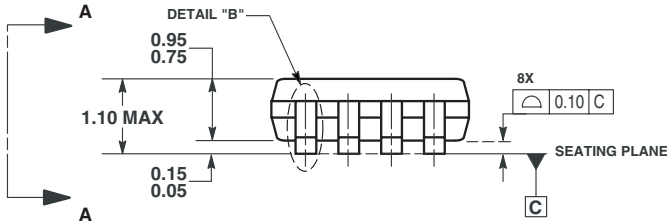
VIEW A-A



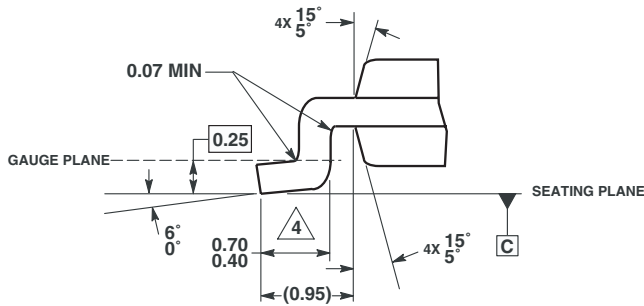
DETAIL "B"
DAMBAR PROTRUSION



SECTION B-B
SEE NOTE 6



SIDE VIEW



VIEW C

NOTES:

1. DIMENSIONING AND TOLERANCING PER ASME Y14.5M, 1994.
2. DIMENSIONS ARE IN MILLIMETERS.
3. THIS DIMENSION DOES NOT INCLUDE MOLD FLASH OR PROTRUSIONS AND ARE MEASURED AT DATUM H. MOLD FLASH OR PROTRUSIONS, SHALL NOT EXCEED 0.15mm PER SIDE.
4. DIMENSION IS THE LENGTH OF TERMINAL FOR SOLDERING TO A SUBSTRATE.
5. THE LEAD WIDTH DIMENSION DOES NOT INCLUDE DAMBAR PROTRUSION. ALLOWABLE DAMBAR PROTRUSION SHALL BE 0.08mm TOTAL IN EXCESS OF THE LEAD WIDTH DIMENSION AT MAXIMUM MATERIAL CONDITION. DAMBAR CANNOT BE LOCATED ON THE LOWER RADIUS OR THE LEAD FOOT. MINIMUM SPACE BETWEEN PROTRUSIONS AND ADJACENT LEAD TO BE 0.14mm SEE DETAIL "B" AND SECTION B-B.
6. SECTION B-B TO BE DETERMINED AT 0.10 TO 0.25mm FROM THE LEAD TIP.
7. THIS PART IS COMPLIANT WITH JEDEC REGISTRATION MO-187 AA.
8. DATUMS A AND B TO BE DETERMINED DATUM PLANE H.

CASE 1640-01
ISSUE O
8-LEAD TSSOP PACKAGE



www.IDT.com

6024 Silver Creek Valley Road
San Jose, California 95138

Sales
800-345-7015 (inside USA)
+408-284-8200 (outside USA)
Fax: 408-284-2775
www.IDT.com/go/contactIDT

Technical Support
netcom@idt.com
+480-763-2056

DISCLAIMER Integrated Device Technology, Inc. (IDT) and its subsidiaries reserve the right to modify the products and/or specifications described herein at any time and at IDT's sole discretion. All information in this document, including descriptions of product features and performance, is subject to change without notice. Performance specifications and the operating parameters of the described products are determined in the independent state and are not guaranteed to perform the same way when installed in customer products. The information contained herein is provided without representation or warranty of any kind, whether express or implied, including, but not limited to, the suitability of IDT's products for any particular purpose, an implied warranty of merchantability, or non-infringement of the intellectual property rights of others. This document is presented only as a guide and does not convey any license under intellectual property rights of IDT or any third parties.

IDT's products are not intended for use in life support systems or similar devices where the failure or malfunction of an IDT product can be reasonably expected to significantly affect the health or safety of users. Anyone using an IDT product in such a manner does so at their own risk, absent an express, written agreement by IDT.

Integrated Device Technology, IDT and the IDT logo are registered trademarks of IDT. Other trademarks and service marks used herein, including protected names, logos and designs, are the property of IDT or their respective third party owners.

Copyright 2009. All rights reserved.