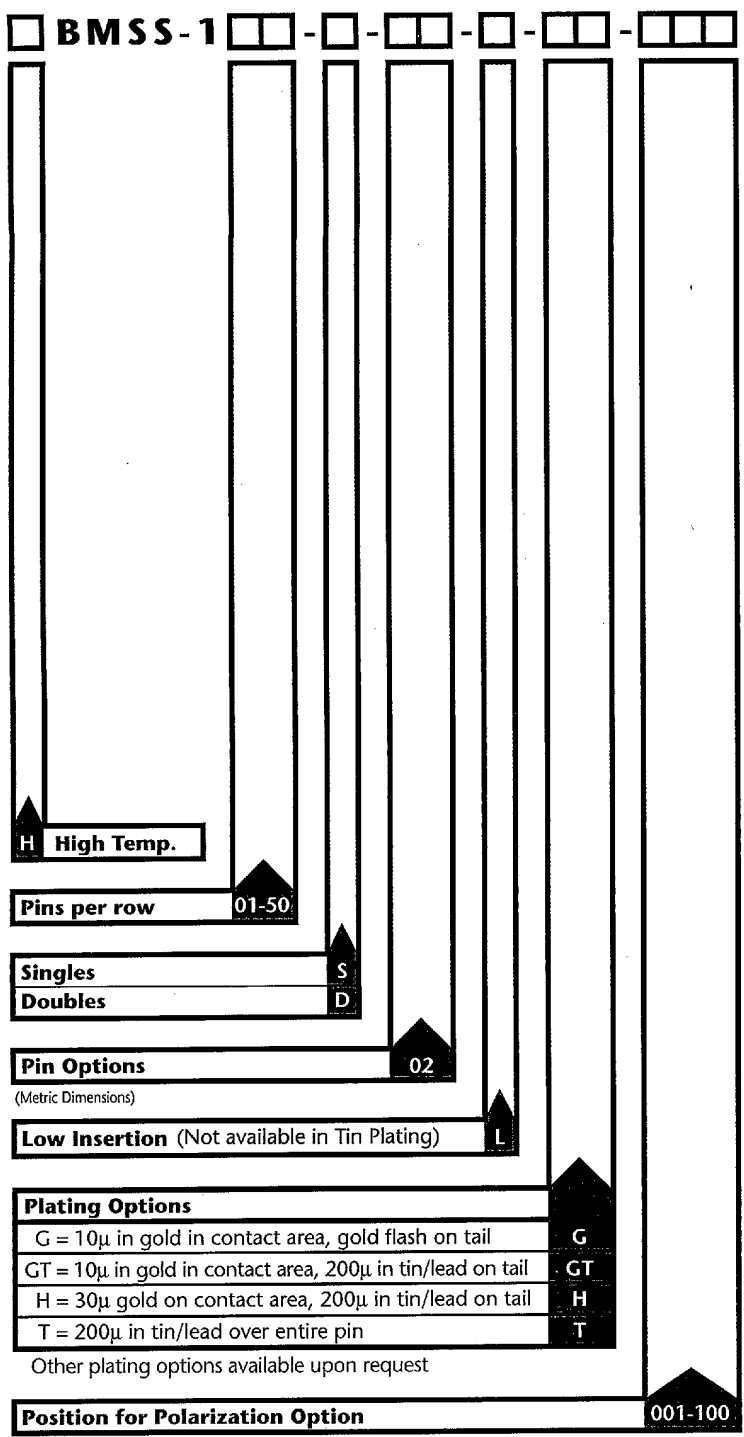


# MAJOR LEAGUE ELECTRONICS

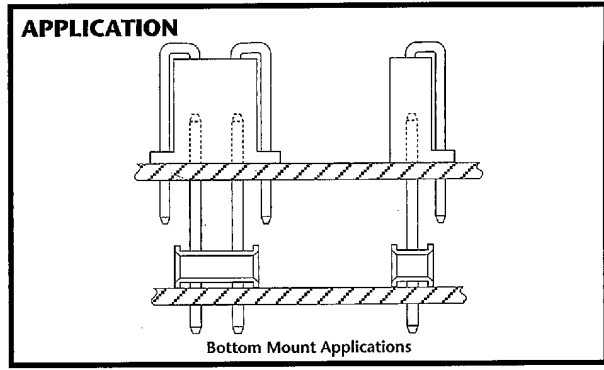
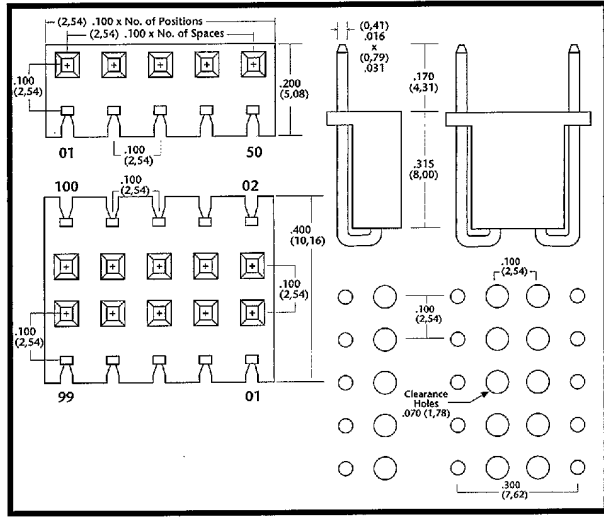
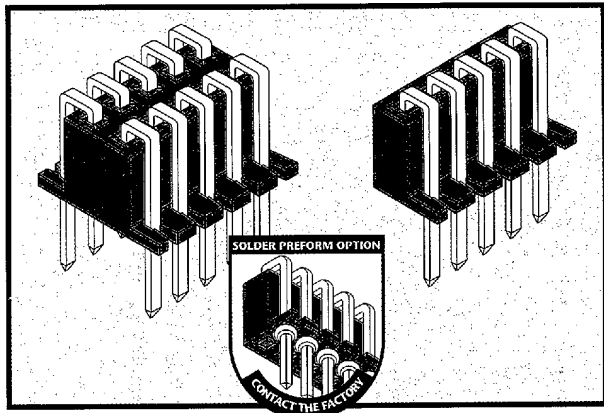
## .100" c.l. Bottom Mount Socket Strip



.100"



**Mates with:** TSHS, TSHR, TSHC, BSTS, BSTC, TSCHRE, LTSHR, LTSHRE, BSTCM, LTSHCRE, TSHRE, TSHSM, TSHCR



Product cut to specific sizes is noncancellable/nonreturnable. Parts are subject to change without notice.



### Materials & Performance Specifications

	STANDARD	HIGH TEMPERATURE
Insulator	Black, glass filled, polyester	High temperature thermoplastic
Terminal	Phosphor Bronze	Phosphor Bronze
Insulation Resistance	5,000M Ω minimum	5,000M Ω minimum
Flammability	UL 94V-O	UL 94V-O
Temperature Range	-65°C to +125°C	-65°C to +250°C
Current Rating	1 ampere	1 ampere
Plating	All Plating Options over 50μ in Ni	All Plating Options over 50μ in Ni

**Delivery On Time Every Time... Or The Order's Free!**