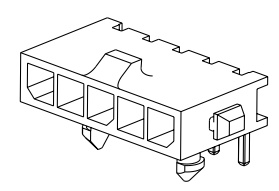
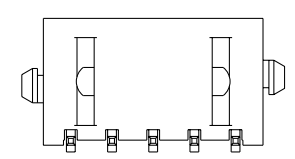
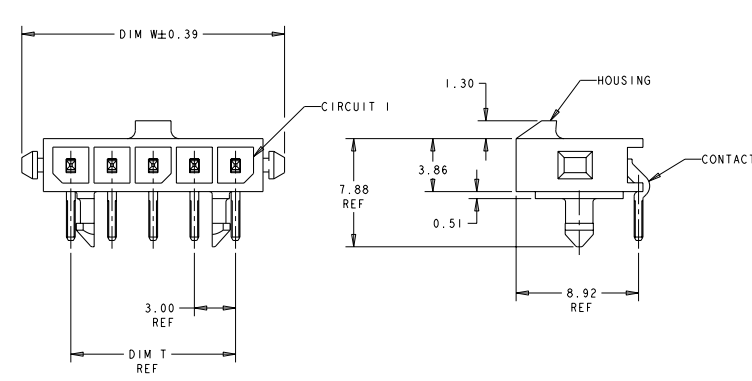


THIS DRAWING IS UNPUBLISHED. RELEASED FOR PUBLICATION. ALL RIGHTS RESERVED.

REV	DATE	BY	APP'D
AI	10MAR2001	JK	HMR



- △ MATERIAL: CONTACTS - BRASS
HOUSING - UL 94V-0 RATED HIGH TEMP NYLON, COLOR BLACK.
- △ PLATING: CONTACTS - 2.54µm MINIMUM TIN-LEAD OVER 1.27µm MINIMUM NICKEL.
- △ RECOMMENDED PC BOARD THICKNESS OF 1.57.
- △ PLATING: CONTACTS - 2.54µm MINIMUM MATTE TIN OVER 1.27µm MINIMUM NICKEL.

△	33.00	28.70	33.00	40.14	12	3-1445055-2
△	30.00	25.70	30.00	37.14	11	3-1445055-1
△	27.00	22.70	27.00	34.14	10	3-1445055-0
△	24.00	19.70	24.00	31.14	9	2-1445055-9
△	21.00	16.70	21.00	28.14	8	2-1445055-8
△	18.00	13.70	18.00	25.14	7	2-1445055-7
△	15.00	10.70	15.00	22.14	6	2-1445055-6
△	12.00	7.70	12.00	19.14	5	2-1445055-5
△	9.00	4.70	9.00	16.14	4	2-1445055-4
△	-	-	6.00	13.14	3	2-1445055-3
△	-	-	3.00	10.14	2	2-1445055-2
△	33.00	28.70	33.00	40.14	12	1-1445055-2
△	27.00	22.70	27.00	34.14	10	1-1445055-0
△	24.00	19.70	24.00	31.14	9	1445055-9
△	21.00	16.70	21.00	28.14	8	1445055-8
△	18.00	13.70	18.00	25.14	7	1445055-7
△	15.00	10.70	15.00	22.14	6	1445055-6
△	12.00	7.70	12.00	19.14	5	1445055-5
△	9.00	4.70	9.00	16.14	4	1445055-4
△	-	-	6.00	13.14	3	1445055-3
△	-	-	3.00	10.14	2	1445055-2
FINISH	DIM Z	DIM V	DIM T	DIM W	NO. OF POSN	PART NUMBER

METRIC

THIS DRAWING IS A CONTROLLED DOCUMENT. DWG NO. 06OCT2000
 DATE 13-MAR-2001
 DESIGNED BY J. MILLIKER
 CHECKED BY J. MILLIKER
 APPROVED BY J. MILLIKER
 PRODUCT SPEC. NAME: RIGHT ANGLE THRU HOLEHEADER ASSY, TIN CONTACTS W/PLASTIC HOLDDOWNS, SINGLE ROW, MICRO MATE-N-LOK™
 APPLICATION SPEC. SHEET CASE CODE DRAWING NO. A200779 ©-1445055
 WEIGHT: - RESTRICTED TO: -
 MATERIAL: SEE TABLE CUSTOMER DRAWING SCALE: 5:1 SHEET 1 OF 2 REV: A1

4

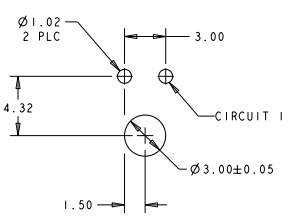
3

2

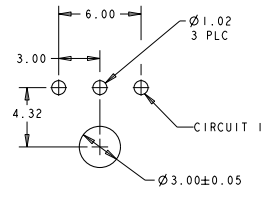
1

THIS DRAWING IS UNPUBLISHED. RELEASED FOR PUBLICATION
 COPYRIGHT © BY - ALL RIGHTS RESERVED.

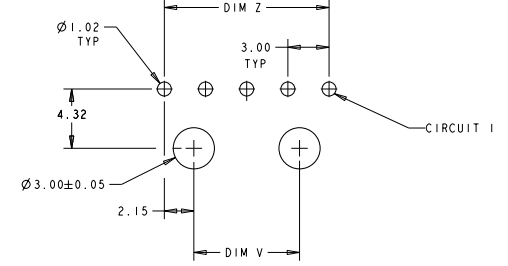
REV	DATE	BY	APPROV	DESCRIPTION
00	-	-	-	SEE SHEET 1



PCB LAYOUT FOR 2 POSITION COMPONENT SIDE



PCB LAYOUT FOR 3 POSITION COMPONENT SIDE



PCB LAYOUT FOR 4-12 POSITION COMPONENT SIDE



THIS DRAWING IS A CONTROLLED DOCUMENT.		OWN: J. ROOT	08OCT2000	
DIMENSIONS: mm		CD: A. WHITTAKER	13-MAR-2001	
TOLERANCES UNLESS OTHERWISE SPECIFIED:		APP: A. WHITTAKER	14-MAR-2001	TE TE Connectivity RIGHT ANGLE THRU HOLEHEADER ASSY, TIN CONTACTS W/PLASTIC HOLDDOWNS, SINGLE ROW, MICRO MATE-N-LOK™
0 PLC ±. 1 PLC ±. 2 PLC ±0.13 3 PLC ±. 4 PLC ±. ANGLES ±. FINISH		PRODUCT SPEC:	NAME:	
MATERIAL:		APPLICATION SPEC:	SHEET:	
SEE TABLE CUSTOMER DRAWING		WEIGHT:	CASE CODE: A200779 DRAWING NO: C-1445055 RESTRICTED TO:	
SCALE: 5:1			SHEET: 2 OF 2	REV: A.1