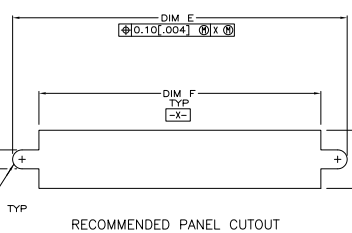
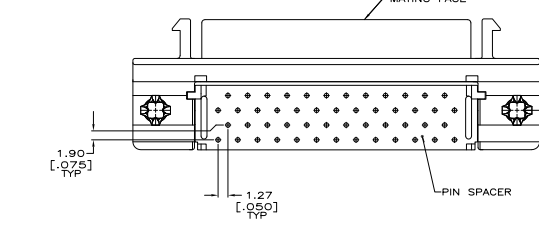
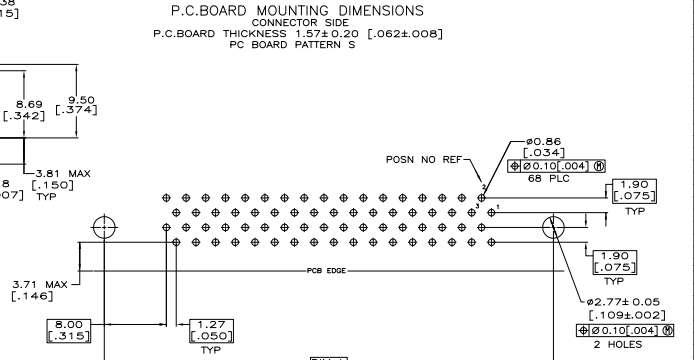
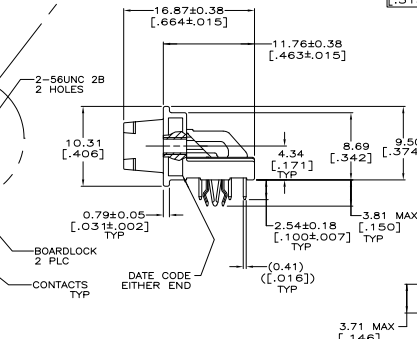
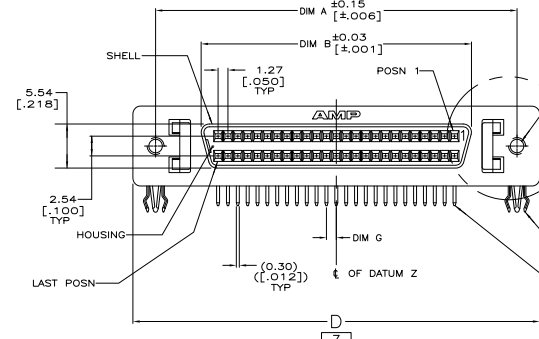
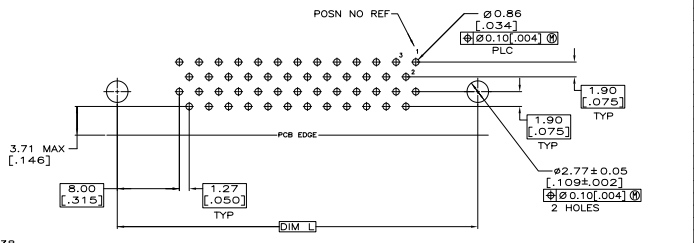
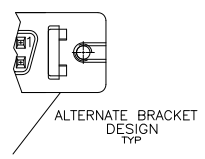
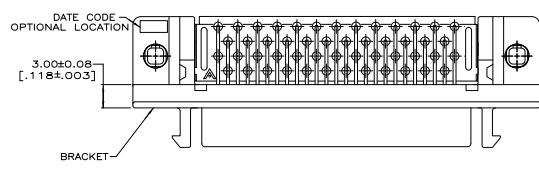


THIS DRAWING IS UNAPPROVED FOR PUBLICATION
 © 1988 BY TYCO ELECTRONICS CORPORATION. ALL RIGHTS RESERVED.

REV	DATE	DESCRIPTION	BY	CHK	APP
00					
01		REVISED FOR ECO-08-010444			



OBsolete	TRAY	S	46.48	1.27	42.80	48.92	52.45	34.70	46.48	50	1-5787082-5
	TUBE <td>T <td>78.23 <td>0.64 <td>74.55 <td>80.67 <td>84.20 <td>66.45 <td>78.23 <td>100 <td>5787082-9</td> </td></td></td></td></td></td></td></td></td>	T <td>78.23 <td>0.64 <td>74.55 <td>80.67 <td>84.20 <td>66.45 <td>78.23 <td>100 <td>5787082-9</td> </td></td></td></td></td></td></td></td>	78.23 <td>0.64 <td>74.55 <td>80.67 <td>84.20 <td>66.45 <td>78.23 <td>100 <td>5787082-9</td> </td></td></td></td></td></td></td>	0.64 <td>74.55 <td>80.67 <td>84.20 <td>66.45 <td>78.23 <td>100 <td>5787082-9</td> </td></td></td></td></td></td>	74.55 <td>80.67 <td>84.20 <td>66.45 <td>78.23 <td>100 <td>5787082-9</td> </td></td></td></td></td>	80.67 <td>84.20 <td>66.45 <td>78.23 <td>100 <td>5787082-9</td> </td></td></td></td>	84.20 <td>66.45 <td>78.23 <td>100 <td>5787082-9</td> </td></td></td>	66.45 <td>78.23 <td>100 <td>5787082-9</td> </td></td>	78.23 <td>100 <td>5787082-9</td> </td>	100 <td>5787082-9</td>	5787082-9
	TUBE <td>T <td>57.91 <td>0.64 <td>54.23 <td>60.35 <td>63.88 <td>46.13 <td>57.91 <td>68 <td>5787082-7</td> </td></td></td></td></td></td></td></td></td>	T <td>57.91 <td>0.64 <td>54.23 <td>60.35 <td>63.88 <td>46.13 <td>57.91 <td>68 <td>5787082-7</td> </td></td></td></td></td></td></td></td>	57.91 <td>0.64 <td>54.23 <td>60.35 <td>63.88 <td>46.13 <td>57.91 <td>68 <td>5787082-7</td> </td></td></td></td></td></td></td>	0.64 <td>54.23 <td>60.35 <td>63.88 <td>46.13 <td>57.91 <td>68 <td>5787082-7</td> </td></td></td></td></td></td>	54.23 <td>60.35 <td>63.88 <td>46.13 <td>57.91 <td>68 <td>5787082-7</td> </td></td></td></td></td>	60.35 <td>63.88 <td>46.13 <td>57.91 <td>68 <td>5787082-7</td> </td></td></td></td>	63.88 <td>46.13 <td>57.91 <td>68 <td>5787082-7</td> </td></td></td>	46.13 <td>57.91 <td>68 <td>5787082-7</td> </td></td>	57.91 <td>68 <td>5787082-7</td> </td>	68 <td>5787082-7</td>	5787082-7
	TUBE <td>S <td>46.48 <td>1.27 <td>42.80 <td>48.92 <td>52.45 <td>34.70 <td>46.48 <td>50 <td>5787082-5</td> </td></td></td></td></td></td></td></td></td>	S <td>46.48 <td>1.27 <td>42.80 <td>48.92 <td>52.45 <td>34.70 <td>46.48 <td>50 <td>5787082-5</td> </td></td></td></td></td></td></td></td>	46.48 <td>1.27 <td>42.80 <td>48.92 <td>52.45 <td>34.70 <td>46.48 <td>50 <td>5787082-5</td> </td></td></td></td></td></td></td>	1.27 <td>42.80 <td>48.92 <td>52.45 <td>34.70 <td>46.48 <td>50 <td>5787082-5</td> </td></td></td></td></td></td>	42.80 <td>48.92 <td>52.45 <td>34.70 <td>46.48 <td>50 <td>5787082-5</td> </td></td></td></td></td>	48.92 <td>52.45 <td>34.70 <td>46.48 <td>50 <td>5787082-5</td> </td></td></td></td>	52.45 <td>34.70 <td>46.48 <td>50 <td>5787082-5</td> </td></td></td>	34.70 <td>46.48 <td>50 <td>5787082-5</td> </td></td>	46.48 <td>50 <td>5787082-5</td> </td>	50 <td>5787082-5</td>	5787082-5
	TUBE <td>T <td>32.51 <td>0.64 <td>28.83 <td>34.95 <td>38.48 <td>20.73 <td>32.51 <td>28 <td>5787082-3</td> </td></td></td></td></td></td></td></td></td>	T <td>32.51 <td>0.64 <td>28.83 <td>34.95 <td>38.48 <td>20.73 <td>32.51 <td>28 <td>5787082-3</td> </td></td></td></td></td></td></td></td>	32.51 <td>0.64 <td>28.83 <td>34.95 <td>38.48 <td>20.73 <td>32.51 <td>28 <td>5787082-3</td> </td></td></td></td></td></td></td>	0.64 <td>28.83 <td>34.95 <td>38.48 <td>20.73 <td>32.51 <td>28 <td>5787082-3</td> </td></td></td></td></td></td>	28.83 <td>34.95 <td>38.48 <td>20.73 <td>32.51 <td>28 <td>5787082-3</td> </td></td></td></td></td>	34.95 <td>38.48 <td>20.73 <td>32.51 <td>28 <td>5787082-3</td> </td></td></td></td>	38.48 <td>20.73 <td>32.51 <td>28 <td>5787082-3</td> </td></td></td>	20.73 <td>32.51 <td>28 <td>5787082-3</td> </td></td>	32.51 <td>28 <td>5787082-3</td> </td>	28 <td>5787082-3</td>	5787082-3
	TUBE <td>S <td>31.24 <td>1.27 <td>27.56 <td>33.68 <td>37.21 <td>19.48 <td>31.24 <td>26 <td>5787082-2</td> </td></td></td></td></td></td></td></td></td>	S <td>31.24 <td>1.27 <td>27.56 <td>33.68 <td>37.21 <td>19.48 <td>31.24 <td>26 <td>5787082-2</td> </td></td></td></td></td></td></td></td>	31.24 <td>1.27 <td>27.56 <td>33.68 <td>37.21 <td>19.48 <td>31.24 <td>26 <td>5787082-2</td> </td></td></td></td></td></td></td>	1.27 <td>27.56 <td>33.68 <td>37.21 <td>19.48 <td>31.24 <td>26 <td>5787082-2</td> </td></td></td></td></td></td>	27.56 <td>33.68 <td>37.21 <td>19.48 <td>31.24 <td>26 <td>5787082-2</td> </td></td></td></td></td>	33.68 <td>37.21 <td>19.48 <td>31.24 <td>26 <td>5787082-2</td> </td></td></td></td>	37.21 <td>19.48 <td>31.24 <td>26 <td>5787082-2</td> </td></td></td>	19.48 <td>31.24 <td>26 <td>5787082-2</td> </td></td>	31.24 <td>26 <td>5787082-2</td> </td>	26 <td>5787082-2</td>	5787082-2

CONTACTS: PHOSPHOR BRONZE.
 HOUSING & PIN SPACER: POLYESTER, UL 94V-0 RATED, THERMOPLASTIC, BLACK
 BRACKET: ZINC.
 SHELL: CARBON STEEL
 BOARDLOCKS: COPPER ALLOY.

CONTACTS: EITHER 0.76µm [.000030] MIN GOLD PLATE FOR A LENGTH OF 0.64 [.025] MAX, 0.13 [.005] MIN FROM MATING END OR GOLD FLASH OVER PALLADIUM NICKEL PLATE, 0.76µm [.000030] MIN TOTAL FOR A LENGTH OF 0.64 [.025] MAX, 0.13 [.005] MIN FROM MATING END, 3.81µm [.000150] MIN TIN ON OPPOSITE END FOR A LENGTH OF 2.72 [.107] MIN, ALL OVER 1.27µm [.000050] MIN NICKEL UNDERPLATE.
 SHELL: 5.08µm [.000200] MIN NICKEL OVER 1.27µm [.000050] MIN COPPER.
 BRACKET: 3.81µm [.000150] MIN NICKEL OVER 5.08µm [.000200] MIN COPPER.
 BOARDLOCKS: 5.08µm [.000200] MIN TIN OVER 1.27µm [.000050] MIN NICKEL.

**COPYRIGHT 2005
 TYCO ELECTRONICS CORP
 ALL RIGHTS RESERVED**

THIS DRAWING IS A CONTROLLED DOCUMENT.		DATE: 02-23-2005		BY: J. FERNANDEZ		CHECKED: J. SHELLEY		TYPED: J. WILMSELEY		REVISED: 108-1228	
DRAWING NO: 108-1228		REVISED FOR: 114-40029		TOLERANCE: AS SHOWN		UNIT: MILLIMETERS		ANGLE: RIGHT ANGLE		MATERIAL: 050 SERIES AMPLIMITE	
PART: 5787082-5		CUSTOMER DRAWING: A100779		REVISED FOR: C=5787082		PAGE: 4.1		OF: 1		REV: B	