



**AS85049/78**  
**EMI/RFI Environmental Backshell**

Glenair Connector  
Designator H

MIL-DTL-38999  
Series III & IV,  
EN3645

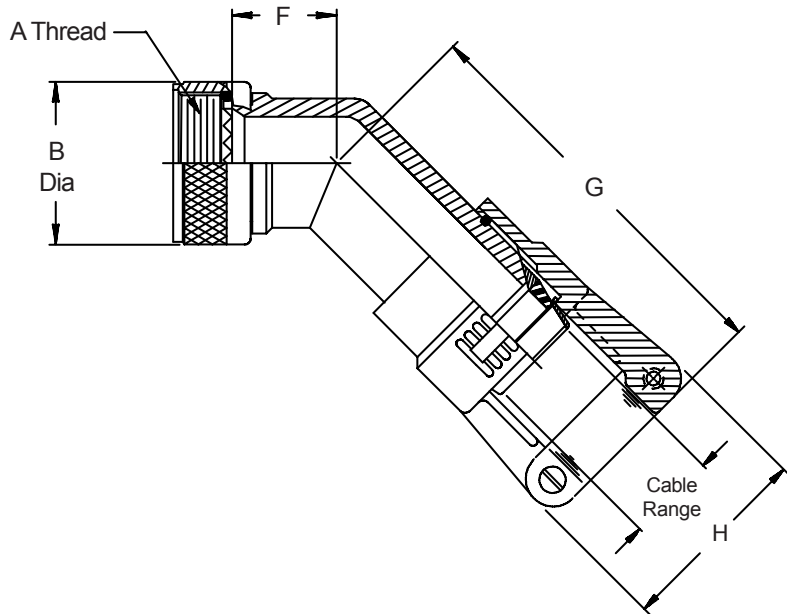
**M85049/78-11 W 01**

Basic Part No. \_\_\_\_\_ Clamp Size

Shell Size \_\_\_\_\_ Finish

N = Electroless Nickel  
W = 1,000 Hr. Cadmium Olive  
Drab Over Electroless Nickel

Shell Size	A Thread Class 2B	B Dia Max
9	M12 X 1 - 6H	.75 (19.1)
11	M15 X 1 - 6H	.85 (21.6)
13	M18 X 1 - 6H	1.00 (25.4)
15	M22 X 1 - 6H	1.15 (29.2)
17	M25 X 1 - 6H	1.25 (31.8)
19	M28 X 1 - 6H	1.40 (35.6)
21	M31 X 1 - 6H	1.55 (39.4)
23	M34 X 1 - 6H	1.65 (41.9)
25	M37 X 1 - 6H	1.85 (47.0)



Shell Size	Clamp Size		F		G	
	Min	Max	±.062 (1.6)	(1.6)	±.062 (1.6)	(1.6)
09	01	02	.398	(10.1)	3.088	(78.4)
11	01	03	.458	(11.6)	3.148	(80.0)
13	02	04	.518	(13.2)	3.208	(81.5)
15	02	05	.588	(14.9)	3.298	(83.8)
17	02	06	.678	(17.2)	3.408	(86.6)
19	03	07	.868	(22.0)	3.598	(91.4)
21	03	08	.868	(22.0)	3.598	(91.4)
23	03	09	.958	(24.3)	3.748	(95.2)
25	04	10	.958	(24.3)	3.748	(95.2)

Clamp Size	Cable Range		H Max			
	Min	Max	(Min)	(Max)		
01	.062	(1.6)	.125	(3.2)	.80	(20.3)
02	.125	(3.2)	.250	(6.4)	1.00	(25.4)
03	.250	(6.4)	.375	(9.5)	1.10	(27.9)
04	.375	(9.5)	.500	(12.7)	1.20	(30.5)
05	.500	(12.7)	.625	(15.9)	1.25	(31.8)
06	.625	(15.9)	.750	(19.1)	1.40	(35.6)
07	.750	(19.1)	.875	(22.2)	1.50	(38.1)
08	.875	(22.2)	1.000	(25.4)	1.65	(41.9)
09	1.000	(25.4)	1.125	(28.6)	1.75	(44.5)
10	1.125	(28.6)	1.250	(31.8)	1.90	(48.3)

1. For complete dimensions see applicable Military Specification.
2. Metric dimensions (mm) are indicated in parentheses.
3. Cable range is defined as the accommodation range for the wire bundle or cable. Dimensions shown are not intended for inspection criteria.