



Heyco®-Tite Liquid Tight Cordgrips Straight-Thru, NPT Hubs

For Flexible Cords. For use in clearance or threaded holes.

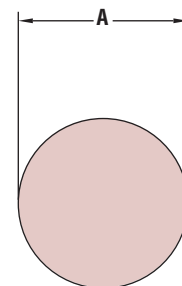
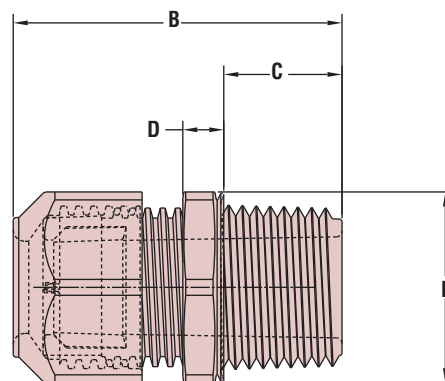
The Ultimate in Liquid Tight Strain Relief Protection

- Multiple sizes for cable diameters ranging from .065" (1,7 mm) to 1.730" (44,0 mm).
- We recommend using the fitting with the smallest maximum diameter that will fit your application.
- Ratchet design of sealing nut assembly provides superior anti-vibration protection and ensures a firm grip on the cable.
- Integral Sealing Ring ensures a Superior seal at mounting location every time.
- Acme threads on body prevent skipping and speed installation.
- All nylon construction with Buna N Sealing Gland resists salt water, weak acids, gasoline, alcohol, oil, grease, and common solvents. This feature is not assessed by UL.
- Suitable for NEMA 6P enclosures.
- **Locknuts not included.** For nylon locknut specifications or to order locknuts separately, see page 2-21.
- Consult Heyco for cordgrips molded in other colors.

CABLE DIA. RANGE				PART NO.		DESCRIPTION	PART DIMENSIONS									
Min. Dia.		Max. Dia.		Black	Gray		A Clearance Hole		B Max. O.A. Length		C Thread Length		D Wrenching Nut Thk.		E Wrenching Flats	
in.	mm.	in.	mm.				in.	mm.	in.	mm.	in.	mm.	in.	mm.	in.	mm.
.065	1,7	.210	5,6	M4514	M4515	* RLTCG 1/4										
.115	2,9	.250	6,4	M4516	M4517	* LTCG 1/4	.540	13,7	1.29	32,8	.45	11,4	.21	5,3	.63	16,0
.065	1,7	.230	4,7	M3458	M3459	* RLTCG 3/8										
.105	2,7	.315	7,9	M3228	M3229	* LTCG 3/8	.680	17,3	1.41	35,8	.49	12,4	.21	5,3	.83	21,1
.095	2,4	.290	7,4	M4518	M4519	RLTCG 1/2										
.170	4,3	.450	11,4	M3231	M3232	LTCG 1/2	.875	22,2	1.70	43,2	.61	15,5	.21	5,3	.98	24,9
.180	4,6	.440	11,2	M4520	M4521	RLTCG LL 1/2										
.260	5,8	.546	13,5	M3200	M3201	LTCG LL 1/2	.875	22,2	1.85	47,0	.61	15,5	.25	6,4	1.06	26,9
.256	6,5	.490	12,4	M3460	M3461	RLTCG 3/4										
.435	11,0	.705	17,9	M3234	M3235	LTCG 3/4	1.040	26,4	2.00	50,8	.62	15,7	.25	6,4	1.30	33,0
.490	12,4	.785	20,0	M8439	M8440	RLTCG 1										
.590	15,0	1.000	25,4	M8437	M8438	LTCG 1	1.326	33,7	2.41	61,2	.76	19,3	.30	7,6	1.73	43,9
.787	20,0	1.020	25,9	M4522	M4523	RLTCG 1-1/4										
.875	22,2	1.260	32,0	M4524	M4525	LTCG 1-1/4	1.680	42,7	2.69	68,3	.78	19,8	.30	7,6	2.05	52,1
1.000	25,4	1.240	31,5	M3319	M3320	RLTCG 1-1/2										
1.230	31,2	1.560	39,6	M3317	M3318	LTCG 1-1/2	1.920	48,8	2.81	71,3	.76	19,3	.36	9,1	2.48	63,0
1.160	29,5	1.350	34,3	M3323	M3324	RLTCG 2										
1.450	36,8	1.560	39,6	M3321	M3322	LTCG 2	2.400	60,8	2.93	74,3	.79	20,1	.42	10,7	2.75	69,9

Standard colors black and gray.

* Recognized under Underwriters' Laboratories.



SUGGESTED CLEARANCE HOLE FOR NON-THREADED MOUNTING

Quick Specs

Material	6/6 Nylon w/Buna N Sealing Gland
Certifications	Listed under Underwriters' Laboratories File E51579 Certified By Canadian Standard Association File LR93876C
Flammability Rating	94V-2—Consult factory for V0 material
Temperature Rating	Static -40°F (-40°C) to 239°F (115°C) Dynamic -4°F (-20°C) to 212°F (100°C)
IP Rating	IP 68 (70 PSI, 5 BAR)