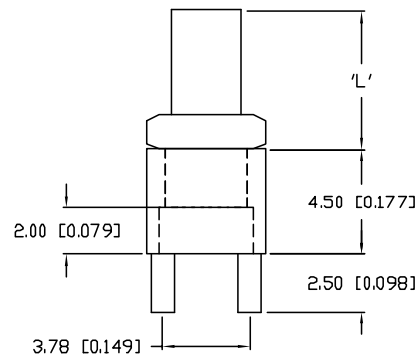
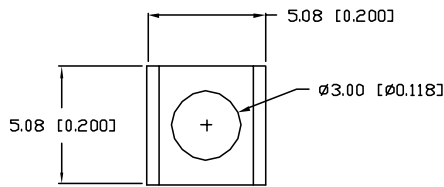


UNCONTROLLED DOCUMENT

PART NUMBER
LPA-C011301S-X

REV.
A

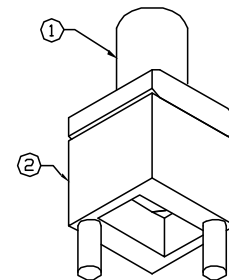
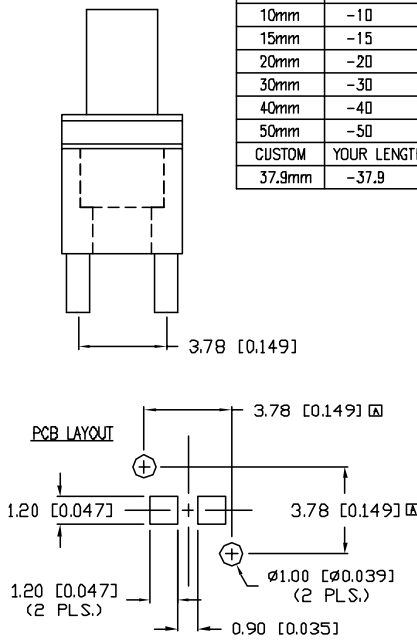
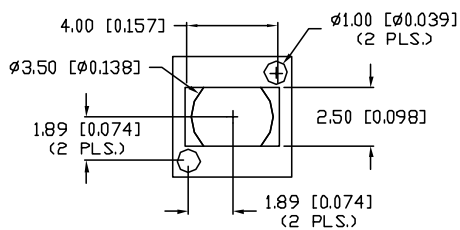
REV.	E.C.N. NUMBER AND REVISION COMMENTS	DATE
A	E.C.N. #10924.	11.4.02



DIM 'L'	SUFFIX: -X
2mm	-2
4mm	-4
10mm	-10
15mm	-15
20mm	-20
30mm	-30
40mm	-40
50mm	-50
CUSTOM	YOUR LENGTH
37.9mm	-37.9

NOTES:

1. MATERIAL: CLEAR POLYCARBONATE UL94V-0. (LIGHT PIPE)
2. MATERIAL: BLACK NORYL, UL94V-0. (HOLDER)
3. TEMP. RANGE: -60°C TO +125°C.
4. RECOMMENDED LED: SML-LX0805xx SERIES.



REPLACES PART #: LLP-LXC010301S-X

*UNLESS OTHERWISE SPECIFIED TOLERANCES PER DECIMAL PRECISION ARE: X=±1 (±0.039), XX=±0.5 (±0.020), XXX=±0.25 (±0.010), XXXX=±0.127 (±0.005). LEAD SIZE=±0.05 (±0.002), LEAD LENGTH=±0.75 (±0.030). MIN.=^{+DECIMAL PRECISION}_{-0.00} MAX.=^{+0.00}_{-DECIMAL PRECISION}

UNCONTROLLED DOCUMENT

REV. A	PART NUMBER LPA-C011301S-X	<p>CONFIDENTIAL INFORMATION</p> <p>THE INFORMATION CONTAINED IN THIS DOCUMENT IS THE PROPERTY OF LUMEX INC. EXCEPT AS SPECIFICALLY AUTHORIZED IN WRITING BY LUMEX INC., THE HOLDER OF THIS DOCUMENT SHALL KEEP ALL INFORMATION CONTAINED HEREIN CONFIDENTIAL AND SHALL PROTECT SAME IN WHOLE OR IN PART FROM DISCLOSURE AND DISSEMINATION TO ALL THIRD PARTIES.</p> <p>RELIABILITY NOTE</p> <p>OUR MANY YEARS OF EXPERIENCE DATA ACCUMULATION INDICATE THAT SOLDER HEAT IS A MAJOR CAUSE OF EARLY AND FUTURE FAILURE. PLEASE PAY ATTENTION TO YOUR SOLDERING PROCESS.</p>	<p>290 E. HELEN ROAD PALATINE, IL 60067-6976 PHONE: +1.847.359.2790 US WEB: www.lumex.com TW WEB: www.lumex.com.tw</p>	<p>DRAWN BY: GB</p> <p>CHECKED BY:</p> <p>APPROVED BY:</p> <p>DATE: 6.20.02 PAGE: 1 OF 1 SCALE: N/A</p>
-----------	-------------------------------	---	--	---

3mm SINGLE UNIT, SMT,
VERTICAL LIGHT PIPE.