

## LM27952

# White LED Adaptive 1.5X/1X Switched Capacitor Current Driver

### General Description

The LM27952 is a switched capacitor white-LED driver capable of driving up to 4 LEDs with 30mA through each LED. Its 4 tightly regulated current sinks ensure excellent LED current and brightness matching. LED drive current is programmed by an external sense resistor. The LM27952 operates over an input voltage range from 3.0V to 5.5V and requires only four low-cost ceramic capacitors.

The LM27952 provides excellent efficiency without the use of an inductor by operating the charge pump in a gain of 3/2, or in a gain of 1. Maximum efficiency is achieved over the input voltage range by actively selecting the proper gain based on the LED forward voltage requirements.

The LM27952 uses constant frequency pre-regulation to minimize conducted noise on the input. It has a fixed 750kHz switching frequency optimized for portable applications. The LM27952 consumes less than 1µA of supply current when shut down.

The LM27952 is available in a 14-pin No-Pullback Leadless Leadframe Package: LLP-14.

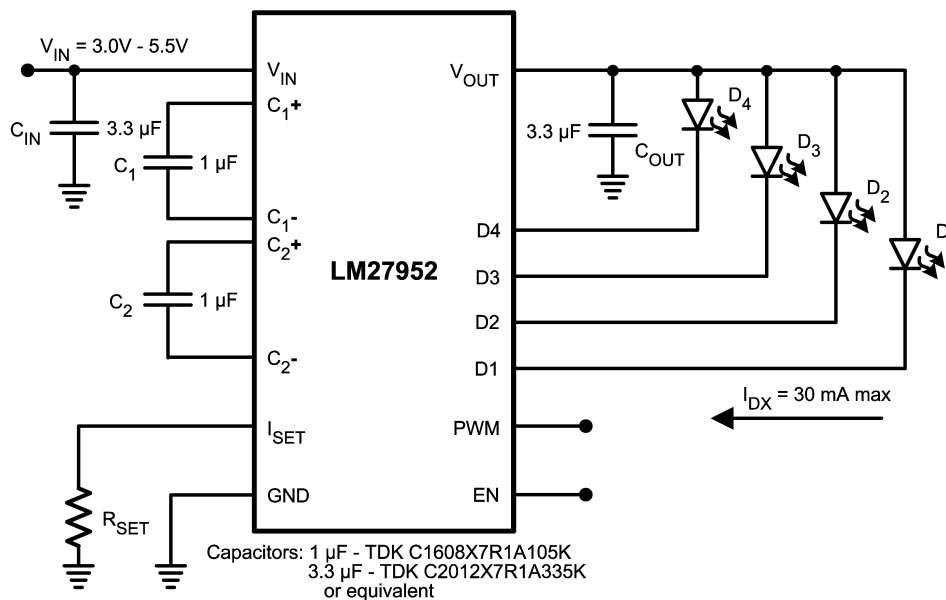
### Features

- Drives up to 4 LEDs with up to 30mA each
- Regulated current sources with 0.2%(typ.) matching
- 3/2x, 1x Gain transition based on LED  $V_F$
- Peak Efficiency Over 85%
- Input Voltage Range: 3.0V to 5.5V
- PWM Brightness Control
- Very Small Solution Size - NO INDUCTOR
- Fixed 750kHz Switching Frequency
- <1µA Shutdown Current
- 14-pin LLP Package: 4.0mm X 3.0mm X 0.8mm

### Applications

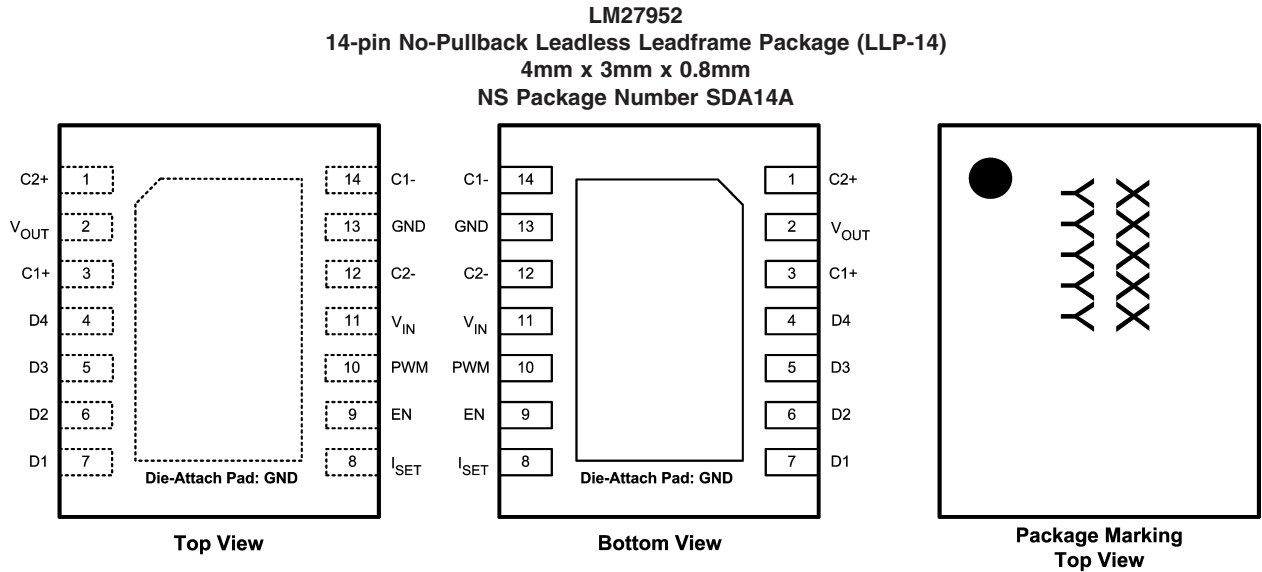
- White LED Display Backlights
- White LED Keypad Backlights
- General Purpose LED Lighting

### Typical Application Circuit



20148001

## Connection Diagram



**Note:** The actual physical placement of the package marking will vary from part to part. The package marking placeholder "XXXXX" is a code for die traceability. "YYYYY" identifies the device (part number, voltage option, etc.). See the Order Information table below for the device ID codes.

20148002

## Pin Description

| Pin | Name             | Description   |
|-----|------------------|---|
| 1   | C2+              | Flying Capacitor C2 Connection  |
| 2   | V <sub>OUT</sub> | Pre-Regulated Charge Pump Output  |
| 3   | C1+              | Flying Capacitor C1 Connection  |
| 4   | D4               | Regulated Current Sink Input.   |
| 5   | D3               | Regulated Current Sink Input.   |
| 6   | D2               | Regulated Current Sink Input.   |
| 7   | D1               | Regulated Current Sink Input.   |
| 8   | I <sub>SET</sub> | Current Set Input. Placing a resistor (R <sub>SET</sub> ) between this pin and GND sets the LED current for all the LEDs. LED Current = 200 x (1.25V ÷ R <sub>SET</sub> ).  |
| 9   | EN               | Enable Logic Input Pin. Logic Low = Shut Down, Logic High = Enabled. There is a 150kΩ (typ.) resistor connected internally between the EN pin and GND.  |
| 10  | PWM              | Current Sink Modulation Logic Input Pin. Logic Low = Off, Logic High = On. Applying a Pulse Width Modulated (PWM) signal to this pin allows the regulated current sinks to be modulated without shutting down the internal Charge Pump and the V <sub>OUT</sub> node. |
| 11  | V <sub>IN</sub>  | Input Supply Range: 3.0V to 5.5V.   |
| 12  | C2-              | Flying Capacitor C2 Connection.   |
| 13  | GND              | Power Supply Ground Connection.   |
| 14  | C1-              | Flying Capacitor C1 Connection.   |

## Ordering Information

| Order Number | Package Description | Package Marking | Supplied as Tape and Reel (Units) |
|--------------|---------------------|-----------------|-----------------------------------|
| LM27952SD    | No-Pullback         | XXXXX           | 1000                              |
| LM27952SDX   | LLP-14              | YYYYY = D005B   | 4500                              |

**Absolute Maximum Ratings** (Notes 1, 2)

If Military/Aerospace specified devices are required, please contact the National Semiconductor Sales Office/Distributors for availability and specifications.

|   |   |
|---|---|
| $V_{IN}$                                    | -0.3V to 6.0V                               |
| EN, PWM                                     | -0.3V to ( $V_{IN} + 0.3V$ )<br>w/ 6.0V max |
| Continuous Power Dissipation<br>(Note 3)    | Internally Limited                          |
| Junction Temperature<br>( $T_{J-MAX-ABS}$ ) | 150°C                                       |
| Storage Temperature Range                   | -65°C to 150°C                              |
| Lead Temp. (Soldering, 5 sec.)              | 260°C                                       |
| ESD Rating (Note 4)                         |   |
| Human Body Model                            | 2kV   |

**Operating Ratings** (Notes 2, 7)

|   |                 |
|---|-----------------|
| Input Voltage $V_{IN}$                          | 3.0V to 5.5V    |
| LED Voltage Range                               | 2.5V to 3.9V    |
| Junction Temperature Range ( $T_J$ )            | -40°C to +115°C |
| Ambient Temperature Range ( $T_A$ )<br>(Note 5) | -40°C to +85 °C |

**Thermal Information**

|  |        |
|--|--------|
| Junction-to-Ambient Thermal Resistance,<br>LLP-14 Package ( $\theta_{JA}$ ) (Note 6) | 45°C/W |
|--|--------|

**Electrical Characteristics** (Notes 2, 7)

Limits in standard typeface are for  $T_A = 25^\circ\text{C}$ , and limits in **boldface** type apply over the full operating junction temperature range (-40°C to +85 °C). Unless otherwise noted, specifications apply to the LM27952 Typical Application Circuit (pg.1) with  $V_{IN} = 3.6V$ ,  $V(EN) = 1.8V$ ,  $V(PWM) = 1.8V$ , 4 LEDs,  $V_{DX} = 0.45V$ ,  $C_{IN} = C_{OUT} = 3.3\mu\text{F}$ ,  $C_1 = C_2 = 1\mu\text{F}$ ,  $R_{SET} = 12.5k\Omega$  (Note 8)

| Symbol             | Parameter  | Conditions  | Min                         | Typ  | Max                         | Units         |
|--------------------|--|---|-----------------------------|------|-----------------------------|---------------|
| $I_{DX}$           | LED Current Regulation                                 | $3.0V \leq V_{IN} \leq 5.5V$<br>$R_{SET} = 12.5k\Omega$<br>$I_{VOUT} = 0mA$                         | 19.32<br><b>(-8%)</b>       | 21   | 22.68<br><b>(+8%)</b>       | mA            |
|                    |  | $3.0V \leq V_{IN} \leq 5.5V$<br>$R_{SET} = 8.32k\Omega$<br>$I_{VOUT} = 0mA$                         |                             | 31   |                             |               |
|                    |  | $3.0V \leq V_{IN} \leq 5.5V$<br>$R_{SET} = 24.9k\Omega$<br>$I_{VOUT} = 0mA$                         |                             | 11   |                             |               |
| $I_{D-MATCH}$      | LED Current Matching<br>(Note 9)                       | $R_{SET} = 8.32k\Omega$   |                             | 0.2  | <b>1</b>                    | %             |
| $I_Q$              | Quiescent Supply Current                               | $D_{(1-4)} = \text{OPEN}$<br>$R_{SET} = \text{OPEN}$  |                             | 1.3  | <b>1.7</b>                  | mA            |
| $I_{SD}$           | Shutdown Supply Current                                | $3.0V \leq V_{IN} \leq 5.5V$<br>$V(EN) = 0V$  |                             | 0.1  | <b>1</b>                    | $\mu\text{A}$ |
| $V_{SET}$          | $I_{SET}$ Pin Voltage                                  | $3.0V \leq V_{IN} \leq 5.5V$  |                             | 1.25 |                             | V             |
| $I_{DX} / I_{SET}$ | Output Current to Current Set Ratio                    |   |                             | 200  |                             |               |
| $V_{HR}$           | Current Sink Voltage Headroom Requirement<br>(Note 10) | $I_{DX} = 95\% I_{DX} (\text{nom.})$<br>$R_{SET} = 8.32k\Omega$<br>( $I_{DX} \text{ nom.} = 31mA$ ) |                             | 360  |                             | mV            |
|                    |  | $I_{DX} = 95\% I_{DX} (\text{nom.})$<br>$R_{SET} = 12.5k\Omega$<br>( $I_{DX} \text{ nom.} = 21mA$ ) |                             | 240  |                             |               |
| $f_{SW}$           | Switching Frequency                                    |   | <b>525</b><br><b>(-30%)</b> | 750  | <b>975</b><br><b>(+30%)</b> | kHz           |
| $V_{IH}$           | Logic Input High                                       | Input Pins: EN, PWM<br>$3.0V \leq V_{IN} \leq 5.5V$   | <b>1.0</b>                  |      | <b><math>V_{IN}</math></b>  | V             |
| $V_{IL}$           | Logic Input Low  | Input Pins: EN, PWM<br>$3.0V \leq V_{IN} \leq 5.5V$   | <b>0</b>                    |      | <b>0.4</b>                  |               |

## Electrical Characteristics (Notes 2, 7) (Continued)

Limits in standard typeface are for  $T_A = 25^\circ\text{C}$ , and limits in **boldface** type apply over the full operating junction temperature range ( $-40^\circ\text{C}$  to  $+85^\circ\text{C}$ ). Unless otherwise noted, specifications apply to the LM27952 Typical Application Circuit (pg.1) with  $V_{IN} = 3.6\text{V}$ ,  $V(EN) = 1.8\text{V}$ ,  $V(\text{PWM}) = 1.8\text{V}$ , 4 LEDs,  $V_{DX} = 0.45\text{V}$ ,  $C_{IN} = C_{OUT} = 3.3\mu\text{F}$ ,  $C_1 = C_2 = 1\mu\text{F}$ ,  $R_{SET} = 12.5\text{k}\Omega$  (Note 8)

| Symbol    | Parameter  | Conditions   | Min | Typ | Max | Units         |
|-----------|--|--|-----|-----|-----|---------------|
| $I_{IH}$  | Logic Input High Current                                 | Input Pin: PWM<br>$V(\text{PWM}) = 1.8\text{V}$        |     | 10  |     | nA            |
|           |  | Input Pin: EN<br>$V(EN) = 1.8\text{V}$ (Note 11)       |     | 12  |     | $\mu\text{A}$ |
| $I_{IL}$  | Logic Input Low Current                                  | Input Pins: EN, PWM<br>$V(EN, \text{PWM}) = 0\text{V}$ |     | 10  |     | nA            |
| $R_{OUT}$ | Charge Pump Output Resistance (Note 12)                  |  |     | 3.3 |     | $\Omega$      |
| $V_{GDX}$ | 1x to 3/2x Gain Transition Voltage Threshold on $V_{DX}$ | $V_{DX}$ Falling                                       |     | 450 |     | mV            |
| $t_{ON}$  | Startup Time   | $I_{DX} = 90\%$ steady state                           |     | 330 |     | $\mu\text{s}$ |

**Note 1:** Absolute Maximum Ratings indicate limits beyond which damage to the component may occur. Operating Ratings are conditions under which operation of the device is guaranteed. Operating Ratings do not imply guaranteed performance limits. For guaranteed performance limits and associated test conditions, see the Electrical Characteristics tables.

**Note 2:** All voltages are with respect to the potential at the GND pin.

**Note 3:** Internal thermal shutdown circuitry protects the device from permanent damage. Thermal shutdown engages at  $T_J = 150^\circ\text{C}$  (typ.) and disengages at  $T_J = 140^\circ\text{C}$  (typ.).

**Note 4:** The Human-body model is a 100 pF capacitor discharged through a 1.5k $\Omega$  resistor into each pin.

**Note 5:** In applications where high power dissipation and/or poor package thermal resistance is present, the maximum ambient temperature may have to be derated. Maximum ambient temperature ( $T_{A-MAX}$ ) is dependent on the maximum operation junction temperature ( $T_{J-MAX-OP} = 115^\circ\text{C}$ ), the maximum power dissipation of the device in the application ( $P_{D-MAX}$ ), and the junction-to ambient thermal resistance of the part/package in the application ( $\theta_{JA}$ ), as given by the following equation:  $T_{A-MAX} = T_{J-MAX-OP} - (\theta_{JA} \times P_{D-MAX})$ .

**Note 6:** Junction-to-ambient thermal resistance ( $\theta_{JA}$ ) is taken from a thermal modeling result, performed under the conditions and guidelines set forth in the JEDEC standard JESD51-7. The test board is a 4 layer FR-4 board measuring 102mm x 76mm x 1.6mm with a 2 x 1 array of thermal vias. The ground plane on the board is 50mm x 50mm. Thickness of copper layers are 36 $\mu\text{m}/18\mu\text{m}/18\mu\text{m}/36\mu\text{m}$  (1.5oz/1oz/1oz/1.5oz). Ambient temperature in simulation is 22 $^\circ\text{C}$ , still air. Power dissipation is 1W.

The value of  $\theta_{JA}$  of the LM27952 in LLP-14 could fall in a range as wide as 45 $^\circ\text{C}/\text{W}$  to 150 $^\circ\text{C}/\text{W}$  (if not wider), depending on PWB material, layout, and environmental conditions. In applications where high maximum power dissipation exists (high  $V_{IN}$ , high  $I_{OUT}$ ), special care must be paid to thermal dissipation issues. For more information on these topics, please refer to **Application Note 1187: Leadless Leadframe Package (LLP)** and the **Power Efficiency and Power Dissipation** section of this datasheet.

**Note 7:** Min and Max limits are guaranteed by design, test, or statistical analysis. Typical numbers are not guaranteed, but do represent the most likely norm.

**Note 8:**  $C_{IN}$ ,  $C_{OUT}$ ,  $C_1$ ,  $C_2$ : Low-ESR Surface-Mount Ceramic Capacitors (MLCCs) used in setting electrical characteristics

**Note 9:** LED Current Matching is based on two calculations:  $[(I_{MAX} - I_{AVG}) \div I_{AVG}]$  and  $[(I_{AVG} - I_{MIN}) \div I_{AVG}]$ .  $I_{MAX}$  and  $I_{MIN}$  are the highest and lowest respective Dx currents, and  $I_{AVG}$  is the average Dx current of all four current sinks. The largest number of the two calculations (worst case) is considered the matching figure for the part. The typical specification provided is the most likely norm of the matching figure for all parts.

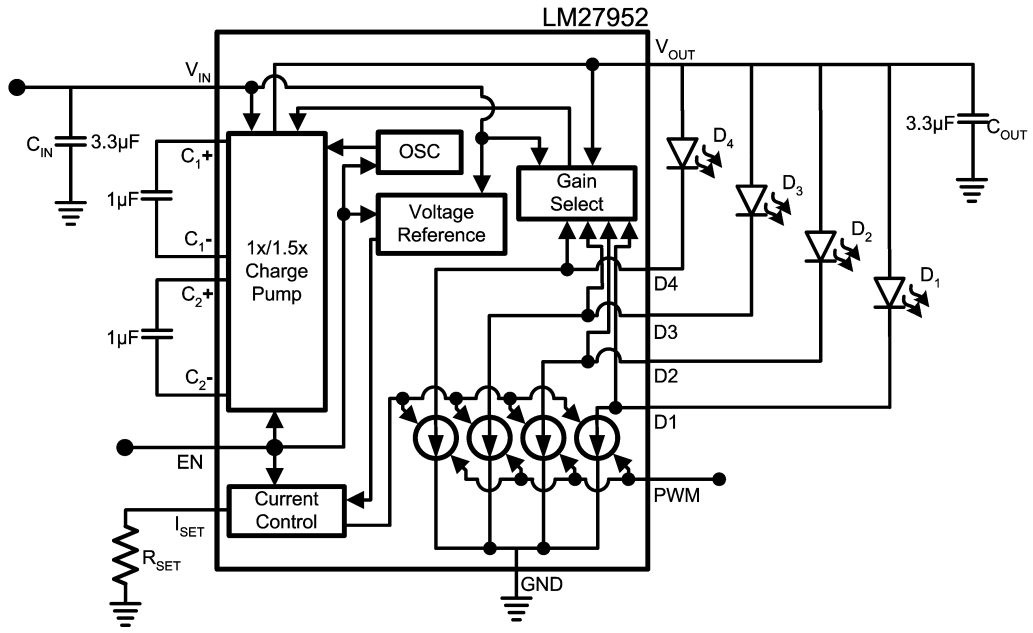
**Note 10:** Headroom Voltage =  $V_{DX}$  to GND. If headroom voltage requirement is not met, LED current regulation will be compromised.

**Note 11:** EN Logic Input High Current ( $I_{IH}$ ) is due to a 150k $\Omega$  (typ.) pull-down resistor connected internally between the EN and GND pins.

**Note 12:** The open loop output resistance ( $R_{OUT}$ ) models all voltage losses in the charge pump.  $R_{OUT}$  can be used to estimate the voltage at the charge pump output  $V_{OUT}$  and the maximum current capability of the device under low  $V_{IN}$  and high  $I_{OUT}$  conditions, beyond what is specified in the electrical specifications table:  $V_{OUT} = (G \times V_{IN}) - (R_{OUT} \times I_{OUT})$ . In the equation, G is the charge pump gain mode, and  $I_{OUT}$  is the total output current (sum of all active Dx current sinks and all current drawn from  $V_{OUT}$ ).

**Note 13:** Turn-on time is measured from when the EN signal is pulled high until the output voltage on  $V_{OUT}$  crosses 90% of its final value.

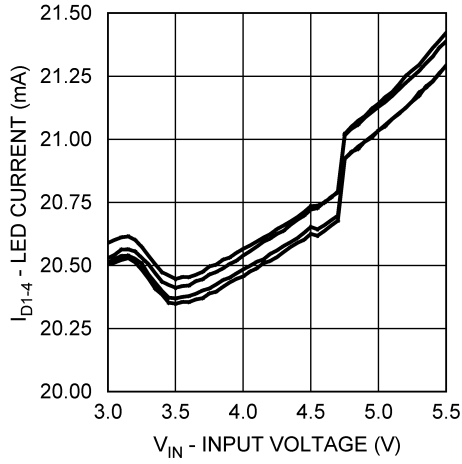
# Block Diagram



20148003

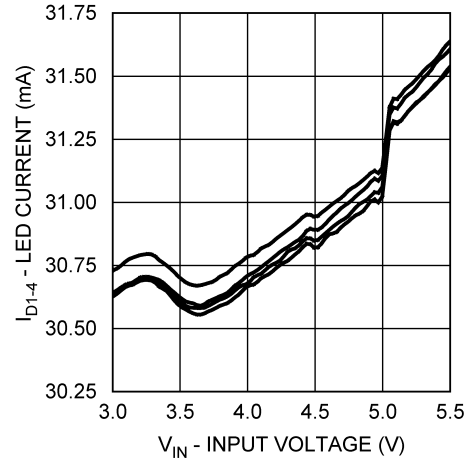
**Typical Performance Characteristics** Unless otherwise specified:  $T_A = 25^\circ\text{C}$ , 4 LEDs,  $V_{DX} = 0.45\text{V}$ ,  $V_{IN} = 3.6\text{V}$ ,  $V_{EN} = V_{IN}$ ,  $V_{PWM} = V_{IN}$ ,  $C_1 = C_2 = 1\mu\text{F}$ ,  $C_{IN} = C_{OUT} = 3.3\mu\text{F}$ . Capacitors are low-ESR multi-layer ceramic capacitors (MLCC's).

**LED Current Regulation vs. Input Voltage**



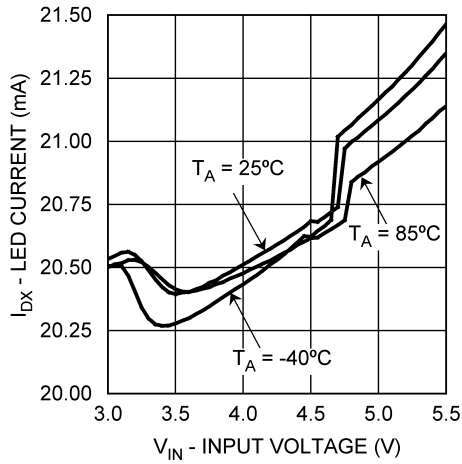
20148004

**LED Current Regulation vs. Input Voltage**



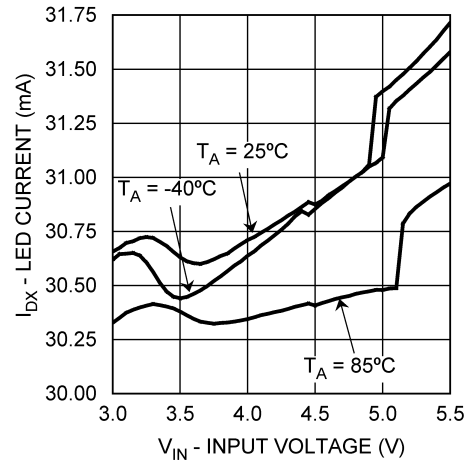
20148005

**Average LED Current Regulation vs. Input Voltage**



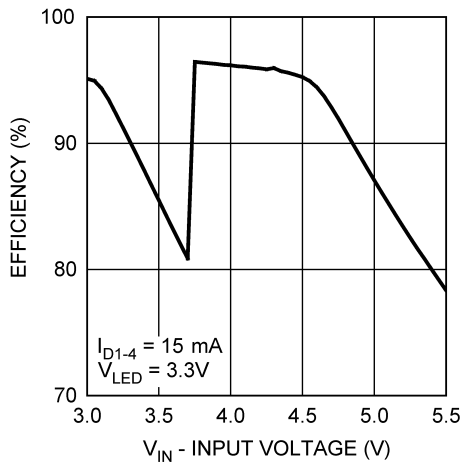
20148006

**Average LED Current Regulation vs. Input Voltage**



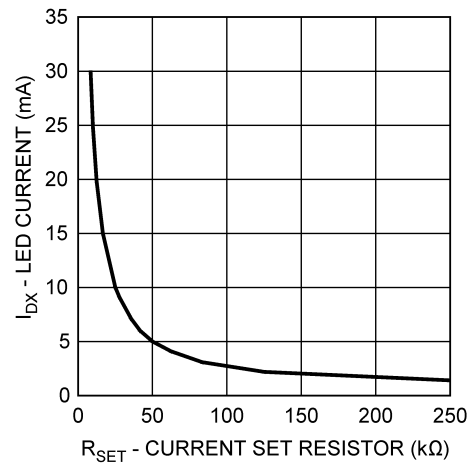
20148007

**Efficiency vs. Input Voltage**



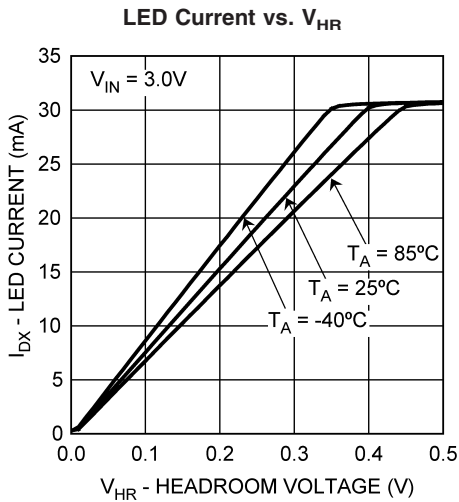
20148008

**LED Current vs.  $R_{SET}$**

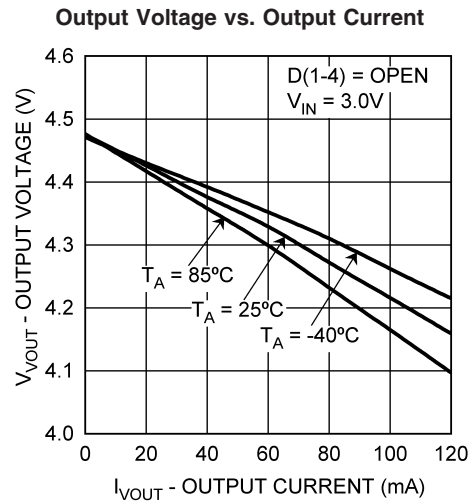


20148009

**Typical Performance Characteristics** Unless otherwise specified:  $T_A = 25^\circ\text{C}$ , 4 LEDs,  $V_{DX} = 0.45\text{V}$ ,  $V_{IN} = 3.6\text{V}$ ,  $V_{EN} = V_{IN}$ ,  $V_{PWM} = V_{IN}$ ,  $C_1 = C_2 = 1\mu\text{F}$ ,  $C_{IN} = C_{OUT} = 3.3\mu\text{F}$ . Capacitors are low-ESR multi-layer ceramic capacitors (MLCC's). (Continued)

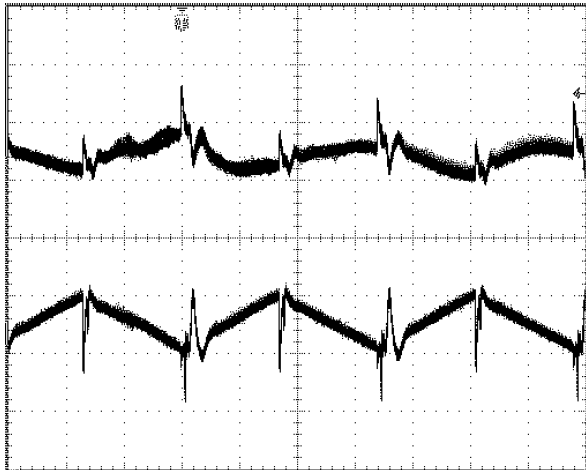


20148010



20148011

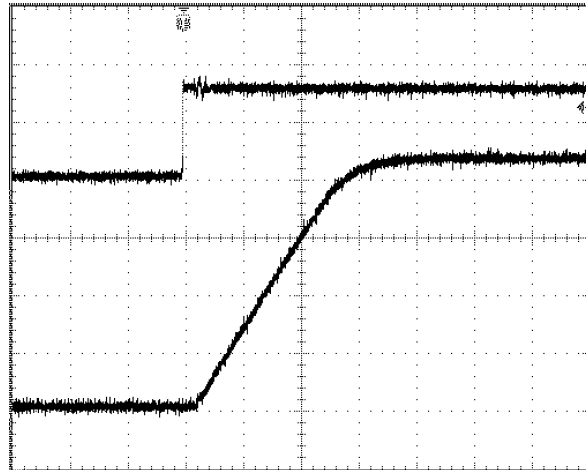
**Input and Output Voltage Ripple**



20148012

$V_{IN} = 3.6\text{V}$ , Load = 15mA/LED, 4 LEDs  
 CH1 (TOP):  $V_{IN}$ ; Scale: 20mV/Div, AC Coupled  
 CH2 (BOTTOM):  $V_{OUT}$ ; Scale: 20mV/Div, AC Coupled  
 Time scale: 400ns/Div

**Startup Response**



20148013

$V_{IN} = 3.6\text{V}$ , Load = 20mA/LED, 4 LEDs  
 CH1 (TOP):  $V_{EN}$ ; Scale: 1V/Div  
 CH2 (BOTTOM):  $V_{OUT}$ ; Scale: 1V/Div  
 Time scale: 100 $\mu\text{s}$ /Div

## Application Information

### CIRCUIT DESCRIPTION

The LM27952 is an adaptive 1.5x/1x CMOS charge pump, optimized for driving white LEDs used in backlighting small-format displays. It provides four constant current inputs capable of sinking up to 30mA through each LED. The well-matched current sinks ensure the current through all the LEDs are virtually identical, providing a uniform brightness across the entire display.

Each LED is driven from  $V_{OUT}$  and connected to one of the four current sinks. LED drive current is programmed by connecting a resistor,  $R_{SET}$ , to the current set pin,  $I_{SET}$ . LED brightness is adjusted by applying a Pulse Width Modulated (PWM) signal to the dedicated PWM input pin.

### CHARGE PUMP

The input to the 1.5x/1x charge pump is connected to the  $V_{IN}$  pin, and the loosely regulated output of the charge pump is connected to the  $V_{OUT}$  pin. The recommended input voltage range of the LM27952 is 3.0V to 5.5V. The device's loosely-regulated charge pump has both open loop and closed loop modes of operation. When the device is in open loop, the voltage at  $V_{OUT}$  is equal to the gain times the voltage at the input. When the device is in closed loop, the voltage at  $V_{OUT}$  is loosely regulated to 4.5V (typ.). The charge pump gain transitions are actively selected to maintain regulation based on LED forward voltage and load requirements. This allows the charge pump to stay in the most efficient gain (1x) over as much of the input voltage range as possible, reducing the power consumed from the battery.

### SOFT START

The LM27952 contains internal soft-start circuitry to limit input inrush currents when the part is enabled. Soft start is implemented internally with a controlled turn-on of the internal voltage reference. Due to the soft-start circuitry, startup time of the LM27952 is approximately 330 $\mu$ s (typ.).

### ENABLE AND PWM PINS

The LM27952 has 2 logic control pins. Both pins are active-high logic (HIGH = ON). There is an internal pull-down resistor (150k $\Omega$  typ.) connected between the enable pin (EN) and GND. There is no pull-up or pull-down connected to the Pulse Width Modulated (PWM) pin.

The EN pin is the master enable pin for the part. When the voltage on this pin is low (<0.4V), the part is in shutdown mode. In this mode, all internal circuitry is OFF and the part consumes very little supply current (<1 $\mu$ A typ.). When the voltage on the EN pin is high (>1.0V), the part will activate the charge pump and regulate the output voltage to its nominal value.

The PWM pin serves as a dedicated logic input for LED brightness control. When the voltage on this pin is low (<0.4V), the current sinks will be turned off and no current will flow through the LEDs. When the voltage on this pin is high (>1.0V), the current sinks will turn on and regulate to the current level set by the resistor connected to the  $I_{SET}$  pin.

### SETTING LED CURRENTS

The current through the four LEDs connected to  $D_{1-4}$  can be set to a desired level simply by connecting an appropriately sized resistor ( $R_{SET}$ ) between the  $I_{SET}$  pin of the LM27952 and GND. The LED currents are proportional to the current that flows out of the  $I_{SET}$  pin and are a factor of 200 times

greater than the  $I_{SET}$  current. The feedback loop of an internal amplifier sets the voltage of the  $I_{SET}$  pin to 1.25V (typ.). The statements above are simplified in the equations below:

$$I_{Dx} = 200 \times (V_{SET} / R_{SET})$$

$$R_{SET} = 200 \times (1.25V / I_{Dx})$$

### ADJUSTING LED BRIGHTNESS (PWM control)

Perceived LED brightness can be adjusted using a PWM control signal on the LM27952 PWM logic input pin, turning the current sources ON and OFF at a rate faster than perceptible by the eye. When this is done, the total brightness perceived is proportional to the duty cycle (D) of the PWM signal (D = the percentage of time that the LED is on in every PWM cycle). A simple example: if the LEDs are driven at 15mA each with a PWM signal that has a 50% duty cycle, perceived LED brightness will be about half as bright as compared to when the LEDs are driven continuously with 15mA.

The minimum recommended PWM frequency is 100Hz. Frequencies below this may be visibly noticeable as flicker or blinking. The maximum recommended PWM frequency is 1kHz. Frequencies above this may cause interference with internal current driver circuitry and/or noise in the audible range. Due to the regulation control loop, the maximum frequency and minimum duty cycle applied to the PWM pin should be chosen such that the minimum ON time is no less than 30 $\mu$ s in duration. If a PWM signal is applied to the EN pin instead, the maximum frequency and minimum duty cycle should be chosen to accommodate both the LM27952 startup time (330 $\mu$ s typ.) and the 30 $\mu$ s control loop delay.

The preferred method to adjust brightness is to keep the master EN voltage ON continuously and apply a PWM signal to the dedicated PWM input pin. The benefit of this type of connection can be best understood with a contrary example. When a PWM signal is connected to the master enable (EN) pin, the charge pump repeatedly turns on and off. Every time the charge pump turns on, there is an inrush of current as the capacitances, both internal and external, are recharged. This inrush current results in a current spike and a voltage dip at the input of the part. By only applying the PWM signal to PWM logic input pin, the charge pump continuously stays on, resulting in much lower input noise.

In cases where a PWM signal must be connected to the EN pin, measures can be taken to reduce the magnitude of the charge-pump turn-on transient response. More input capacitance, series resistors and/or ferrite beads may provide benefits. If the current spikes and voltage dips can be tolerated, connecting the PWM signal to the EN pin does provide a benefit of lower supply current consumption. When the PWM signal to the EN pin is low, the LM27952 will be shutdown and input current will only be a few micro-amps. This results in a lower time-averaged input current than the prior suggestion, where EN is kept on continuously.

### MAXIMUM OUTPUT CURRENT, MAXIMUM LED VOLTAGE, MINIMUM INPUT VOLTAGE

The LM27952 can drive 4 LEDs at 30mA each from an input voltage as low as 3.0V, so long as the LEDs have a forward voltage of 3.5V or less (room temperature).

The statement above is a simple example of the LED drive capabilities of the LM27952. The statement contains key application parameters required to validate an LED-drive design using the LM27952: LED current ( $I_{LED}$ ), number of active LEDs (N), LED forward voltage ( $V_{LED}$ ), and minimum input voltage ( $V_{IN-MIN}$ ).



## Application Information (Continued)

The equation below can be used to estimate the total output current capability of the LM27952:

$$I_{LED\_MAX} = ((1.5 \times V_{IN}) - V_{LED}) / ((N \times R_{OUT}) + k_{HR}) \quad (\text{eq. 1})$$

$$I_{LED\_MAX} = ((1.5 \times V_{IN}) - V_{LED}) / ((N \times 3.3\Omega) + 12\text{mV/mA})$$

**R<sub>OUT</sub>** – Output resistance. This parameter models the internal losses of the charge pump that result in voltage droop at the pump output  $V_{OUT}$ . Since the magnitude of the voltage droop is proportional to the total output current of the charge pump, the loss parameter is modeled as a resistance. The output resistance of the LM27952 is typically  $3.3\Omega$  ( $V_{IN} = 3.0\text{V}$ ,  $T_A = 25^\circ\text{C}$ ). In equation form:

$$V_{VOUT} = 1.5 \times V_{IN} - N \times I_{LED} \times R_{OUT} \quad (\text{eq. 2})$$

**k<sub>HR</sub>** – Headroom constant. This parameter models the minimum voltage required across the current sinks for proper regulation. This minimum voltage is proportional to the programmed LED current, so the constant has units of mV/mA. The typical  $k_{HR}$  of the LM27952 is 12mV/mA. In equation form:

$$(V_{VOUT} - V_{LED}) > k_{HR} \times I_{LED} \quad (\text{eq. 3})$$

The " $I_{LED\_MAX}$ " equation (eq. 1) is obtained from combining the  $R_{OUT}$  equation (eq. 2) with the  $k_{HR}$  equation (eq. 3) and solving for  $I_{LED}$ . Maximum LED current is highly dependent on minimum input voltage and LED forward voltage. Output current capability can be increased by raising the minimum input voltage of the application, or by selecting LEDs with a lower forward voltage. Excessive power dissipation may also limit output current capability of an application.

### CAPACITOR SELECTION

The LM27952 requires 4 external capacitors for proper operation. Surface-mount multi-layer ceramic capacitors are recommended. These capacitors are small, inexpensive and have very low equivalent series resistance (ESR  $<20\text{m}\Omega$  typ.). Tantalum capacitors, OS-CON capacitors, and aluminum electrolytic capacitors are not recommended for use with the LM27952 due to their high ESR, as compared to ceramic capacitors.

For most applications, ceramic capacitors with X7R or X5R temperature characteristic are preferred for use with the LM27952. These capacitors have tight capacitance tolerance (as good as  $\pm 10\%$ ) and hold their value over temperature (X7R:  $\pm 15\%$  over  $-55^\circ\text{C}$  to  $125^\circ\text{C}$ ; X5R:  $\pm 15\%$  over  $-55^\circ\text{C}$  to  $85^\circ\text{C}$ ).

Capacitors with Y5V or Z5U temperature characteristic are generally not recommended for use with the LM27952. Capacitors with these temperature characteristics typically have wide capacitance tolerance ( $+80\%$ ,  $-20\%$ ) and vary significantly over temperature (Y5V:  $+22\%$ ,  $-82\%$  over  $-30^\circ\text{C}$  to  $+85^\circ\text{C}$  range; Z5U:  $+22\%$ ,  $-56\%$  over  $+10^\circ\text{C}$  to  $+85^\circ\text{C}$  range). Under some conditions, a nominal  $1\mu\text{F}$  Y5V or Z5U capacitor could have a capacitance of only  $0.1\mu\text{F}$ . Such detrimental deviation is likely to cause Y5V and Z5U capacitors to fail to meet the minimum capacitance requirements of the LM27952.

The voltage rating of the output capacitor should be 10V or more. All other capacitors should have a voltage rating at or above the maximum input voltage of the application.

### PARALLEL DX OUTPUTS FOR INCREASED CURRENT DRIVE

Outputs  $D_{1-4}$  may be connected together to drive a one or two LEDs at higher currents. In such a configuration, all four parallel current sinks of equal value drive the single LED.

The LED current programmed should be chosen so that the current through each of the outputs is programmed to 25% of the total desired LED current. For example, if 60mA is the desired drive current for the single LED,  $R_{SET}$  should be selected such that the current through each of the current sink inputs is 15mA. Similarly, if two LEDs are to be driven by pairing up the  $D_{1-4}$  inputs (i.e.  $D_{1-2}$ ,  $D_{3-4}$ ),  $R_{SET}$  should be selected such that the current through each current sink input is 50% of the desired LED current.

Connecting the outputs in parallel does not affect internal operation of the LM27952 and has no impact on the Electrical Characteristics and limits previously presented. The available diode output current, maximum diode voltage, and all other specifications provided in the Electrical Characteristics table apply to this parallel output configuration, just as they do to the standard 4-LED application circuit.

### POWER EFFICIENCY

Efficiency of LED drivers is commonly taken to be the ratio of power consumed by the LEDs ( $P_{LED}$ ) to the power drawn at the input of the part ( $P_{IN}$ ). With a 1.5x/1x charge pump, the input current is equal to the charge pump gain times the output current (total LED current). For a simple approximation, the current consumed by internal circuitry can be neglected and the efficiency of the LM27952 can be predicted as follows:

$$\begin{aligned} P_{LED} &= N \times V_{LED} \times I_{LED} \\ P_{IN} &= V_{IN} \times I_{IN} \\ P_{IN} &= V_{IN} \times (\text{Gain} \times N \times I_{LED} + I_Q) \\ E &= (P_{LED} \div P_{IN}) \end{aligned}$$

Neglecting  $I_Q$  will result in a slightly higher efficiency prediction, but this impact will be no more than a few percentage points when several LEDs are driven at full power. It is also worth noting that efficiency as defined here is in part dependent on LED voltage. Variation in LED voltage does not affect power consumed by the circuit and typically does not relate to the brightness of the LED. For an advanced analysis, it is recommended that power consumed by the circuit ( $V_{IN} \times I_{IN}$ ) be evaluated rather than power efficiency.

### THERMAL PROTECTION

Internal thermal protection circuitry disables the LM27952 when the junction temperature exceeds  $150^\circ\text{C}$  (typ.). This feature protects the device from being damaged by high die temperatures that might otherwise result from excessive power dissipation. The device will recover and operate normally when the junction temperature falls below  $140^\circ\text{C}$  (typ.). It is important that the board layout provide good thermal conduction to keep the junction temperature within the specified operating ratings.

### POWER DISSIPATION

The power dissipation ( $P_{DISSIPATION}$ ) and junction temperature ( $T_J$ ) can be approximated with the equations below.  $P_{IN}$  is the power generated by the 1.5x/1x charge pump,  $P_{LED}$  is the power consumed by the LEDs,  $T_A$  is the ambient temperature, and  $\theta_{JA}$  is the junction-to-ambient thermal resistance for the LLP-14 package.  $V_{IN}$  is the input voltage to the LM27952,  $V_{LED}$  is the nominal LED forward voltage, and  $I_{LED}$  is the programmed LED current.

$$\begin{aligned} P_{DISSIPATION} &= P_{IN} - P_{LED} \\ &= [\text{Gain} \times V_{IN} \times (4 \times I_{LED})] - (V_{LED} \times 4 \times I_{LED}) \\ T_J &= T_A + (P_{DISSIPATION} \times \theta_{JA}) \end{aligned}$$

## Application Information (Continued)

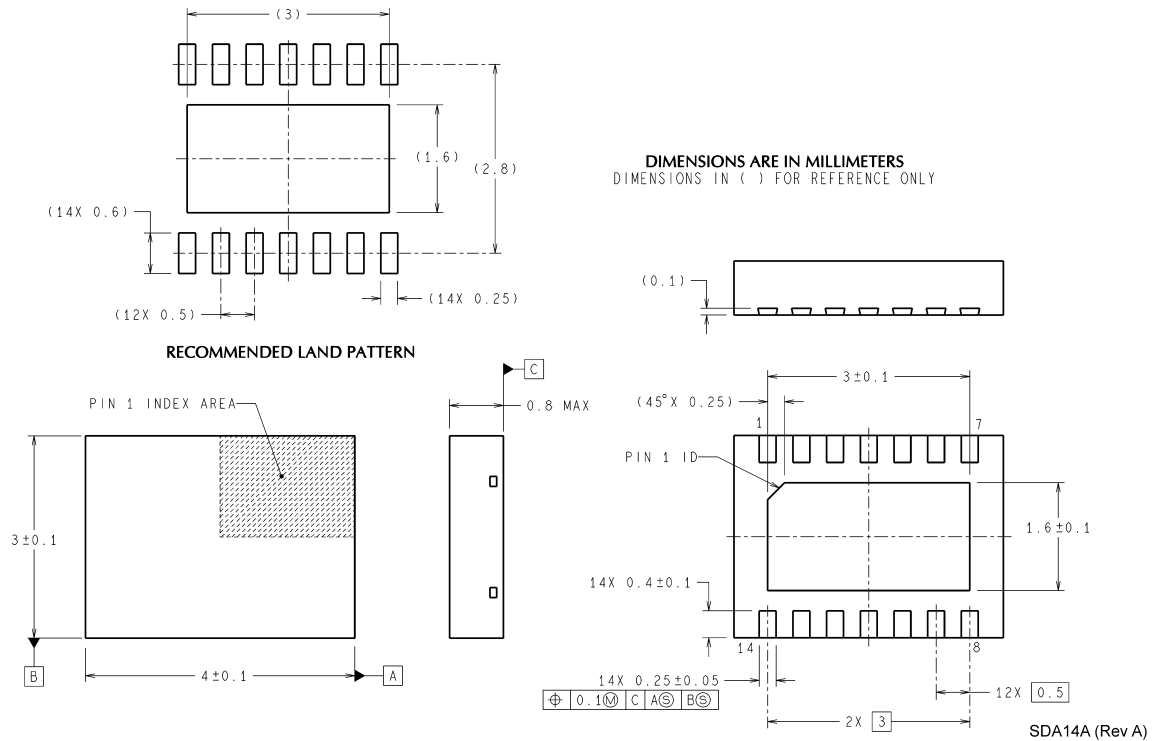
The junction temperature rating takes precedence over the ambient temperature rating. The LM27952 may be operated outside the ambient temperature rating, so long as the junction temperature of the device does not exceed the maximum operating rating of 115°C. The maximum ambient temperature rating must be derated in applications where high power dissipation and/or poor thermal resistance causes the junction temperature to exceed 115°C.

## PCB Layout Considerations

The LLP is a leadframe based Chip Scale Package (CSP) with very good thermal properties. This package has an

exposed DAP (die attach pad) at the center of the package measuring 3.0mm x 1.6mm. The main advantage of this exposed DAP is to offer lower thermal resistance when it is soldered to the thermal land on the PCB. For PCB layout, National highly recommends a 1:1 ratio between the package and the PCB thermal land. To further enhance thermal conductivity, the PCB thermal land may include vias to a ground plane. For more detailed instructions on mounting LLP packages, please refer to National Semiconductor Application Note AN-1187.

**Physical Dimensions** inches (millimeters) unless otherwise noted



**14-Pin LLP  
NS Package Number SDA14A**

National does not assume any responsibility for use of any circuitry described, no circuit patent licenses are implied and National reserves the right at any time without notice to change said circuitry and specifications.  
For the most current product information visit us at [www.national.com](http://www.national.com).

**LIFE SUPPORT POLICY**

NATIONAL'S PRODUCTS ARE NOT AUTHORIZED FOR USE AS CRITICAL COMPONENTS IN LIFE SUPPORT DEVICES OR SYSTEMS WITHOUT THE EXPRESS WRITTEN APPROVAL OF THE PRESIDENT AND GENERAL COUNSEL OF NATIONAL SEMICONDUCTOR CORPORATION. As used herein:

1. Life support devices or systems are devices or systems which, (a) are intended for surgical implant into the body, or (b) support or sustain life, and whose failure to perform when properly used in accordance with instructions for use provided in the labeling, can be reasonably expected to result in a significant injury to the user.
2. A critical component is any component of a life support device or system whose failure to perform can be reasonably expected to cause the failure of the life support device or system, or to affect its safety or effectiveness.

**BANNED SUBSTANCE COMPLIANCE**

National Semiconductor manufactures products and uses packing materials that meet the provisions of the Customer Products Stewardship Specification (CSP-9-111C2) and the Banned Substances and Materials of Interest Specification (CSP-9-111S2) and contain no "Banned Substances" as defined in CSP-9-111S2.

Leadfree products are RoHS compliant.

**National Semiconductor**  
Americas Customer Support Center  
Email: [new.feedback@nsc.com](mailto:new.feedback@nsc.com)  
Tel: 1-800-272-9959

**National Semiconductor**  
Europe Customer Support Center  
Fax: +49 (0) 180-530 85 86  
Email: [europe.support@nsc.com](mailto:europe.support@nsc.com)  
Deutsch Tel: +49 (0) 69 9508 6208  
English Tel: +44 (0) 870 24 0 2171  
Français Tel: +33 (0) 1 41 91 8790

**National Semiconductor**  
Asia Pacific Customer Support Center  
Email: [ap.support@nsc.com](mailto:ap.support@nsc.com)

**National Semiconductor**  
Japan Customer Support Center  
Fax: 81-3-5639-7507  
Email: [jpn.feedback@nsc.com](mailto:jpn.feedback@nsc.com)  
Tel: 81-3-5639-7560

[www.national.com](http://www.national.com)