

LM2651

1.5A High Efficiency Synchronous Switching Regulator

General Description

The LM2651 switching regulator provides high efficiency power conversion over a 100:1 load range (1.5A to 15mA). This feature makes the LM2651 an ideal fit in battery-powered applications that demand long battery life in both run and standby modes.

Synchronous rectification is used to achieve up to 97% efficiency. At light loads, the LM2651 enters a low power hysteretic or "sleep" mode to keep the efficiency high. In many applications, the efficiency still exceeds 80% at 15mA load. A shutdown pin is available to disable the LM2651 and reduce the supply current to less than 10 μ A.

The LM2651 contains a patented current sensing circuitry for current mode control. This feature eliminates the external current sensing resistor required by other current-mode DC-DC converters.

The LM2651 has a 300 kHz fixed frequency internal oscillator. The high oscillator frequency allows the use of extremely small, low profile components.

A programmable soft-start feature limits current surges from the input power supply at start up and provides a simple means of sequencing multiple power supplies.

Other protection features include input undervoltage lockout, current limiting, and thermal shutdown.

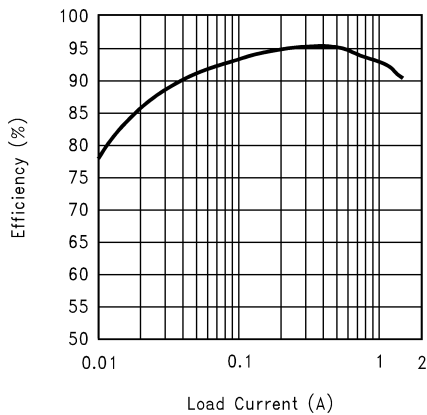
Features

- Ultra high efficiency up to 97%
- High efficiency over a 1.5A to milliamperes load range
- 4V to 14V input voltage range
- 1.8V, 2.5V, 3.3V, or ADJ output voltage
- Internal MOSFET switch with low $R_{DS(on)}$ of 75m Ω
- 300kHz fixed frequency internal oscillator
- 7 μ A shutdown current
- Patented current sensing for current mode control
- Input undervoltage lockout
- Adjustable soft-start
- Current limit and thermal shutdown
- 16-pin TSSOP package

Applications

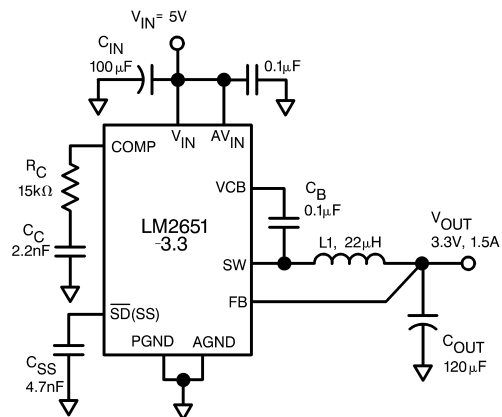
- Personal digital assistants (PDAs)
- Computer peripherals
- Battery-powered devices
- Handheld scanners
- High efficiency 5V conversion

Typical Application



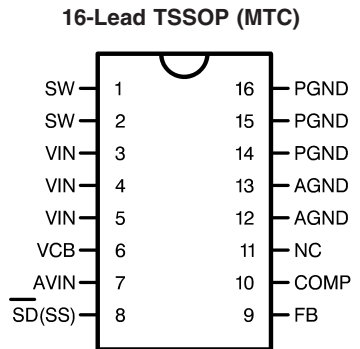
Efficiency vs Load Current
($V_{IN} = 5V$, $V_{OUT} = 3.3V$)

10092515



10092501

Connection Diagram



10092502

Ordering Information

| V _{OUT} | Part Number | | Package Type | NSC Package Drawing |
|------------------|----------------------------|---------------------------------------|--------------|---------------------|
| | Supplied as 94 Units, Rail | Supplied as 2.5k Units, Tape and Reel | | |
| 1.8 | LM2651MTC-1.8 | LM2651MTCX-1.8 | TSSOP-16 | MTC16 |
| 2.5 | LM2651MTC-2.5 | LM2651MTCX-2.5 | | |
| 3.3 | LM2651MTC-3.3 | LM2651MTCX-3.3 | | |
| ADJ | LM2651MTC-ADJ | LM2651MTCX-ADJ | | |

Pin Description

| Pin | Name | Function |
|-------|--------|--|
| 1, 2 | SW | Switched-node connection, which is connected with the source of the internal high-side MOSFET. |
| 3-5 | VIN | Main power supply pin. |
| 6 | VCB | Bootstrap capacitor connection for high-side gate drive. |
| 7 | AVIN | Input supply voltage for control and driver circuits. |
| 8 | SD(SS) | Shutdown and Soft-start control pin. Pulling this pin below 0.3V shuts off the regulator. A capacitor connected from this pin to ground provides a control ramp of the input current. Do not drive this pin with an external source or erroneous operation may result. |
| 9 | FB | Output voltage feedback input. Connected to the output voltage. |
| 10 | COMP | Compensation network connection. Connected to the output of the voltage error amplifier. |
| 11 | NC | No internal connection. |
| 12-13 | AGND | Low-noise analog ground. |
| 14-16 | PGND | Power ground. |

Absolute Maximum Ratings (Note 1)

If Military/Aerospace specified devices are required, please contact the National Semiconductor Sales Office/Distributors for availability and specifications.

| | |
|---|--|
| Input Voltage | 15V |
| Feedback Pin Voltage | $-0.4V \leq V_{FB} \leq 5V$ |
| Power Dissipation ($T_A = 25^\circ\text{C}$), (Note 2) | 893 mW |
| Junction Temperature Range | $-40^\circ\text{C} \leq T_J \leq +125^\circ\text{C}$ |

| | |
|---------------------------|---|
| Storage Temperature Range | -65°C to $+150^\circ\text{C}$ |
| ESD Susceptibility | |
| Human Body Model (Note 3) | 1kV |

Operating Ratings (Note 1)

| | |
|----------------|---------------------------|
| Supply Voltage | $4V \leq V_{IN} \leq 14V$ |
|----------------|---------------------------|

LM2651-1.8 System Parameters Specifications in standard type face are for $T_J = 25^\circ\text{C}$ and those with **boldface type** apply over full operating junction temperature range. $V_{IN} = 10V$ unless otherwise specified.

| Symbol | Parameter | Conditions | Typical | Limit | Units |
|------------|--------------------------------------|---|---------|--|-----------------------|
| V_{OUT} | Output Voltage | $I_{LOAD} = 900\text{ mA}$ | 1.8 | 1.761/ 1.719 1.836/ 1.854 | V V(min) V(max) |
| V_{OUT} | Output Voltage Line Regulation | $V_{IN} = 4V$ to $14V$ $I_{LOAD} = 900\text{ mA}$ | 0.2 | | % |
| V_{OUT} | Output Voltage Load Regulation | $I_{LOAD} = 10\text{ mA}$ to $1.5A$ $V_{IN} = 5V$ | 1.3 | | % |
| V_{OUT} | Output Voltage Load Regulation | $I_{LOAD} = 200\text{ mA}$ to $1.5A$ $V_{IN} = 5V$ | 0.3 | | % |
| V_{HYST} | Sleep Mode Output Voltage Hysteresis | | 35 | | mV |

LM2651-2.5 System Parameters

| Symbol | Parameter | Conditions | Typical | Limit | Units |
|------------|--------------------------------------|---|---------|---|-----------------------|
| V_{OUT} | Output Voltage | $I_{LOAD} = 900\text{ mA}$ | 2.5 | 2.43/ 2.388 2.574/ 2.575 | V V(min) V(max) |
| V_{OUT} | Output Voltage Line Regulation | $V_{IN} = 4V$ to $12V$ $I_{LOAD} = 900\text{ mA}$ | 0.2 | | % |
| V_{OUT} | Output Voltage Load Regulation | $I_{LOAD} = 10\text{ mA}$ to $1.5A$ $V_{IN} = 5V$ | 1.3 | | % |
| V_{OUT} | Output Voltage Load Regulation | $I_{LOAD} = 200\text{ mA}$ to $1.5A$ $V_{IN} = 5V$ | 0.3 | | % |
| V_{HYST} | Sleep Mode Output Voltage Hysteresis | | 48 | | mV |

LM2651-3.3 System Parameters

| Symbol | Parameter | Conditions | Typical | Limit | Units |
|------------|--------------------------------------|---|---------|--|-----------------------|
| V_{OUT} | Output Voltage | $I_{LOAD} = 900\text{ mA}$ | 3.3 | 3.265/ 3.201 3.379/ 3.399 | V V(min) V(max) |
| V_{OUT} | Output Voltage Line Regulation | $V_{IN} = 4V$ to $14V$ $I_{LOAD} = 900\text{ mA}$ | 0.2 | | % |
| V_{OUT} | Output Voltage Load Regulation | $I_{LOAD} = 10\text{ mA}$ to $1.5A$ $V_{IN} = 5V$ | 1.3 | | % |
| V_{OUT} | Output Voltage Load Regulation | $I_{LOAD} = 200\text{ mA}$ to $1.5A$ $V_{IN} = 5V$ | 0.3 | | % |
| V_{HYST} | Sleep Mode Output Voltage Hysteresis | | 60 | | mV |

LM2651-ADJ System Parameters

($V_{OUT} = 2.5V$ unless otherwise specified)

| Symbol | Parameter | Conditions | Typical | Limit | Units |
|------------|--------------------------------------|---|---------|------------------------------|-----------------------|
| V_{FB} | Feedback Voltage | $I_{LOAD} = 900\text{ mA}$ | 1.238 | 1.200 1.263 | V V(min) V(max) |
| V_{OUT} | Output Voltage Line Regulation | $V_{IN} = 4V\text{ to }14V$ $I_{LOAD} = 900\text{ mA}$ | 0.2 | | % |
| V_{OUT} | Output Voltage Load Regulation | $I_{LOAD} = 10\text{ mA to }1.5A$ $V_{IN} = 5V$ | 1.3 | | % |
| V_{OUT} | Output Voltage Load Regulation | $I_{LOAD} = 200\text{ mA to }1.5A$ $V_{IN} = 5V$ | 0.3 | | % |
| V_{HYST} | Sleep Mode Output Voltage Hysteresis | | 24 | | mV |

All Output Voltage Versions

Specifications in standard type face are for $T_J = 25^\circ C$ and those with **boldface type** apply over **full operating junction temperature range**. $V_{IN} = 10V$ unless otherwise specified.

| Symbol | Parameter | Conditions | Typical | Limit | Units |
|------------------|---|--------------------------|---------|--------------------------------------|-----------------------------|
| I_Q | Quiescent Current | | 1.6 | 2.0 | mA mA(max) |
| I_{QSD} | Quiescent Current in Shutdown Mode | Shutdown Pin Pulled Low | 7 | 12/20 | μA $\mu A(max)$ |
| $R_{SW(ON)}$ | High-Side or Low-Side Switch On Resistance (MOSFET On Resistance + Bonding Wire Resistance) | $I_{SWITCH} = 1A$ | 110 | | $m\Omega$ |
| $R_{DS(ON)}$ | MOSFET On Resistance (High-Side or Low-Side) | $I_{SWITCH} = 1A$ | 75 | 130 | $m\Omega$ $m\Omega(max)$ |
| I_L | Switch Leakage Current - High Side | | 130 | | nA |
| | Switch Leakage Current - Low Side | | 130 | | nA |
| V_{BOOT} | Bootstrap Regulator Voltage | $I_{BOOT} = 1\text{ mA}$ | 6.75 | 6.45/6.40 6.95/7.00 | V V(min) V(max) |
| G_M | Error Amplifier Transconductance | | 1250 | | μmho |
| V_{INUV} | V_{IN} Undervoltage Lockout Threshold Voltage | Rising Edge | 3.8 | 3.95 | V V(max) |
| $V_{UV-HYST}$ | Hysteresis for the Undervoltage Lockout | | 210 | | mV |
| I_{CL} | Switch Current Limit | $V_{IN} = 5V$ | 2 | 1.55 2.60 | A A(min) A(max) |
| I_{SM} | Sleep Mode Threshold Current | $V_{IN} = 5V$ | 100 | | mA |
| A_V | Error Amplifier Voltage Gain | | 100 | | V/V |
| I_{EA_SOURCE} | Error Amplifier Source Current | | 40 | 25/15 | μA $\mu A(min)$ |
| I_{EA_SINK} | Error Amplifier Sink Current | | 65 | 30 | μA $\mu A(min)$ |
| V_{EAH} | Error Amplifier Output Swing Upper Limit | | 2.70 | 2.50/2.40 | V V(min) |

All Output Voltage Versions (Continued)

Specifications in standard type face are for $T_J = 25^\circ\text{C}$ and those with **boldface type** apply over **full operating junction temperature range**. $V_{IN} = 10\text{V}$ unless otherwise specified.

| Symbol | Parameter | Conditions | Typical | Limit | Units |
|----------------|--|------------------------------|---------|----------------------------------|---|
| V_{EAL} | Error Amplifier Output Swing Lower Limit | | 1.25 | 1.35/1.50 | V V(max) |
| V_D | Body Diode Voltage | $I_{DIODE} = 1.5\text{A}$ | 1 | | V |
| f_{OSC} | Oscillator Frequency | $V_{IN} = 4\text{V}$ | 300 | 280/255 330/345 | kHz kHz(min) kHz(max) |
| D_{MAX} | Maximum Duty Cycle | $V_{IN} = 4\text{V}$ | 95 | 92 | % %(min) |
| I_{SS} | Soft-Start Current | Voltage at the SS pin = 1.4V | 11 | 7 14 | μA $\mu\text{A}(\text{min})$ $\mu\text{A}(\text{max})$ |
| $I_{SHUTDOWN}$ | Shutdown Pin Current | Shutdown Pin Pulled Low | 2.2 | 0.8/0.5 3.7/4.0 | μA $\mu\text{A}(\text{min})$ $\mu\text{A}(\text{max})$ |
| $V_{SHUTDOWN}$ | Shutdown Pin Threshold Voltage | Falling Edge | 0.6 | 0.3 0.9 | V V(min) V(max) |
| T_{SD} | Thermal Shutdown Temperature | | 165 | | $^\circ\text{C}$ |
| T_{SD_HYST} | Thermal Shutdown Hysteresis Temperature | | 25 | | $^\circ\text{C}$ |

Note 1: Absolute maximum ratings indicate limits beyond which damage to the device may occur. Operating ratings indicate conditions for which the device is intended to be functional, but device parameter specifications may not be guaranteed under these conditions. For guaranteed specifications and test conditions, see the Electrical Characteristics.

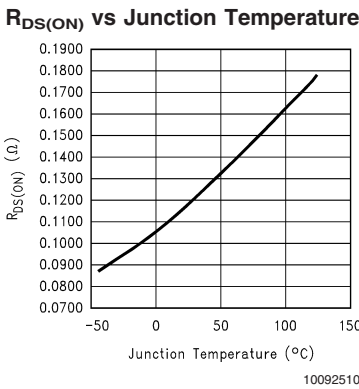
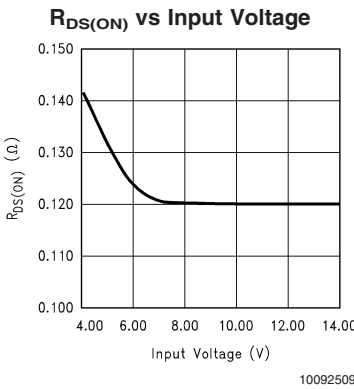
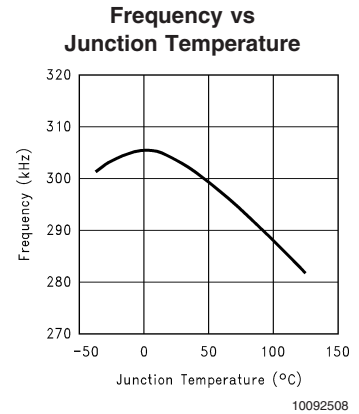
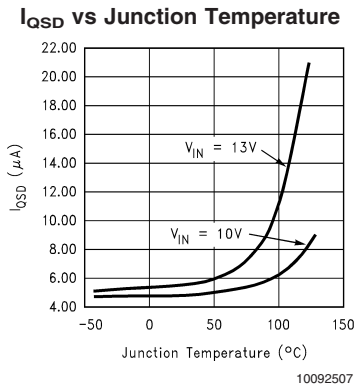
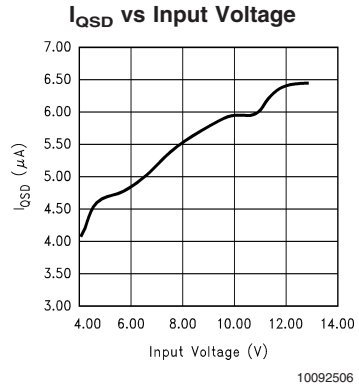
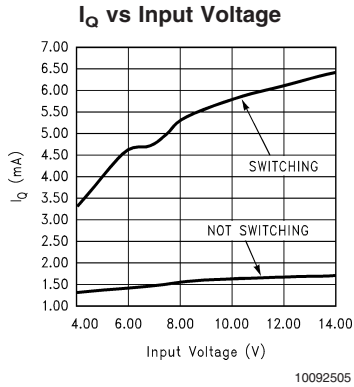
Note 2: The maximum allowable power dissipation is calculated by using $P_{Dmax} = (T_{Jmax} - T_A)/\theta_{JA}$, where T_{Jmax} is the maximum junction temperature, T_A is the ambient temperature, and θ_{JA} is the junction-to-ambient thermal resistance of the specified package. The 893 mW rating results from using 150°C , 25°C , and 140°C/W for T_{Jmax} , T_A , and θ_{JA} respectively. A θ_{JA} of 140°C/W represents the worst-case condition of no heat sinking of the 16-pin TSSOP package. Heat sinking allows the safe dissipation of more power. The Absolute Maximum power dissipation must be derated by $7.14\text{mW per }^\circ\text{C}$ above 25°C ambient. The LM2651 actively limits its junction temperature to about 165°C .

Note 3: The human body model is a 100pF capacitor discharged through a $1.5\text{k}\Omega$ resistor into each pin.

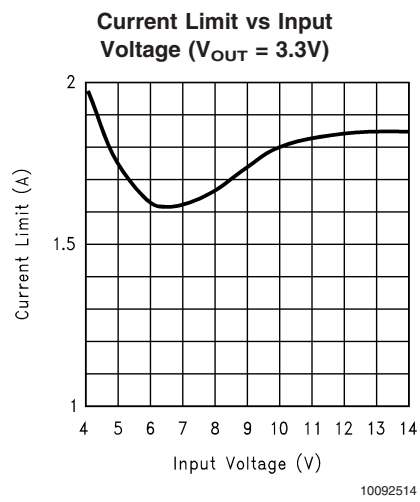
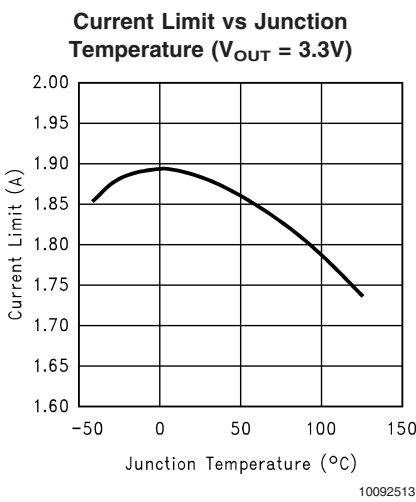
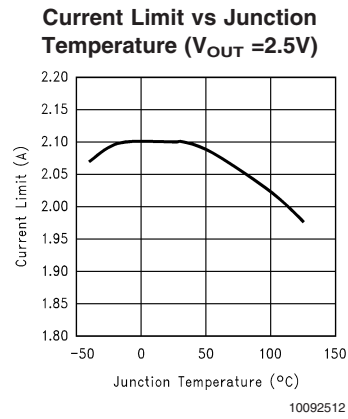
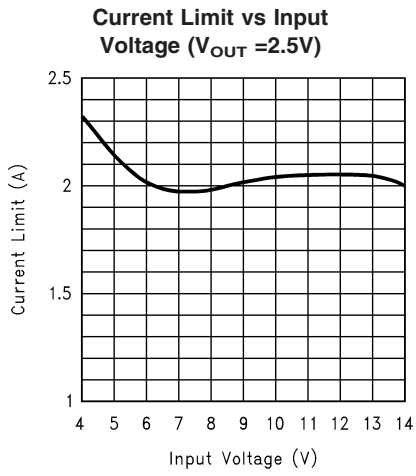
Note 4: Typical numbers are at 25°C and represent the most likely norm.

Note 5: All limits are guaranteed at room temperature (standard typeface) and at **temperature extremes (boldface type)**. All room temperature limits are 100% production tested. All limits at **temperature extremes** are guaranteed via correlation using standard Statistical Quality Control (SQC) methods. All limits are used to calculate Average Outgoing Quality Level (AOQL).

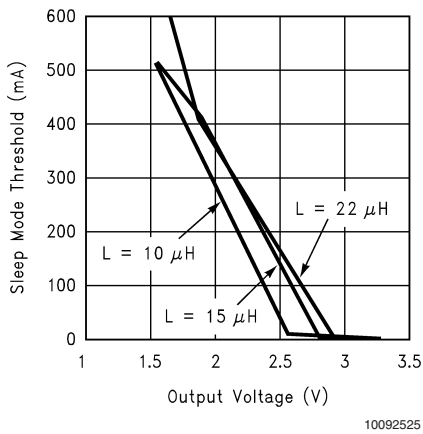
Typical Performance Characteristics



Typical Performance Characteristics (Continued)



Sleep Mode Threshold vs Output Voltage For ADJ version ($V_{IN} = 5V$)



Block Diagram

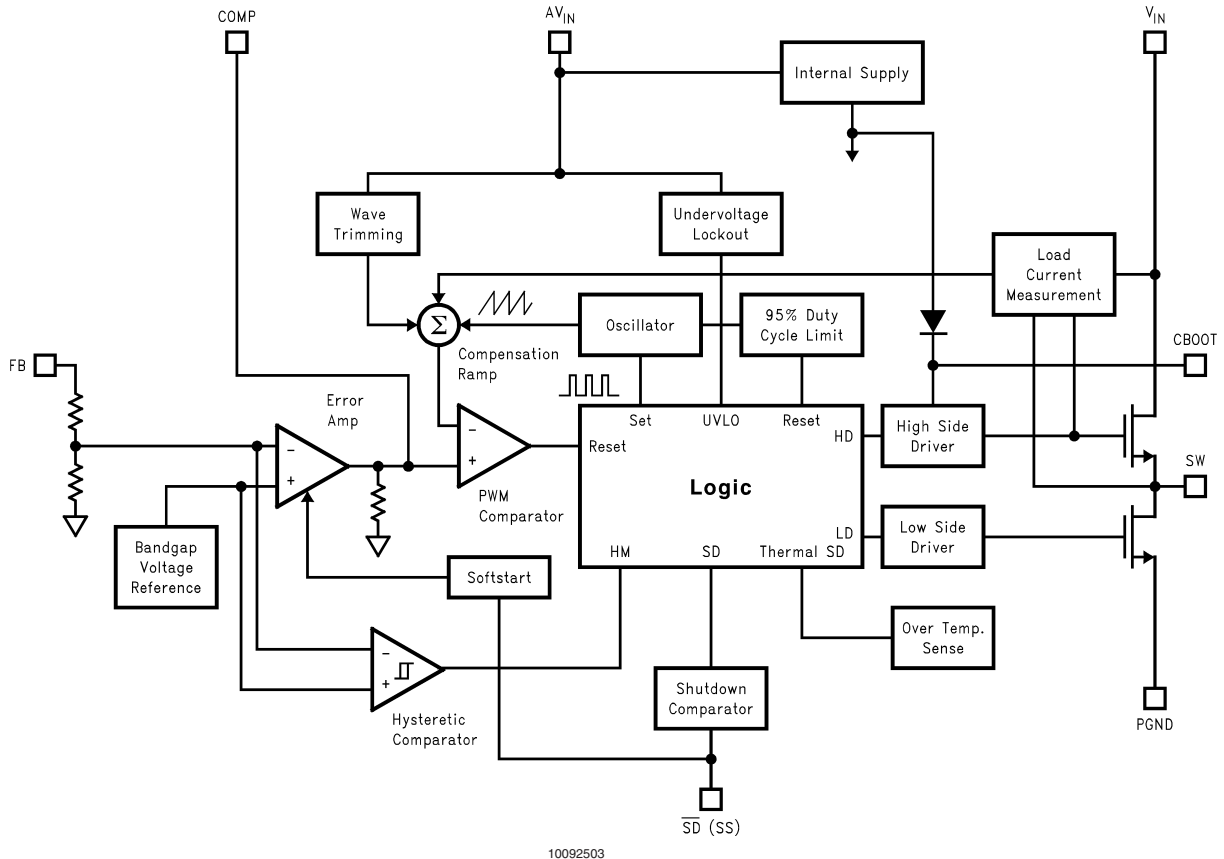


FIGURE 1. LM2651 Block Diagram

Operation

The LM2651 operates in a constant frequency (300 kHz), current-mode PWM for moderate to heavy loads; and it automatically switches to hysteretic mode for light loads. In hysteretic mode, the switching frequency is reduced to keep the efficiency high.

MAIN OPERATION

When the load current is higher than the sleep mode threshold, the part is always operating in PWM mode. At the beginning of each switching cycle, the high-side switch is turned on, the current from the high-side switch is sensed and compared with the output of the error amplifier (COMP pin). When the sensed current reaches the COMP pin voltage level, the high-side switch is turned off; after 40 ns (deadtime), the low-side switch is turned on. At the end of the switching cycle, the low-side switch is turned off; and the same cycle repeats.

The current of the top switch is sensed by a patented internal circuitry. This unique technique gets rid of the external sense

Design Procedure

This section presents guidelines for selecting external components.

resistor, saves cost and size, and improves noise immunity of the sensed current. A feedforward from the input voltage is added to reduce the variation of the current limit over the input voltage range.

When the load current decreases below the sleep mode threshold, the output voltage will rise slightly, this rise is sensed by the hysteretic mode comparator which makes the part go into the hysteretic mode with both the high and low side switches off. The output voltage starts to drop until it hits the low threshold of the hysteretic comparator, and the part immediately goes back to the PWM operation. The output voltage keeps increasing until it reaches the top hysteretic threshold, then both the high and low side switches turn off again, and the same cycle repeats.

PROTECTIONS

The cycle-by-cycle current limit circuitry turns off the high-side MOSFET whenever the current in MOSFET reaches 2A.

Design Procedure (Continued)

$$V_{\text{RIPPLE}} < 20\text{mV} \times V_{\text{OUT}} / V_{\text{FB}}$$

INPUT CAPACITOR

A low ESR aluminum, tantalum, or ceramic capacitor is needed between the input pin and power ground. This capacitor prevents large voltage transients from appearing at the input. The capacitor is selected based on the RMS current and voltage requirements. The RMS current is given by:

$$I_{\text{RMS}} = I_{\text{OUT}} \times \frac{\sqrt{V_{\text{OUT}}(V_{\text{IN}} - V_{\text{OUT}})}}{V_{\text{IN}}}$$

The RMS current reaches its maximum ($I_{\text{OUT}}/2$) when V_{IN} equals $2V_{\text{OUT}}$. For an aluminum or ceramic capacitor, the voltage rating should be at least 25% higher than the maximum input voltage. If a tantalum capacitor is used, the voltage rating required is about twice the maximum input voltage. The tantalum capacitor should be surge current tested by the manufacturer to prevent being shorted by the inrush current. It is also recommended to put a small ceramic capacitor (0.1 μF) between the input pin and ground pin to reduce high frequency spikes.

INDUCTOR

The most critical parameters for the inductor are the inductance, peak current and the DC resistance. The inductance is related to the peak-to-peak inductor ripple current, the input and the output voltages:

$$L = \frac{(V_{\text{IN}} - V_{\text{OUT}})V_{\text{OUT}}}{V_{\text{IN}} \times I_{\text{RIPPLE}} \times 300 \text{ kHz}}$$

A higher value of ripple current reduces inductance, but increases the conductance loss, core loss, current stress for the inductor and switch devices. It also requires a bigger output capacitor for the same output voltage ripple requirement. A reasonable value is setting the ripple current to be 30% of the DC output current. Since the ripple current increases with the input voltage, the maximum input voltage is always used to determine the inductance. The DC resistance of the inductor is a key parameter for the efficiency. Lower DC resistance is available with a bigger winding area. A good tradeoff between the efficiency and the core size is letting the inductor copper loss equal 2% of the output power.

OUTPUT CAPACITOR

The selection of C_{OUT} is driven by the maximum allowable output voltage ripple. The output ripple in the constant frequency, PWM mode is approximated by:

$$V_{\text{RIPPLE}} = I_{\text{RIPPLE}} \left(\text{ESR} + \frac{1}{8F_{\text{S}}C_{\text{OUT}}} \right)$$

The ESR term usually plays the dominant role in determining the voltage ripple. A low ESR aluminum electrolytic or tantalum capacitor (such as Nichicon PL series, Sanyo OS-CON, Sprague 593D, 594D, AVX TPS, and CDE polymer aluminum) is recommended. An electrolytic capacitor is not recommended for temperatures below -25°C since its ESR rises dramatically at cold temperature. A tantalum capacitor has a much better ESR specification at cold temperature and is preferred for low temperature applications.

The output voltage ripple in constant frequency mode has to be less than the sleep mode voltage hysteresis to avoid entering the sleep mode at full load:

BOOST CAPACITOR

A 0.1 μF ceramic capacitor is recommended for the boost capacitor. The typical voltage across the boost capacitor is 6.7V.

SOFT-START CAPACITOR

A soft-start capacitor is used to provide the soft-start feature. When the input voltage is first applied, or when the $\overline{\text{SD}}(\text{SS})$ pin is allowed to go high, the soft-start capacitor is charged by a current source (approximately 2 μA). When the $\overline{\text{SD}}(\text{SS})$ pin voltage reaches 0.6V (shutdown threshold), the internal regulator circuitry starts to operate. The current charging the soft-start capacitor increases from 2 μA to approximately 10 μA . With the $\overline{\text{SD}}(\text{SS})$ pin voltage between 0.6V and 1.3V, the level of the current limit is zero, which means the output voltage is still zero. When the $\overline{\text{SD}}(\text{SS})$ pin voltage increases beyond 1.3V, the current limit starts to increase. The switch duty cycle, which is controlled by the level of the current limit, starts with narrow pulses and gradually gets wider. At the same time, the output voltage of the converter increases towards the nominal value, which brings down the output voltage of the error amplifier. When the output of the error amplifier is less than the current limit voltage, it takes over the control of the duty cycle. The converter enters the normal current-mode PWM operation. The $\overline{\text{SD}}(\text{SS})$ pin voltage is eventually charged up to about 2V.

The soft-start time can be estimated as:

$$T_{\text{SS}} = C_{\text{SS}} \times 0.6\text{V}/2 \mu\text{A} + C_{\text{SS}} \times (2\text{V}-0.6\text{V})/10 \mu\text{A}$$

R₁ AND R₂ (Programming Output Voltage)

Use the following formula to select the appropriate resistor values:

$$V_{\text{OUT}} = V_{\text{REF}}(1 + R_1/R_2)$$

where $V_{\text{REF}} = 1.238\text{V}$

Select resistors between 10k Ω and 100k Ω . (1% or higher accuracy metal film resistors for R_1 and R_2 .)

COMPENSATION COMPONENTS

In the control to output transfer function, the first pole F_{p1} can be estimated as $1/(2\pi R_{\text{OUT}}C_{\text{OUT}})$; The ESR zero F_{z1} of the output capacitor is $1/(2\pi \text{ESR}C_{\text{OUT}})$; Also, there is a high frequency pole F_{p2} in the range of 45kHz to 150kHz:

$$F_{p2} = F_{\text{S}}/(\pi n(1-D))$$

where $D = V_{\text{OUT}}/V_{\text{IN}}$, $n = 1 + 0.348L/(V_{\text{IN}} - V_{\text{OUT}})$ (L is in μH s and V_{IN} and V_{OUT} in volts).

The total loop gain G is approximately $500/I_{\text{OUT}}$ where I_{OUT} is in amperes.

A Gm amplifier is used inside the LM2651. The output resistor R_{O} of the Gm amplifier is about 80k Ω . C_{c1} and R_{C} together with R_{O} give a lag compensation to roll off the gain:

$$F_{pc1} = 1/(2\pi C_{c1}(R_{\text{O}}+R_{\text{C}})), F_{zc1} = 1/2\pi C_{c1}R_{\text{C}}$$

In some applications, the ESR zero F_{z1} can not be cancelled by F_{p2} . Then, C_{c2} is needed to introduce F_{pc2} to cancel the ESR zero, $F_{p2} = 1/(2\pi C_{c2}R_{\text{O}}||R_{\text{C}})$.

The rule of thumb is to have more than 45° phase margin at the crossover frequency ($G=1$).

If C_{OUT} is higher than 68 μF , $C_{c1} = 2.2\text{nF}$, and $R_{\text{C}} = 15\text{k}\Omega$ are good choices for most applications. If the ESR zero is too low to be cancelled by F_{p2} , add C_{c2} .

If the transient response to a step load is important, choose R_{C} to be higher than 10k Ω .

Design Procedure (Continued)

EXTERNAL SCHOTTKY DIODE

A Schottky diode D_1 is recommended to prevent the intrinsic body diode of the low-side MOSFET from conducting during the deadtime in PWM operation and hysteretic mode when both MOSFETs are off. If the body diode turns on, there is extra power dissipation in the body diode because of the reverse-recovery current and higher forward voltage; the high-side MOSFET also has more switching loss since the negative diode reverse-recovery current appears as the high-side MOSFET turn-on current in addition to the load current. These losses degrade the efficiency by 1-2%. The improved efficiency and noise immunity with the Schottky diode become more obvious with increasing input voltage and load current.

The breakdown voltage rating of D_1 is preferred to be 25% higher than the maximum input voltage. Since D_1 is only on for a short period of time, the average current rating for D_1 only requires being higher than 30% of the maximum output current. It is important to place D_1 very close to the drain and source of the low-side MOSFET, extra parasitic inductance in the parallel loop will slow the turn-on of D_1 and direct the current through the body diode of the low-side MOSFET.

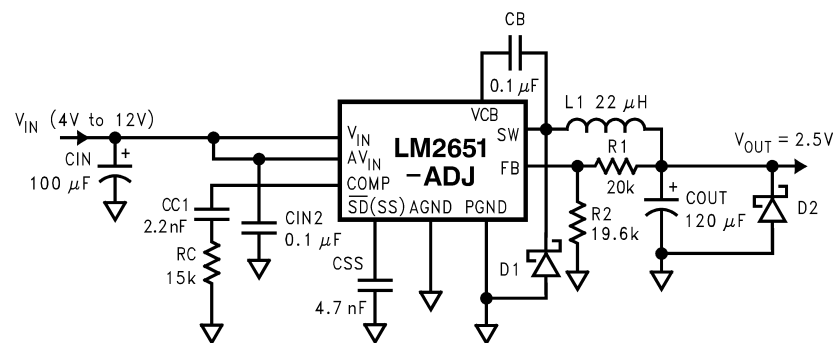
When an undervoltage situation occurs, the output voltage can be pulled below ground as the inductor current is re-

versed through the synchronous FET. For applications which need to be protected from a negative voltage, a clamping diode D_2 is recommended. When used, D_2 should be connected cathode to V_{OUT} and anode to ground. A diode rated for a minimum of 2A is recommended.

PCB Layout Considerations

Layout is critical to reduce noises and ensure specified performance. The important guidelines are listed as follows:

1. Minimize the parasitic inductance in the loop of input capacitors and the internal MOSFETs by connecting the input capacitors to V_{IN} and PGND pins with short and wide traces. This is important because the rapidly switching current, together with wiring inductance can generate large voltage spikes that may result in noise problems.
2. Minimize the trace from the center of the output resistor divider to the FB pin and keep it away from noise sources to avoid noise pick up. For applications requiring tight regulation at the output, a dedicated sense trace (separated from the power trace) is recommended to connect the top of the resistor divider to the output.
3. If the Schottky diode D_1 is used, minimize the traces connecting D_1 to SW and PGND pins.

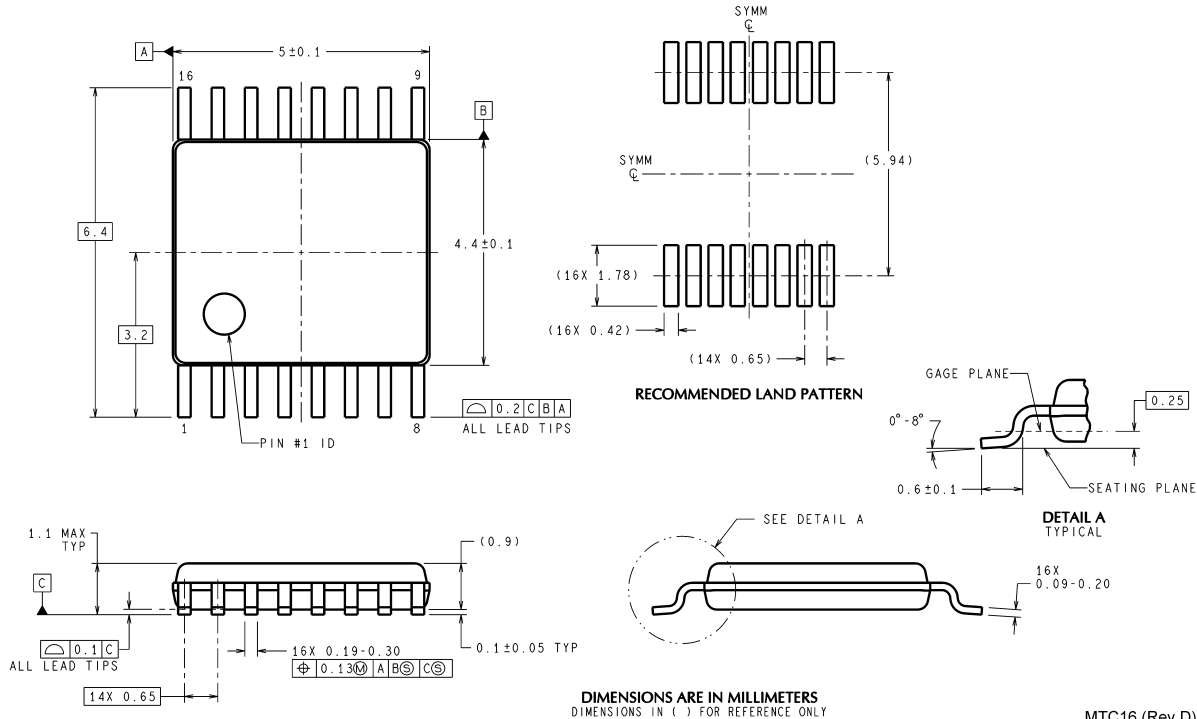


Schematic for the Typical Board Layout

10092523

Physical Dimensions inches (millimeters)

unless otherwise noted



16-Lead TSSOP (MTC)

For ordering, refer to Ordering Information Table
See NS Package Number MTC16

National does not assume any responsibility for use of any circuitry described, no circuit patent licenses are implied and National reserves the right at any time without notice to change said circuitry and specifications.

For the most current product information visit us at www.national.com.

LIFE SUPPORT POLICY

NATIONAL'S PRODUCTS ARE NOT AUTHORIZED FOR USE AS CRITICAL COMPONENTS IN LIFE SUPPORT DEVICES OR SYSTEMS WITHOUT THE EXPRESS WRITTEN APPROVAL OF THE PRESIDENT AND GENERAL COUNSEL OF NATIONAL SEMICONDUCTOR CORPORATION. As used herein:

1. Life support devices or systems are devices or systems which, (a) are intended for surgical implant into the body, or (b) support or sustain life, and whose failure to perform when properly used in accordance with instructions for use provided in the labeling, can be reasonably expected to result in a significant injury to the user.
2. A critical component is any component of a life support device or system whose failure to perform can be reasonably expected to cause the failure of the life support device or system, or to affect its safety or effectiveness.

BANNED SUBSTANCE COMPLIANCE

National Semiconductor manufactures products and uses packing materials that meet the provisions of the Customer Products Stewardship Specification (CSP-9-111C2) and the Banned Substances and Materials of Interest Specification (CSP-9-111S2) and contain no "Banned Substances" as defined in CSP-9-111S2.



National Semiconductor
Americas Customer
Support Center
Email: new.feedback@nsc.com
Tel: 1-800-272-9959

National Semiconductor
Europe Customer Support Center
Fax: +49 (0) 180-530 85 86
Email: europe.support@nsc.com
Deutsch Tel: +49 (0) 69 9508 6208
English Tel: +44 (0) 870 24 0 2171
Français Tel: +33 (0) 1 41 91 8790

National Semiconductor
Asia Pacific Customer
Support Center
Email: ap.support@nsc.com

National Semiconductor
Japan Customer Support Center
Fax: 81-3-5639-7507
Email: jpn.feedback@nsc.com
Tel: 81-3-5639-7560

www.national.com