

# M4200 SERIES

## Alarm Monitor

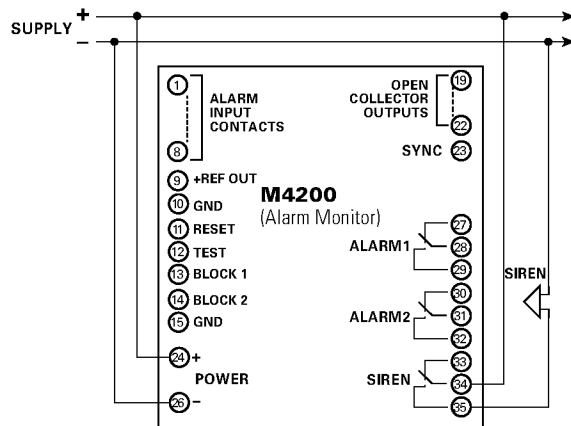


### Description

The M4200 Alarm Monitor provides a cost effective solution, with the possibility of monitoring eight individual sensors. The inputs can accept NO or NC contacts. Each input can be programmed to control both of the two alarm relays for group alarm outputs. All inputs will, in default mode, activate the alarm relay and the siren relay. The delays for the inputs can be individually selected between 25 milliseconds and 999 seconds.

Cable monitoring provides extra security to the alarm system. It is possible to adjust the brightness and color of the LEDs. Configuration can be done either by dip switches on the back of the unit or by PC.

### Simplified Circuit Diagram



### Features & Benefits

FEATURES	BENEFITS
<b>Programmable LED color change</b>	Flexible adjustment according to application
<b>Cable monitoring on sensor inputs</b>	Health monitoring of the inputs with an alarm in case a sensor is lost
<b>Compact dimensions</b>	Fits limited spaces
<b>N-G continuity alarm</b>	Easy configuration of group and individual alarms
<b>Special indication of cable break or short circuit</b>	Sensor monitoring included

### Ordering Information

ORDERING NUMBER	CONTROL POWER
M4200.0010	24 Vdc

### Specifications

<b>Voltage Supply</b>	8.4-60 Vdc; 8.4-50 Vac
<b>Power Consumption</b>	Max. 180 mA
<b>Ambient Temp.</b>	-15°C to +70°C
<b>Relay Output (Load Capacity)</b>	Max. 250 Vac/6 A
<b>Open Collector Outputs</b>	Max. 60 Vdc/700 mA per output
<b>Min. Input Delay</b>	25 ms
<b>Resistance in Sensing Cable</b>	1000 Ω (full length)
<b>Burn-in</b>	50 hours before final test
<b>Maritime Application</b>	IEC 60945
<b>Industrial Application</b>	EN 61000-4-3, EN 61000-4-4, EN 61000-4-5, EN 61000-4-6
<b>Weight</b>	0.222 kg
<b>Dimensions</b>	<b>H</b> 96 mm (3.8"); <b>W</b> 96 mm (3.8"); <b>D</b> 20 mm (0.8")
<b>Panel Cut-out</b>	<b>H</b> 92 mm (3.6"); <b>W</b> 92 mm (3.6")
<b>Protection Degree at Front</b>	IP54