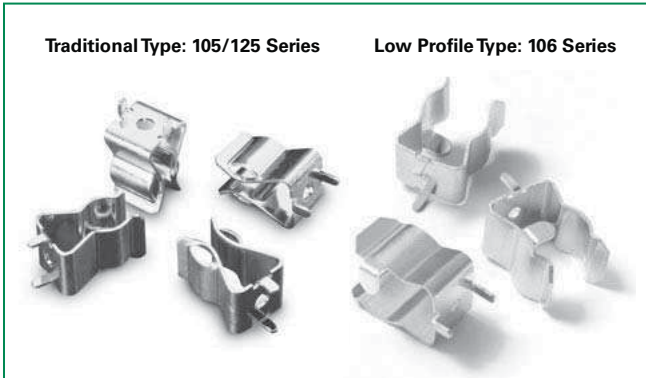


105/106/125 Series Circuit Board Mount Clips for Midget (13/32") Diameter Fuses



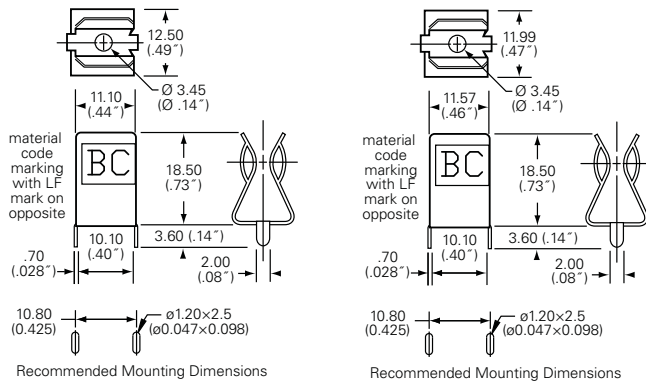
Product Characteristics

	105 Series	125 Series	106 Series
Compatible Fuse Size	13/32" Diameter Fuses (Midget Type Fuse)		
Current Levels	15A max	30A max	20A max

Agency Approval

Agency	Agency File Number		
	105 Series	125 Series	106 Series
	E14721		N/A

Product Dimensions



Ordering Information

Ordering No.	Catalog No.	Clip Material*	Plating	Style	Packaging Available
0105 0003	105 003	Spring Brass	Tin-plated	Ear	H
0125 0003	125 003	Beryllium Copper	Tin-plated	Ear	H
0106 0001	106 001	Phosphor Bronze	Tin-plated	Ear	Z

Add Suffix to the Ordering PN for Packaging

"H" = std. package 100 pcs per pack
"Z" = for bulk package

