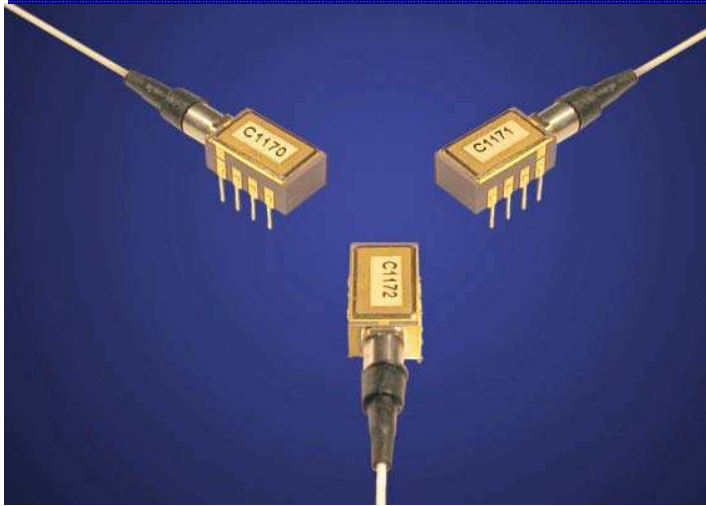


PINAMP Mini-DIL Optical Receivers



- 4Mb/s, 52Mb/s, 155Mb/s & 622Mb/s
- High sensitivity/Wide dynamic range
- High responsivity and low dark current InGaAs pin detector
- Single Supply Capable
- Hermetic Package
- GR-468-CORE Telcordia Qualified

Applications Include: Supervisory channel, Long haul transmission networks, Short haul transmission networks, DWDM transponders, SDH/SONET single mode applications, Instrumentation and testing, Data communications.

Specifications and Limits

Performance @ 25°C (+ / - 5.0 VDC)

PARAMETER	UNIT	4 Mb/s			52Mb/s			155 Mb/s			622 Mb/s		
		min	typ	max	min	typ	max	min	typ	max	min	typ	max
Data Rate	Mb/s		4		52			155			622		
Sensitivity @ 10 ⁻⁹ (BER)*	dBm		-50	-48	-43	-41		-39	-37		-33	-31	
Overload @ -5 VDC	dBm		-4		0			0			0		
Transfer Gain @ 1310nm	V/W		40K		25K			12K			4K		
Dark Current @ -5 VDC	nA		0.5		0.5			0.5			0.5		
Responsivity @ -5 VDC	A/W												
@1310 nm	A/W		0.85		0.85			0.85			0.85		
@1550 nm	A/W		0.9		0.9			0.9			0.9		
Output Impedance	Ohms	30		60	30		60	30		60	30		60
Supply Voltage	V	4.75		5.25	4.75		5.25	4.75		5.25	4.75		5.25
Supply Current	mA		30		30			30			30		

*Sensitivity is calculated using the noise voltage measured at 25°C at the output of a 3-pole Butterworth filter.

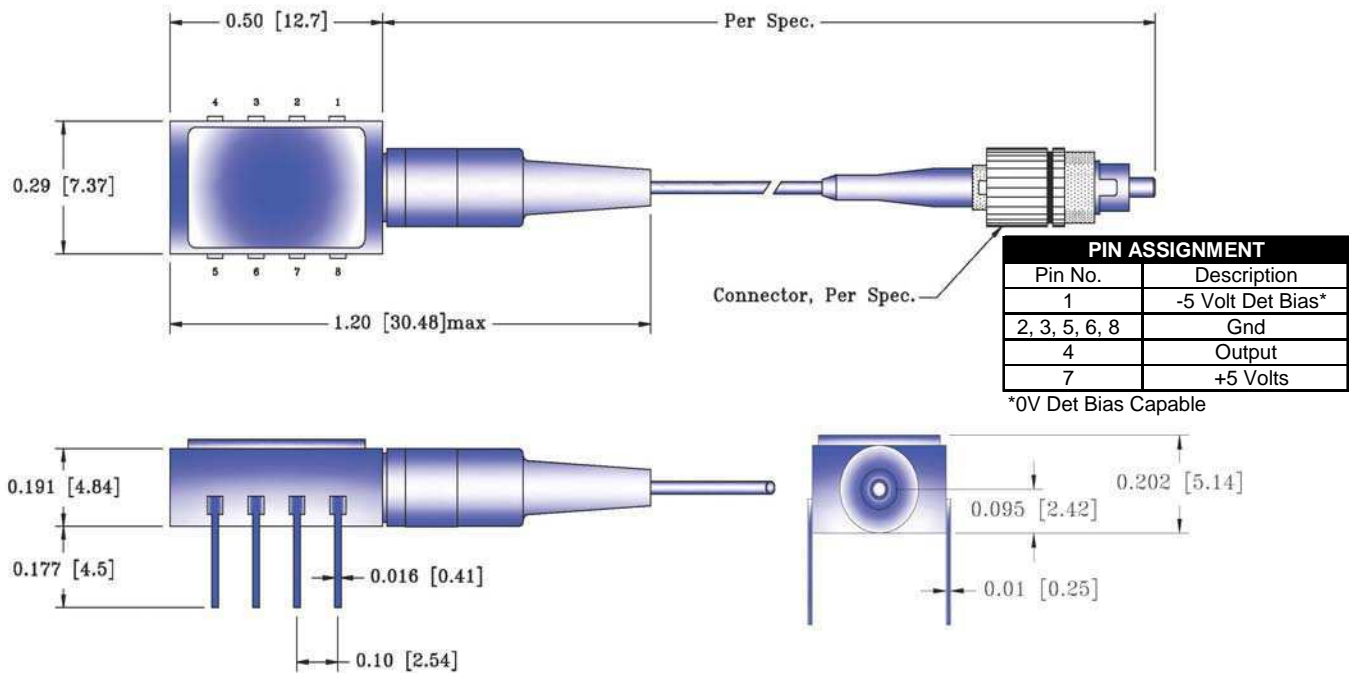
Sensitivity is specified as the average optical power in dBm measured at 1310nm and T_a = 25°C for a BER of 10⁻⁹.

Fiber Specifications

Fiber Type	Index Profile	N/A	Nominal Size (um)	Cladding Tolerance (um)	900 um Buffer Material	Fiber Yield Strength (N)	Fiber Bend Radius min. (mm)
Multimode tight buffer	Graded	0.2	50/125/245/900	125 +/-2.0	Hytel	10	30

Other fiber types are available. Please contact the Laser Diode Sales Department or your local LDI representative.

Outline Drawing



Dimensions: inches [mm]
Detailed package drawing is available upon request

Absolute Maximum Ratings

	Units	LPAD Series
Operating Temperature	°C	-40 to +85
Storage Temperature	°C	-40 to +85
Positive Supply Voltage	V	+5.5
Detector Bias	V	-10
Soldering time at 260°C	secs	10

Part Numbering Diagram

Mini-DIL Pinamps

4Mb/s, 52Mb/s, 155Mb/s, 622Mb/s

LPAD

Package Type

0XXX

Data Rate

-

XX

Connector Type

R

RoHS Designator

EXAMPLE: LPAD 0622-FC

Mini-DIL Pinamp at 622 Mb/s with FC connector

Products can be ordered directly from Laser Diode Inc. or its representatives. When ordering, refer to the numbering diagram above. For a complete listing of representatives, visit our website at www.laserdiode.com

Personal Hazard and Handling Precautions:
Handle optical fiber with normal care, avoiding stretch, tension, twist, kink or bend abuse. **ESD** precautions apply.

Warranty:
Please refer to your product purchase agreement for complete details or check with your Laser Diode sales representative.

Notice:
Laser Diode Inc. reserves the right to make changes to the products or information contained herein without notice. No liability is assumed as a result of their use or application.