

Pb Free

RoHS Compliant

### Features

- Crystal unit for Consumer Products
- Ultra-miniature and low profile (2.0x1.6x0.40/ 0.45mm)
- Ceramic package
- A lead free product
- Reflow compatible

### Applications

- Digital Electronics
- Consumer Products

### How to Order

CX2016SB 27000              

①                      ②                      ③                      ④                      ⑤                      ⑥                      ⑦

- ① Series                      ② Frequency  
 ③ Load Capacitance    ④ Frequency Stability
- |           |      |      |          |                      |      |
|-----------|------|------|----------|----------------------|------|
| <b>B0</b> | 6 pF | —    | <b>G</b> | ±15×10 <sup>-6</sup> | Std. |
| <b>D0</b> | 8 pF | Std. |          |                      |      |
- ⑤ Operating Temp. Range    ⑥ Frequency Temp. Stability
- |           |              |                      |      |
|-----------|--------------|----------------------|------|
| <b>EJ</b> | -10 to +70°C | ±15×10 <sup>-6</sup> | Std. |
|-----------|--------------|----------------------|------|
- ⑦ Individual Specification

### Specifications

| Item                            | Symbol           | Specification  | Units             | Remarks                                |
|---------------------------------|------------------|----------------|-------------------|--|
| Frequency Range                 | f <sub>nom</sub> | 18000 to 60000 | kHz               |  |
| Overtone Order                  | OT               | Fundamental    | —                 |  |
| Load Capacitance                | CL               | 8              | pF                |  |
| Frequency Stability             | f <sub>tol</sub> | ±15            | ×10 <sup>-6</sup> | 25°C±3°C                               |
| Motional Series Resistance      | R1               | Table 1        | ohm               |  |
| Drive Level                     | DL               | Table 2        | μW                |  |
| Operating Temp. Range           | T <sub>use</sub> | -10 to +70     | °C                |  |
| Storage Temp. Range             | T <sub>stg</sub> | -40 to +85     | °C                |  |
| Frequency Temp. Characteristics | f <sub>tem</sub> | ±15            | ×10 <sup>-6</sup> | Freq. deviation from the value at 25°C |

\* Please contact us for other specifications.

### Typical Frequencies and Part Numbers

| Frequency (kHz) | Part Number          |
|-----------------|----------------------|
| 20000.000       | CX2016SB20000D0GEJZ1 |
| 24000.000       | CX2016SB24000D0GEJZ1 |
| 24576.000       | CX2016SB24576D0GEJZ1 |
| 26000.000       | CX2016SB26000D0GEJZ1 |
| 27000.000       | CX2016SB27000D0GEJZ1 |
| 27120.000       | CX2016SB27120D0GEJZ1 |
| 30000.000       | CX2016SB30000D0GEJZ1 |
| 32000.000       | CX2016SB32000D0GEJZ1 |
| 36000.000       | CX2016SB36000D0GEJZ1 |
| 38400.000       | CX2016SB38400D0GEJZ1 |
| 40000.000       | CX2016SB40000D0GEJZ1 |
| 48000.000       | CX2016SB48000D0GEJZ1 |
| 54000.000       | CX2016SB54000D0GEJZ1 |

### Table1 Motional Series Resistance

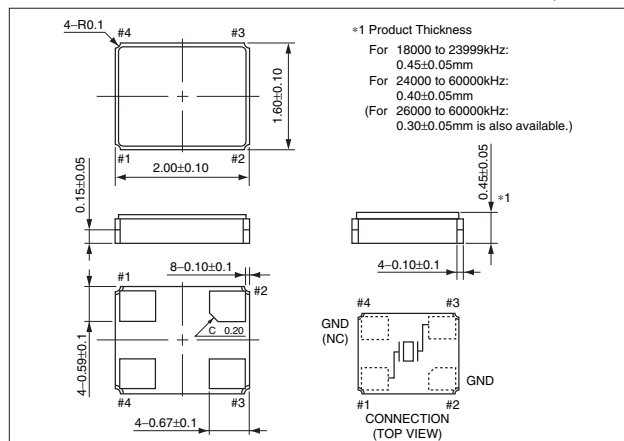
| Frequency Range   | Motional Series Resistance |
|-------------------|----------------------------|
| 18000 to 25999kHz | 150Ω max.                  |
| 26000 to 35999kHz | 80Ω max.                   |
| 36000 to 39999kHz | 60Ω max.                   |
| 40000 to 60000kHz | 50Ω max.                   |

### Table2 Level of Drive

| Frequency Range   | Level of Drive    |
|-------------------|-------------------|
| 18000 to 60000kHz | 10μW (100μW max.) |

### Dimensions

(Unit: mm)



### Recommended Land Pattern

(Unit: mm)

