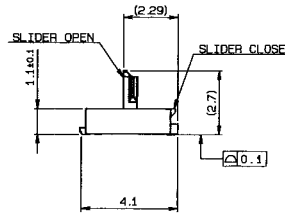
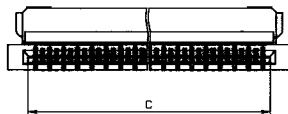
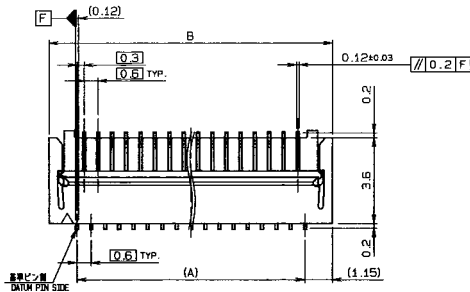


0.3mm Pitch

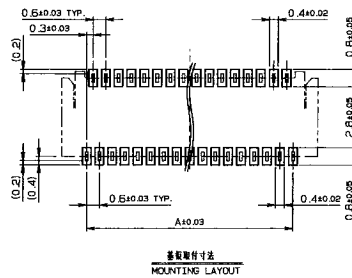
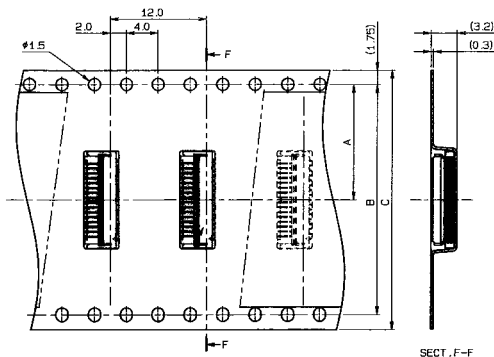
SERIES

# 6283

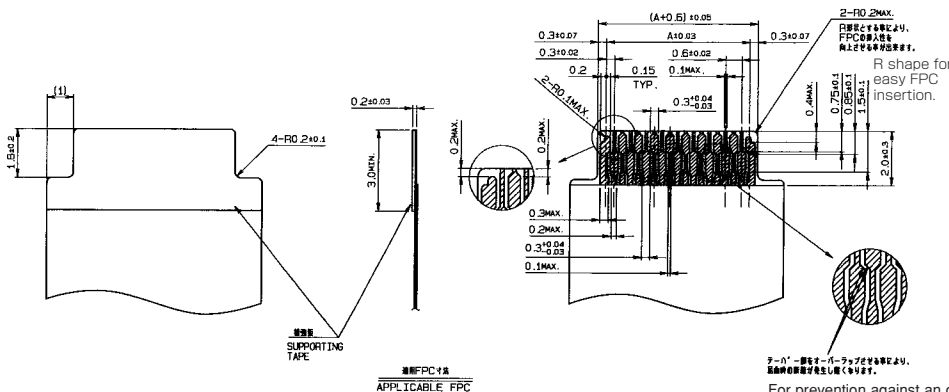
0.3mmピッチ RA SMT 上接点 ワンタッチロック  
0.3mmPitch RA SMT Top contact One-touch lock



位置 NO. OF POS.	A	B	C
17	4.8	7.1	5.5
19	5.4	7.7	6.1
21	6.0	8.3	6.7
23	6.6	8.9	7.3
25	7.2	9.5	7.9
27	7.8	10.1	8.5
29	8.4	10.7	9.1
31	9.0	11.3	9.7
33	9.6	11.9	10.3
35	10.2	12.5	10.9
37	10.8	13.1	11.5
39	11.4	13.7	12.1
41	12.0	14.3	12.7
43	12.6	14.9	13.3
45	13.2	15.5	13.9
47	13.8	16.1	14.5
49	14.4	16.7	15.1
51	15.0	17.3	15.7



位置 NO. OF POS.	A	B	C
17	11.5	-	24.0
19	11.5	-	24.0
21	11.5	-	24.0
23	11.5	-	24.0
25	11.5	-	24.0
27	11.5	-	24.0
29	11.5	-	24.0
31	11.5	-	24.0
33	14.2	26.4	32.0
35	14.2	26.4	32.0
37	14.2	26.4	32.0
39	14.2	26.4	32.0
41	14.2	26.4	32.0
43	14.2	26.4	32.0
45	14.2	26.4	32.0
47	14.2	26.4	32.0
49	14.2	26.4	32.0
51	14.2	26.4	32.0



生産対応可能極数については、営業部にご確認願います。

Feel free to contact our sales department for available numbers of positions.

For prevention against an open circuit in being bent, the tapered areas shall be laid as indicated.

注文コード ORDERING CODE

04 6283 OXX 0X2 868+

RoHS 対応品

RoHS Compliant Product

0 or 1  
極数によりスライダー材質が異なります。  
恐れ入りますが弊社営業まで御確認願います。  
Feel free to contact our sales department for the material of the actuator,  
because the material differs according to the number of positions.

極数 NUMBER OF POSITIONS

梱包数量 2000個/リール  
PACKING QUANTITY : 2000/Reel