

GMX Series Right Angle Modular Jack, Low Profile

Features



- 0.45" Height
- Low Profile Design Suitable for PC Add-On Board Applications
- Snap in Board Retention Tabs
- Available in 4, 6, 8, and 10 Position Housings
- Available Fully Shielded for EMI/RFI Protection
- CSA/NRTL Certified File No. LR78160

Performance Specifications

Materials and Finish

Housing Material

PBT Thermoplastic, UL 94V-0 Rated, Black Color

Shield Material

Copper Alloy, Nickel Plated

Contact Material

Phosphor Bronze

Electrical Characteristics

Insulation Resistance

500 Megohms Min.

Dielectric Withstanding Voltage

1000V RMS, 60 Hz

Contact Resistance

20 milliohms Max.

Current Rating

1.5A

Voltage Rating

125V DC

Operating Temperature

-40°C to +80°C

Durability

500 Mating Cycles Min.

MODULAR JACKS AND PLUGS

GMX Series

Documentation & Ordering Information

Kycon Part #

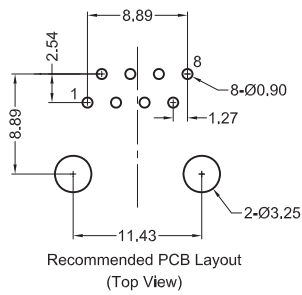
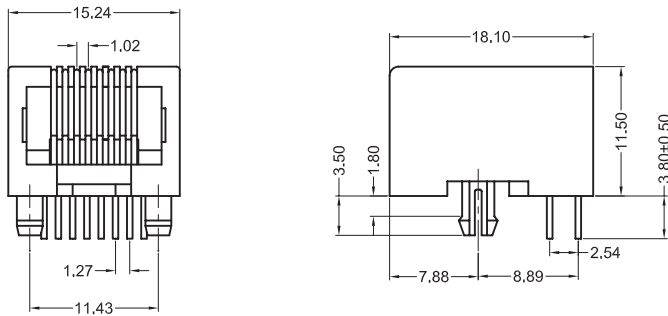
Part Number Builder

Series	Shield Option	Positions and Contacts	Keyed Option	Plating Option
<p>Series GMX- Right Angle, PCB Mount</p> <p>Shield Options N - Non-Shielded (Available with 4-10 Positions) S - Fully Shielded (Available with 6 -10 Positions) S2 - Shielded With grounding tab (Available with only 8 Positions) S7 - Shielded with Side & top grounding (Available with only 8 Positions)</p> <p>Number of Positions/Contacts 44 - 4 Positions/ 4 Contacts 62 - 6 Positions/ 2 Contacts 64 - 6 Positions/ 4 Contacts 66 - 6 Positions/ 6 Contacts 86 - 8 Positions/ 6 Contacts 88 - 8 Positions/ 8 Contacts 1010 - 10 Positions/ 10 Contacts</p> <p>Keyed Option Blank - Not Keyed K - Keyed (8 and 10 Positions Only)</p> <p>Plating Option Blank - Gold Flash 50 - 50µ" Gold Plating</p>				

* See next page for dimensions

GMX-N-88

Dimensions in mm



GMX-S7-88

Dimensions in mm

