



Precision Series KK - 2 Watt multiple element 1/4" shaft diameter



Precision series KK/2RV7 potentiometers are suitable for both military and commercial applications requiring multiple elements. They can easily be customized to meet special requirements.

FEATURES:

- hot molded carbon element
- gold-plated terminals
- stainless-steel shaft and housing
- quality meeting or exceeding MIL-R-94 - QPL listed

OPTIONS:

- custom shafts and bushings
- special tapers
- fourth (center) terminal
- concentric shafts
- attached switches

ELECTRICAL SPECIFICATIONS:

- Resistance range, linear taper:** 50 Ω to 5 Meg Ω
- Resistance range, logarithmic taper:** 150 Ω to 1 Meg Ω
- Resistance tolerance:** $\pm 10\%$ or $\pm 20\%$
- Resistance taper:** linear, logarithmic, reverse logarithmic;
other tapers by special order
- Power rating:** 2 watts at 70°C derated to 0 watts at 120°C
- Insulation resistance:**
dry: 10K Meg Ω
wet: 100K Meg Ω
- Dielectric strength:** 900 V RMS at sea level
- Operating voltage:** 500 V, subject to power rating

MECHANICAL SPECIFICATIONS:

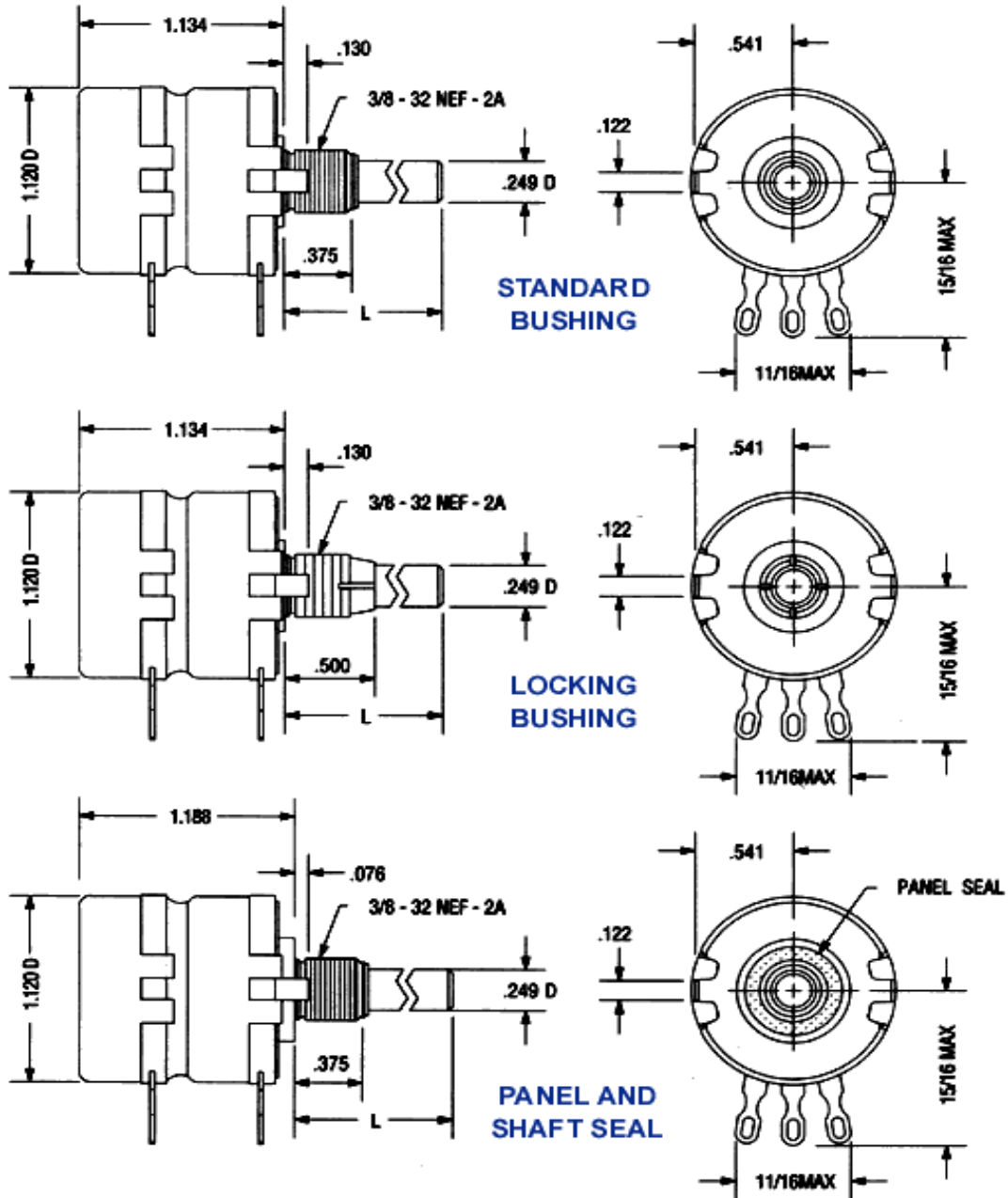
- Mechanical rotation:** 314°
- Operating torque:** 1 oz/in to 12 oz/in
- Rotational life:** 25,000 cycles

ENVIRONMENTAL SPECIFICATIONS:

- Operating temperature:** - 65°C to +125°C
- Resistance to soldering heat:** 350°C for 5 seconds
- Humidity range:** per MIL-R-94
- Vibration range:** per MIL-R-94
- Shock resistance:** per MIL-R-94
- Load life:** 1000 hours at 70°C



DRAWING:





ORDERING INFORMATION:

Ordering Information - Commercial Part Numbers							
Series	Bushing	Switch	Taper	Resistance Value	Tolerance	Shaft Style	Shaft Length
KK = series KK - dual element KKK = series KKK - triple element	Blank = standard L = locking W = panel & shaft steel	Blank = without switch S = SPST switch	U = linear A = logarithmic B = reverse logarithmic	Total resistance value in Ω: first 2 digits significant, third digit = number of zeroes	1 = 10% of nominal 2 = 20% of nominal	R = round S = slotted F = flatted	16 = 1/2" 20 = 5/8" 24 = 3/4" 28 = 7/8" 32 = 1" 40 = 1 1/4" 48 = 1 1/2" 64 = 2" 80 = 2 1/2" 96 = 3"
Example: K KU1041S28 note: not all part number combinations are valid							

Ordering Information - Military Part Numbers						
Style	Bushing	Temperature & Moisture Characteristics	Shaft Style	Shaft Length	Resistance Value	Taper & Tolerance
2RV7 = MIL style 2RV7	N = standard L = locking S = panel & shaft steel	Y = as per MIL-R-94	S = slotted F = flatted	B = 1/2" A = 5/8" D = 7/8" G = 1 1/4" J = 2" K = 2 1/2"	Total resistance value in Ω: first 2 digits significant, third digit = number of zeroes	A = linear 10% B = linear 20% C = logarithmic 10% D = logarithmic 20% E = reverse logarithmic 10% F = reverse logarithmic 20%
Example: RV4NAYS B000A note: not all part number combinations are valid						