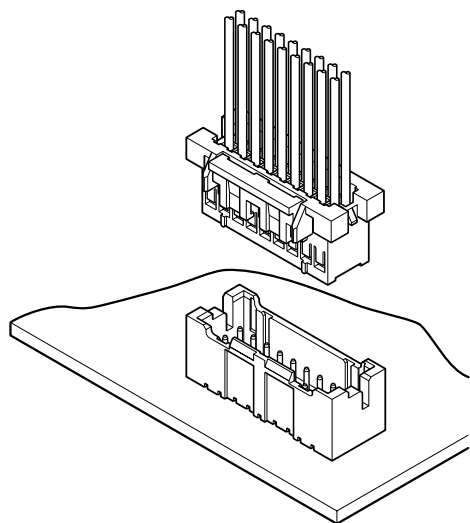


# XAD CONNECTOR

2.5mm pitch/Disconnectable Crimp style connectors



**Double-row construction connector with secure locking device.**

- Secure locking device
- Solder crack preventive material
- Polarizing boss
- Mis-insertion preventive design

## Specifications

- Current rating: 3A AC, DC (AWG #20)
  - Voltage rating: 250V AC, DC
  - Temperature range: -25°C to +85°C  
(including temperature rise in applying electrical current)
  - Contact resistance: Initial value/10m Ω max.  
After environmental testing/20m Ω max.
  - Insulation resistance: 1,000M Ω min.
  - Withstanding voltage: 1,000V AC/minute
  - Applicable wire: AWG #28 to #20
  - Applicable PC board thickness: 1.6mm
- \* Compliant with RoHS.  
\* Refer to "General Instruction and Notice when using Terminals and Connectors" at the end of this catalog.  
\* Contact JST for details.

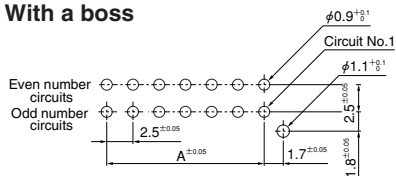
## Standards

- Ⓡ Recognized E60389
- Ⓢ Certified LR20812
- Ⓡ R9851219

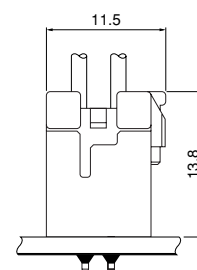
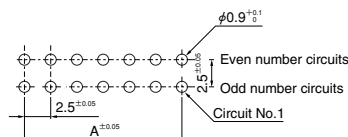
## PC board layout (viewed from component side) and Assembly layout

### Top entry type

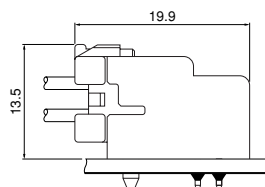
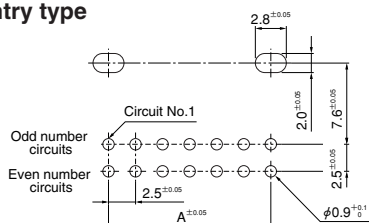
#### With a boss



#### Without a boss



### Side entry type

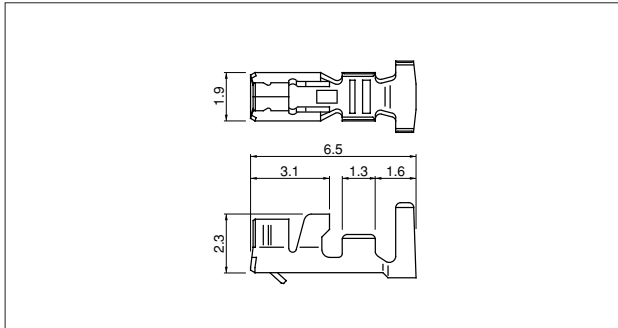


Note: 1. Tolerances are non-cumulative:  $\pm 0.05\text{mm}$  for all centers.

2. Hole dimensions differ according to the kind of PC board and piercing method. The dimensions above should serve as a guideline. Contact JST for details.

# XAD CONNECTOR

## Contact



| Model No.             | Applicable wire |       | Insulation O.D. (mm) | Q'ty / reel |
|-----------------------|-----------------|-------|----------------------|-------------|
|                       | mm <sup>2</sup> | AWG#  |                      |             |
| <b>SXA-01T-P0.6</b>   | 0.22~0.5        | 24~20 | 1.5~1.9              | 8,000       |
| <b>SXA-001T-P0.6</b>  | 0.08~0.33       | 28~22 | 0.8~1.9              | 8,000       |
| <b>SXA-001T-P0.6L</b> | 0.13~0.33       | 26~22 | 1.3~1.7              | 8,000       |

### Material and Finish

Phosphor bronze, tin-plated (reflow treatment)

### RoHS compliance

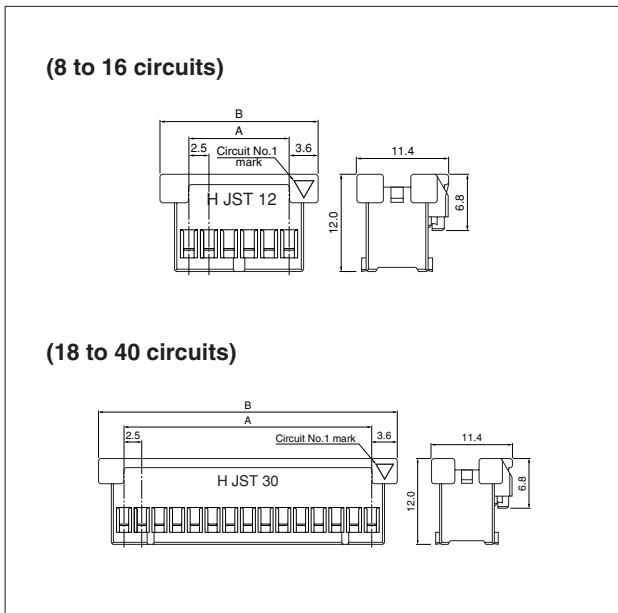
Note: 1. SXA-001T-P0.6L is low-insertion force type contact, for easier insertion/withdrawal, which would be less resistant to the vibration. The crimp height is different from the standard contact.  
2. Contact JST for gold-plated products.

| Contact               | Crimping machine | Applicator       |                 |                            |
|-----------------------|------------------|------------------|-----------------|----------------------------|
|                       |                  | Crimp applicator | Dies            | Crimp applicator with dies |
| <b>SXA-001T-P0.6</b>  | AP-K2N           | MKS-L            | MK/SXA/M-001-06 | APLMK SXA/M001-06          |
|                       |                  | *MKS-SC          | SC/SXA/M-001-06 | APLSC SXA/M001-06          |
| <b>SXA-001T-P0.6L</b> | AP-K2N           | MKS-L            | MK/SXA-001-06L  | APLMK SXA001-06L           |
|                       |                  | *MKS-SC          | SC/SXA-001-06L  | APLSC SXA001-06L           |

| Contact             | Crimping machine | Applicator       |                |                            |
|---------------------|------------------|------------------|----------------|----------------------------|
|                     |                  | Crimp applicator | Dies           | Crimp applicator with dies |
| <b>SXA-01T-P0.6</b> | AP-K2N           | MKS-L            | MK/SXA/M-01-06 | APLMK SXA/M01-06           |
|                     |                  | *MKS-SC          | SC/SXA/M-01-06 | APLSC SXA/M01-06           |

Note:\*Strip-crimp applicator

## Housing



| Circuits | Model No.        | Dimensions (mm) |      | Q'ty / bag |
|----------|------------------|-----------------|------|------------|
|          |                  | A               | B    |            |
| 8        | <b>XADRP-08V</b> | 7.5             | 14.7 | 1,000      |
| 10       | <b>XADRP-10V</b> | 10.0            | 17.2 | 1,000      |
| 12       | <b>XADRP-12V</b> | 12.5            | 19.7 | 1,000      |
| 14       | <b>XADRP-14V</b> | 15.0            | 22.2 | 1,000      |
| 16       | <b>XADRP-16V</b> | 17.5            | 24.7 | 1,000      |
| 18       | <b>XADRP-18V</b> | 20.0            | 27.2 | 1,000      |
| 20       | <b>XADRP-20V</b> | 22.5            | 29.7 | 500        |
| 22       | <b>XADRP-22V</b> | 25.0            | 32.2 | 500        |
| 24       | <b>XADRP-24V</b> | 27.5            | 34.7 | 500        |
| 26       | <b>XADRP-26V</b> | 30.0            | 37.2 | 500        |
| 28       | <b>XADRP-28V</b> | 32.5            | 39.7 | 500        |
| 30       | <b>XADRP-30V</b> | 35.0            | 42.2 | 500        |
| 32       | <b>XADRP-32V</b> | 37.5            | 44.7 | 500        |
| 34       | <b>XADRP-34V</b> | 40.0            | 47.2 | 500        |
| 36       | <b>XADRP-36V</b> | 42.5            | 49.7 | 250        |
| 40       | <b>XADRP-40V</b> | 47.5            | 54.7 | 250        |

### Material

PA 66, UL94V-0, natural (white)

### RoHS compliance

Note: Contact JST if retainers are required.

<For reference> As the color identification, the following alphabet shall be put in the underlined part. For availability, delivery and minimum order quantity, contact JST.

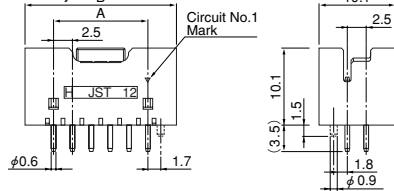
ex. **XADRP-08V-oo**  
(blank)...natural (white)  
K...black R...red E...blue O...orange M...green  
L...lemon yellow PK...pink

# XAD CONNECTOR

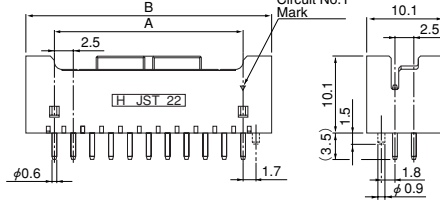
## Shrouded header

### Top entry type

(8 to 16 circuits)

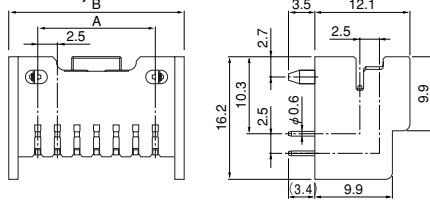


(18 to 40 circuits)

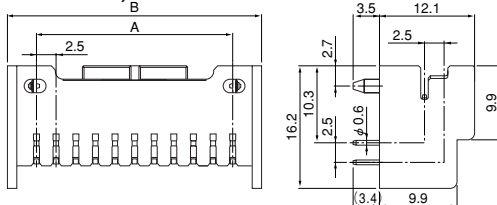


### Side entry type

(8 to 16 circuits)



(18 to 26 circuits)



| Circuits | Model No.      |                |                 | Dimensions (mm) |      | Q'ty / box     |                 |
|----------|----------------|----------------|-----------------|-----------------|------|----------------|-----------------|
|          | Top entry type |                | Side entry type | A               | B    | Top entry type | Side entry type |
|          | Without a boss | With a boss    |                 |                 |      |                |                 |
| 8        | B08B-XADSS-N   | B08B-XADSS-N-A | S08B-XADSS-N    | 7.5             | 15.0 | 200            | 270             |
| 10       | B10B-XADSS-N   | B10B-XADSS-N-A | S10B-XADSS-N    | 10.0            | 17.5 | 200            | 234             |
| 12       | B12B-XADSS-N   | B12B-XADSS-N-A | S12B-XADSS-N    | 12.5            | 20.0 | 200            | 198             |
| 14       | B14B-XADSS-N   | B14B-XADSS-N-A | S14B-XADSS-N    | 15.0            | 22.5 | 150            | 180             |
| 16       | B16B-XADSS-N   | B16B-XADSS-N-A | S16B-XADSS-N    | 17.5            | 25.0 | 150            | 162             |
| 18       | B18B-XADSS-N   | B18B-XADSS-N-A | S18B-XADSS-N    | 20.0            | 27.5 | 150            | 144             |
| 20       | B20B-XADSS-N   | B20B-XADSS-N-A | S20B-XADSS-N    | 22.5            | 30.0 | 100            | 126             |
| 22       | B22B-XADSS-N   | B22B-XADSS-N-A | —               | 25.0            | 32.5 | 100            | —               |
| 24       | B24B-XADSS-N   | B24B-XADSS-N-A | —               | 27.5            | 35.0 | 100            | —               |
| 26       | B26B-XADSS-N   | B26B-XADSS-N-A | S26B-XADSS-N    | 30.0            | 37.5 | 100            | 108             |
| 28       | B28B-XADSS-N   | B28B-XADSS-N-A | —               | 32.5            | 40.0 | 100            | —               |
| 30       | B30B-XADSS-N   | B30B-XADSS-N-A | —               | 35.0            | 42.5 | 50             | —               |
| 32       | B32B-XADSS-N   | B32B-XADSS-N-A | —               | 37.5            | 45.0 | 50             | —               |
| 34       | B34B-XADSS-N   | B34B-XADSS-N-A | —               | 40.0            | 47.5 | 50             | —               |
| 36       | B36B-XADSS-N   | B36B-XADSS-N-A | —               | 42.5            | 50.0 | 50             | —               |
| 40       | B40B-XADSS-N   | B40B-XADSS-N-A | —               | 47.5            | 55.0 | 50             | —               |

#### Material and Finish

Pin: Copper alloy, copper-undercoated, tin-plated (reflow treatment)  
Wafer: Glass-filled PA 66, UL94V-0, natural (white)

**RoHS compliance** This product displays (LF)(SN) on a label.  
Note: Contact JST for the headers with gold-plated pins.

<For reference> As the color identification, the following alphabet shall be put in the underlined part.  
For availability, delivery and minimum order quantity, contact JST.

ex. **B08B-XADSS-N**

S...natural (white)

K...black R...red E...blue O...orange M...green

L...lemon yellow PK...pink