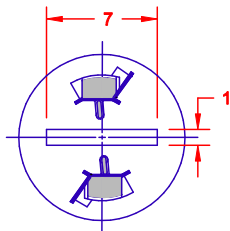
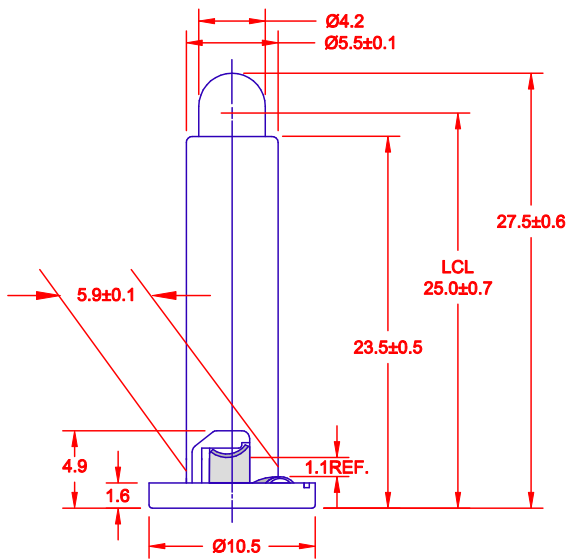
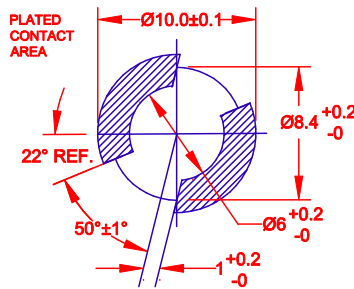
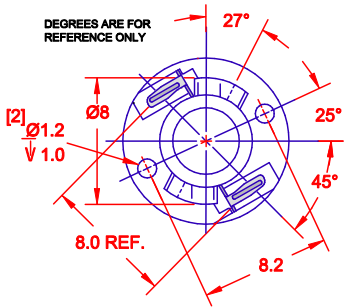


REV.	DESCRIPTION/ECO NO.	DATE
	RELEASED CONVERTED TO CAD	10/16/00
A	DIM. & LIFE CHNG, ADD PCB NOTE	10/23/01



**JKL PART NUMBER: DNW21-DW10/GRA/30MM**

LAMP NUMBER: DW10/8.5					
VOLTS RATED	AMPS ± 10%	*MSCP ± 25%	*LUMENS ± 25%	AVERAGE LIFE HRS.	FILAMENT TYPE
14.0	.100	.500	6.29	5,000 D.C.	C-2F

\*LAMP RATING ONLY WITHOUT BASE AND FILTER

BASE COLOR
GRAY

METRIC		DIMENSIONS ARE IN MILLIMETERS		JKL COMPONENTS CORPORATION			
THIRD ANGLE PROJECTION		TOLERANCE UNLESS OTHERWISE SPECIFIED		TITLE T-1 1/4 DOUBLE CONTACT NEO-WEDGE BASE WITH DW10/8.5 LAMP			
1 PL +/- 0.2		2 PL +/- 0.20		SIZE A	FSCM NO. 55335	DRAWING NO. DNW21-DW10/GRA/30MM	
ANGLE +/- 0				SCALE NONE	RELEASED DATE 10/16/00	REVISION DATE 10/23/01	REV. NO. A SHEET 1 OF 1
DRAWN BY L. WENGSTROM		APPROVED BY J.K. DATE 10/23/01		- CAD DRAWING -			
MANUAL REVISIONS NOT PERMITTED							