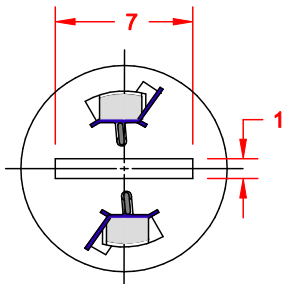
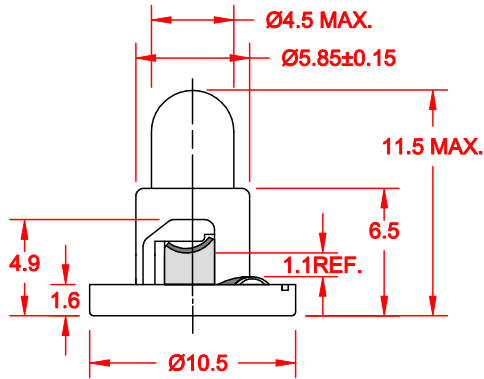


REV.	DESCRIPTION/ECO NO.	DATE
	RELEASED CONVERTED TO CAD	10/16/00

PC BOARD PUNCH PATTERN
(NO TREATMENT, SUCH AS APPLICATION OF FLUX, SHALL BE DONE.)



JKL PART NO.: DNW21-DW10/GRA/11.5MM

JKL LAMP NUMBER	VOLTS RATED	AMPS ±10%	*MSCP ±25%	*LUMENS ±25%	AVERAGE LIFE HRS.	FILAMENT TYPE
DW10	14.0	.100	.500	6.29	10,000	C-2F

BASE COLOR
GRAY

*LAMP RATING ONLY WITHOUT BASE

	DIMENSIONS ARE IN MILLIMETERS TOLERANCE UNLESS OTHERWISE SPECIFIED 1 PL +/- 0.2 2 PL +/- 0.20 ANGLE +/- 0	JKL COMPONENTS CORPORATION			
	TITLE T-1 1/4 DOUBLE CONTACT NEO-WEDGE BASE				
DRAWN BY L. WENGSTROM	APP'D BY LW	DATE 10/16/00	SIZE A	FSCM NO. 55335	DRAWING NO. DNW21-DW10/GRA/11.5MM
- CAD DRAWING - MANUAL REVISIONS NOT PERMITTED			SCALE NONE	RELEASED DATE 10/16/00	REVISION DATE
				REV. NO. 	SHEET 1 of 1