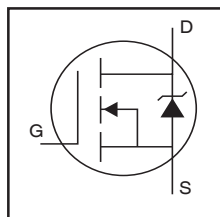


# AUIRF1404

## Features

- Advanced Planar Technology
- Low On-Resistance
- Dynamic dv/dt Rating
- 175°C Operating Temperature
- Fast Switching
- Fully Avalanche Rated
- Repetitive Avalanche Allowed up to Tjmax
- Lead-Free, RoHS Compliant
- Automotive Qualified\*

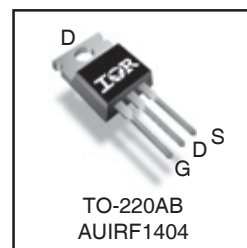


## HEXFET® Power MOSFET

|                          |               |
|--------------------------|---------------|
| $V_{(BR)DSS}$            | <b>40V</b>    |
| $R_{DS(on)}$ <b>typ.</b> | <b>3.5mΩ</b>  |
| <b>max</b>               | <b>4.0mΩ</b>  |
| $I_D$ (Silicon Limited)  | <b>202A</b> ⑥ |
| $I_D$ (Package Limited)  | <b>160A</b>   |

## Description

Specifically designed for Automotive applications, this Stripe Planar design of HEXFET® Power MOSFETs utilizes the latest processing techniques to achieve low on-resistance per silicon area. This benefit combined with the fast switching speed and ruggedized device design that HEXFET power MOSFETs are well known for, provides the designer with an extremely efficient and reliable device for use in Automotive and a wide variety of other applications.



|          |          |          |
|----------|----------|----------|
| <b>G</b> | <b>D</b> | <b>S</b> |
| Gate     | Drain    | Source   |

## Absolute Maximum Ratings

Stresses beyond those listed under "Absolute Maximum Ratings" may cause permanent damage to the device. These are stress ratings only; and functional operation of the device at these or any other condition beyond those indicated in the specifications is not implied. Exposure to absolute-maximum-rated conditions for extended periods may affect device reliability. The thermal resistance and power dissipation ratings are measured under board mounted and still air conditions. Ambient temperature (T<sub>A</sub>) is 25°C, unless otherwise specified.

|                                 | Parameter   | Max.                      | Units |
|---------------------------------|---|---------------------------|-------|
| $I_D @ T_C = 25^\circ\text{C}$  | Continuous Drain Current, $V_{GS} @ 10\text{V}$ (Silicon Limited) | 202⑥                      | A     |
| $I_D @ T_C = 100^\circ\text{C}$ | Continuous Drain Current, $V_{GS} @ 10\text{V}$ (Silicon Limited) | 143                       |       |
| $I_D @ T_C = 25^\circ\text{C}$  | Continuous Drain Current, $V_{GS} @ 10\text{V}$ (Package Limited) | 160                       |       |
| $I_{DM}$                        | Pulsed Drain Current ①  | 808                       |       |
| $P_D @ T_C = 25^\circ\text{C}$  | Power Dissipation   | 333                       | W     |
|                                 | Linear Derating Factor  | 2.2                       | W/°C  |
| $V_{GS}$                        | Gate-to-Source Voltage  | ± 20                      | V     |
| $E_{AS}$                        | Single Pulse Avalanche Energy (Thermally Limited)②                | 620                       | mJ    |
| $I_{AR}$                        | Avalanche Current ①   | See Fig. 12a, 12b, 15, 16 | A     |
| $E_{AR}$                        | Repetitive Avalanche Energy ①                                     |                           | mJ    |
| dv/dt                           | Peak Diode Recovery dv/dt ③                                       | 1.5                       | V/ns  |
| $T_J$                           | Operating Junction and  | -55 to + 175              | °C    |
| $T_{STG}$                       | Storage Temperature Range   |                           |       |
|                                 | Soldering Temperature, for 10 seconds (1.6mm from case)           | 300                       |       |
|                                 | Mounting Torque, 6-32 or M3 screw                                 | 10 lbf•in (1.1N•m)        |       |

## Thermal Resistance

|                 | Parameter                           | Typ. | Max. | Units |
|-----------------|-------------------------------------|------|------|-------|
| $R_{\theta JC}$ | Junction-to-Case ②                  | —    | 0.45 | °C/W  |
| $R_{\theta CS}$ | Case-to-Sink, Flat, Greased Surface | 0.50 | —    |       |
| $R_{\theta JA}$ | Junction-to-Ambient                 | —    | 62   |       |

HEXFET® is a registered trademark of International Rectifier.

\*Qualification standards can be found at <http://www.irf.com/>

### Static Electrical Characteristics @ $T_J = 25^\circ\text{C}$ (unless otherwise specified)

|                                 | Parameter                            | Min. | Typ.  | Max. | Units      | Conditions   |
|---------------------------------|--------------------------------------|------|-------|------|------------|--|
| $V_{(BR)DSS}$                   | Drain-to-Source Breakdown Voltage    | 40   | —     | —    | V          | $V_{GS} = 0V, I_D = 250\mu A$                        |
| $\Delta V_{(BR)DSS}/\Delta T_J$ | Breakdown Voltage Temp. Coefficient  | —    | 0.039 | —    | V/°C       | Reference to $25^\circ\text{C}, I_D = 1mA$           |
| $R_{DS(on)}$                    | Static Drain-to-Source On-Resistance | —    | 3.5   | 4.0  | m $\Omega$ | $V_{GS} = 10V, I_D = 121A$ ④                         |
| $V_{GS(th)}$                    | Gate Threshold Voltage               | 2.0  | —     | 4.0  | V          | $V_{DS} = V_{GS}, I_D = 250\mu A$                    |
| gfs                             | Forward Transconductance             | 76   | —     | —    | S          | $V_{DS} = 25V, I_D = 121A$                           |
| $I_{DSS}$                       | Drain-to-Source Leakage Current      | —    | —     | 20   | $\mu A$    | $V_{DS} = 400V, V_{GS} = 0V$                         |
|                                 |                                      | —    | —     | 250  |            | $V_{DS} = 32V, V_{GS} = 0V, T_J = 150^\circ\text{C}$ |
| $I_{GSS}$                       | Gate-to-Source Forward Leakage       | —    | —     | 100  | nA         | $V_{GS} = 20V$                                       |
|                                 | Gate-to-Source Reverse Leakage       | —    | —     | -100 |            | $V_{GS} = -20V$                                      |

### Dynamic Electrical Characteristics @ $T_J = 25^\circ\text{C}$ (unless otherwise specified)

|                 | Parameter                       | Min. | Typ. | Max. | Units | Conditions  |
|-----------------|---------------------------------|------|------|------|-------|---|
| $Q_g$           | Total Gate Charge               | —    | 131  | 196  |       | $I_D = 121A$  |
| $Q_{gs}$        | Gate-to-Source Charge           | —    | 36   | —    | nC    | $V_{DS} = 32V$  |
| $Q_{gd}$        | Gate-to-Drain ("Miller") Charge | —    | 37   | 56   |       | $V_{GS} = 10V$ ④  |
| $t_{d(on)}$     | Turn-On Delay Time              | —    | 17   | —    |       | $V_{DD} = 20V$  |
| $t_r$           | Rise Time                       | —    | 190  | —    |       | $I_D = 121A$  |
| $t_{d(off)}$    | Turn-Off Delay Time             | —    | 46   | —    | ns    | $R_G = 2.5\ \Omega$   |
| $t_f$           | Fall Time                       | —    | 33   | —    |       | $R_D = 0.2\ \Omega$   |
| $L_D$           | Internal Drain Inductance       | —    | 4.5  | —    | nH    | Between lead,<br>6mm (0.25in.)<br>from package<br>and center of die contact |
| $L_S$           | Internal Source Inductance      | —    | 7.5  | —    |       |   |
| $C_{iss}$       | Input Capacitance               | —    | 5669 | —    |       | $V_{GS} = 0V$   |
| $C_{oss}$       | Output Capacitance              | —    | 1659 | —    | pF    | $V_{DS} = 25V$  |
| $C_{riss}$      | Reverse Transfer Capacitance    | —    | 223  | —    |       | $f = 1.0MHz$ , See Fig. 5   |
| $C_{oss}$       | Output Capacitance              | —    | 6205 | —    |       | $V_{GS} = 0V, V_{DS} = 1.0V, f = 1.0MHz$                                    |
| $C_{oss}$       | Output Capacitance              | —    | 1467 | —    |       | $V_{GS} = 0V, V_{DS} = 32V, f = 1.0MHz$                                     |
| $C_{oss\ eff.}$ | Effective Output Capacitance ⑤  | —    | 2249 | —    |       | $V_{GS} = 0V, V_{DS} = 0V$ to $32V$   |

### Diode Characteristics

|          | Parameter                                 | Min.  | Typ. | Max. | Units | Conditions  |
|----------|---|---|------|------|-------|---|
| $I_S$    | Continuous Source Current<br>(Body Diode) | —   | —    | 202⑥ | A     | MOSFET symbol<br>showing the<br>integral reverse<br>p-n junction diode. |
| $I_{SM}$ | Pulsed Source Current<br>(Body Diode) ①   | —   | —    | 808  |       |   |
| $V_{SD}$ | Diode Forward Voltage                     | —   | —    | 1.5  | V     | $T_J = 25^\circ\text{C}, I_S = 121A, V_{GS} = 0V$ ④                     |
| $t_{rr}$ | Reverse Recovery Time                     | —   | 78   | 117  | ns    | $T_J = 25^\circ\text{C}, I_F = 121A$                                    |
| $Q_{rr}$ | Reverse Recovery Charge                   | —   | 163  | 245  | nC    | $di/dt = 100A/\mu s$ ④  |
| $t_{on}$ | Forward Turn-On Time                      | Intrinsic turn-on time is negligible (turn-on is dominated by $L_S+L_D$ ) |      |      |       |   |

#### Notes:

- ① Repetitive rating; pulse width limited by max. junction temperature. (See fig. 11)
- ② Starting  $T_J = 25^\circ\text{C}$ ,  $L = 85\mu H$   
 $R_G = 25\ \Omega, I_{AS} = 121A$ . (See Figure 12)
- ③  $I_{SD} \leq 121A, di/dt \leq 130A/\mu s, V_{DD} \leq V_{(BR)DSS}, T_J \leq 175^\circ\text{C}$ .
- ④ Pulse width  $\leq 400\mu s$ ; duty cycle  $\leq 2\%$ .
- ⑤  $C_{oss\ eff.}$  is a fixed capacitance that gives the same charging time as  $C_{oss}$  while  $V_{DS}$  is rising from 0 to 80%  $V_{DSS}$ .
- ⑥ Calculated continuous current based on maximum allowable junction temperature. Package limitation current is 160A.
- ⑦  $R_\theta$  is measured at  $T_J$  of approximately  $90^\circ\text{C}$ .

## Qualification Information†

|                                   |                      |   |     |
|-----------------------------------|----------------------|---|-----|
| <b>Qualification Level</b>        |                      | Automotive<br>(per AEC-Q101) ††   |     |
|                                   |                      | Comments: This part number(s) passed Automotive qualification. IR's Industrial and Consumer qualification level is granted by extension of the higher Automotive level. |     |
| <b>Moisture Sensitivity Level</b> |                      | TO-220  | N/A |
| <b>ESD</b>                        | Machine Model        | Class M4 (+/- 425V) †††<br>AEC-Q101-002   |     |
|                                   | Human Body Model     | Class H2 (+/- 4000V) †††<br>AEC-Q101-001  |     |
|                                   | Charged Device Model | Class C5 (+/- 1125V) †††<br>AEC-Q101-005  |     |
| <b>RoHS Compliant</b>             |                      | Yes   |     |

† Qualification standards can be found at International Rectifier's web site: <http://www.irf.com/>

†† Exceptions to AEC-Q101 requirements are noted in the qualification report.

††† Highest passing voltage.

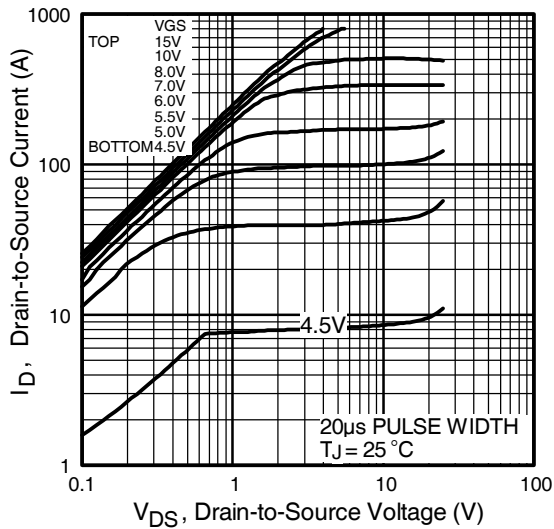


Fig 1. Typical Output Characteristics

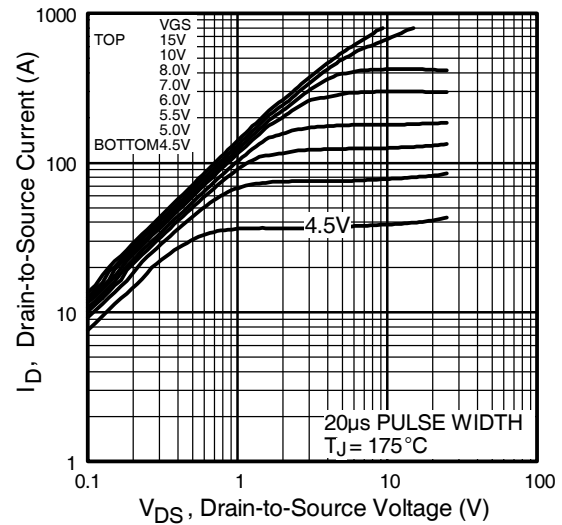


Fig 2. Typical Output Characteristics

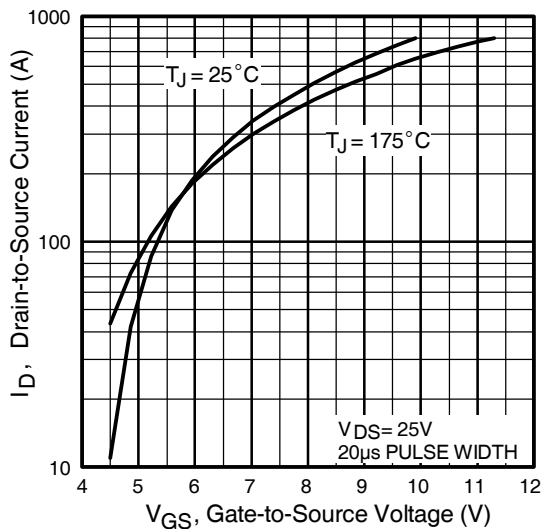


Fig 3. Typical Transfer Characteristics

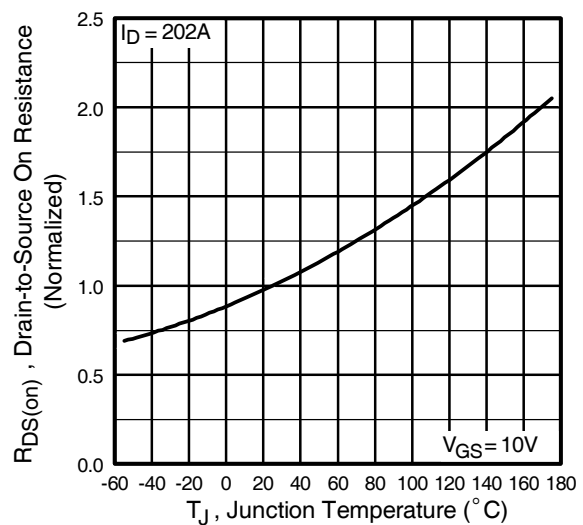
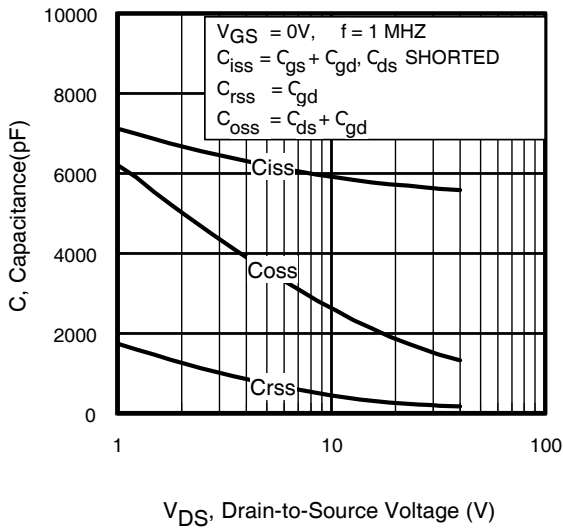
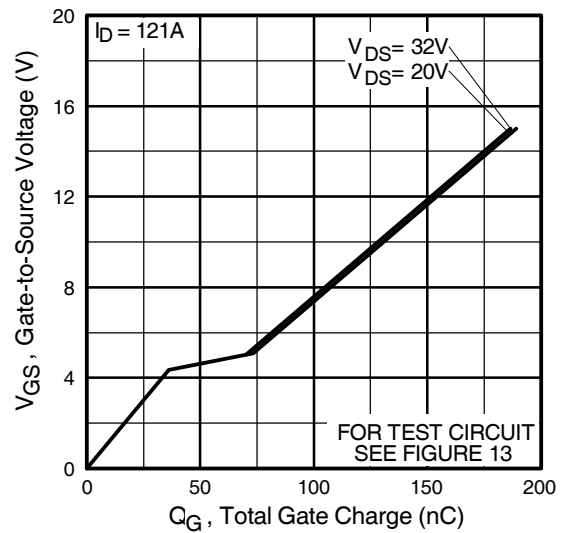


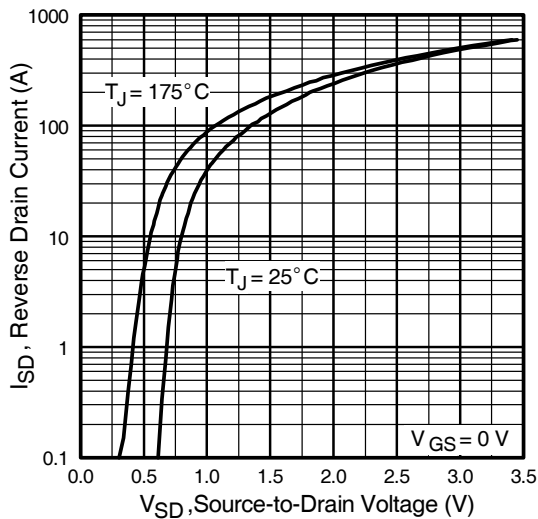
Fig 4. Normalized On-Resistance Vs. Temperature



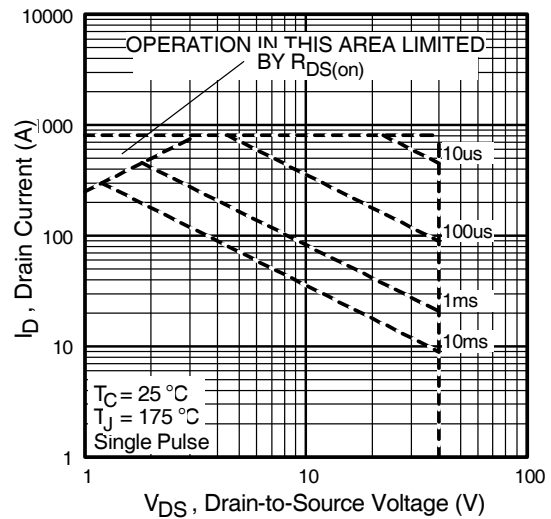
**Fig 5.** Typical Capacitance Vs. Drain-to-Source Voltage



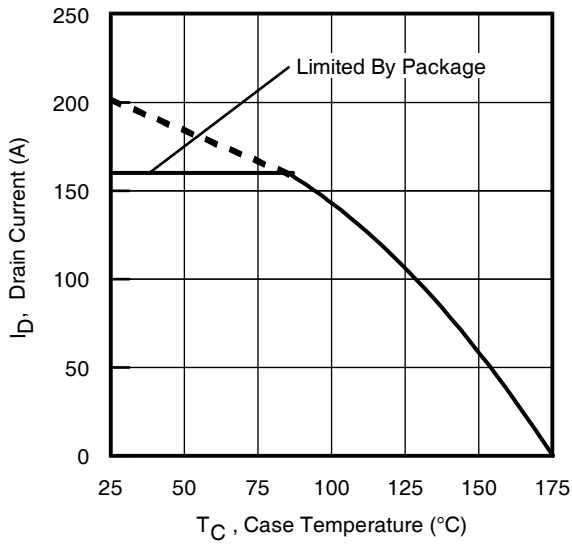
**Fig 6.** Typical Gate Charge Vs. Gate-to-Source Voltage



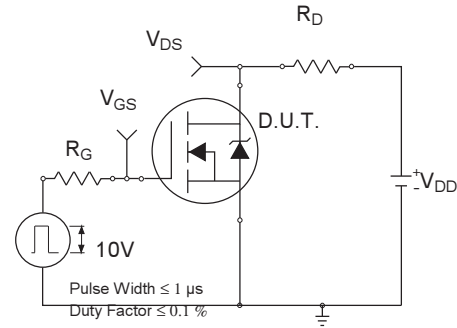
**Fig 7.** Typical Source-Drain Diode Forward Voltage



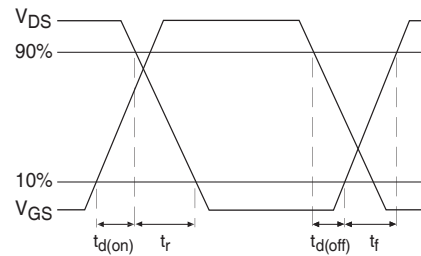
**Fig 8.** Maximum Safe Operating Area



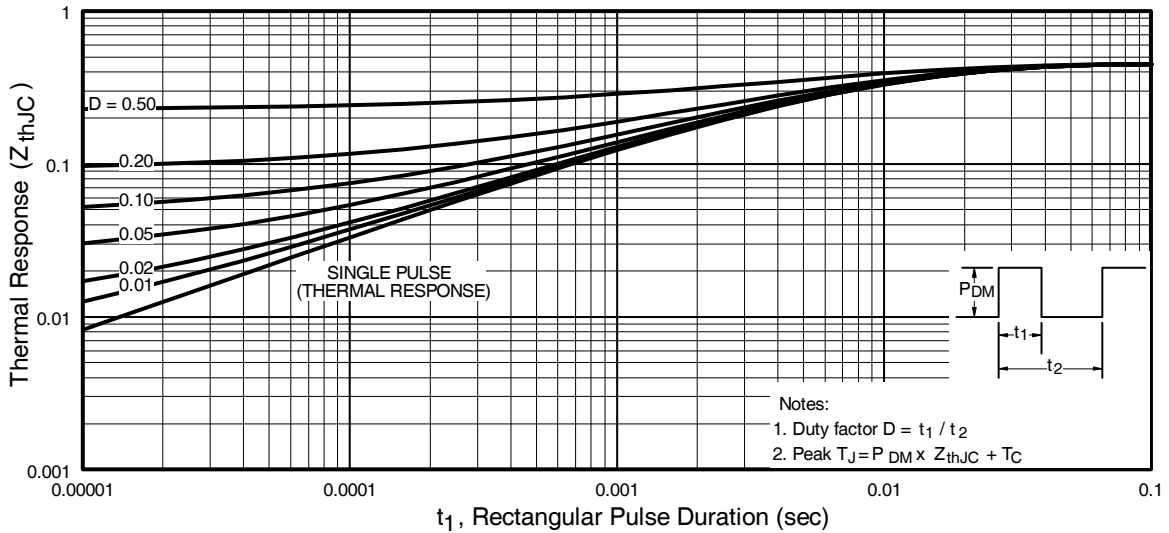
**Fig 9.** Maximum Drain Current Vs. Case Temperature



**Fig 10a.** Switching Time Test Circuit



**Fig 10b.** Switching Time Waveforms



**Fig 11.** Maximum Effective Transient Thermal Impedance, Junction-to-Case

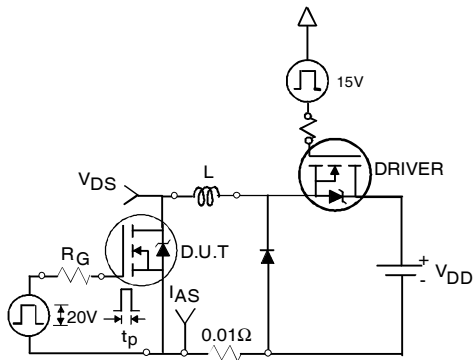


Fig 12a. Unclamped Inductive Test Circuit

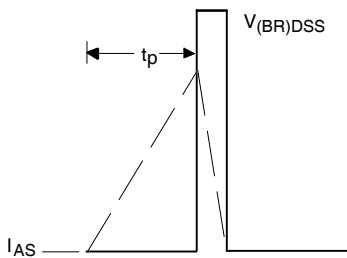


Fig 12b. Unclamped Inductive Waveforms

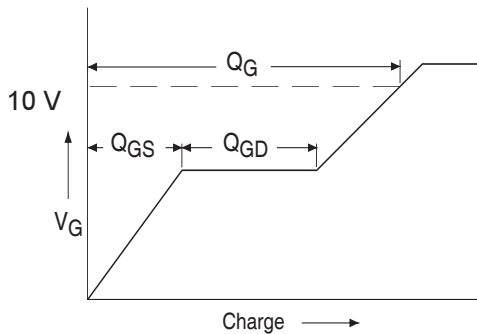


Fig 13a. Basic Gate Charge Waveform

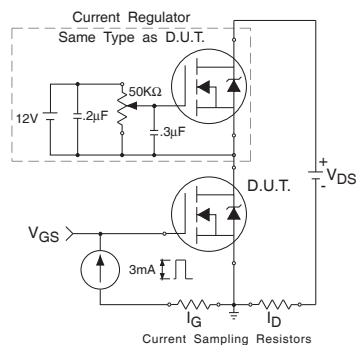


Fig 13b. Gate Charge Test Circuit

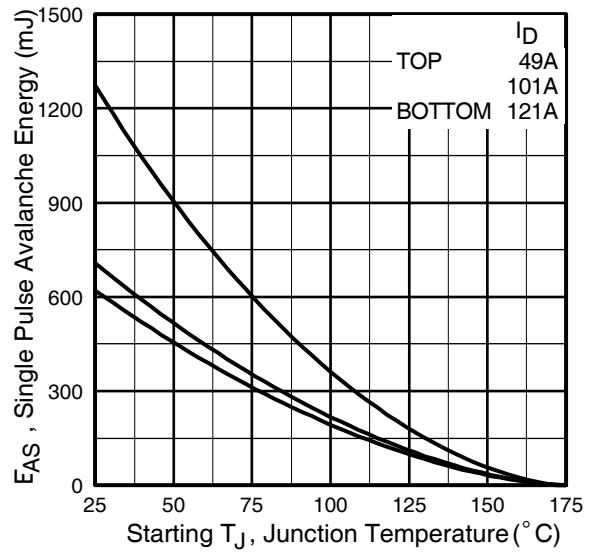


Fig 12c. Maximum Avalanche Energy Vs. Drain Current

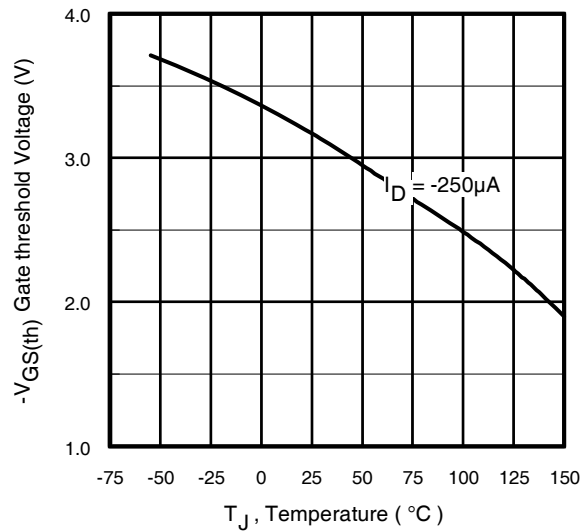
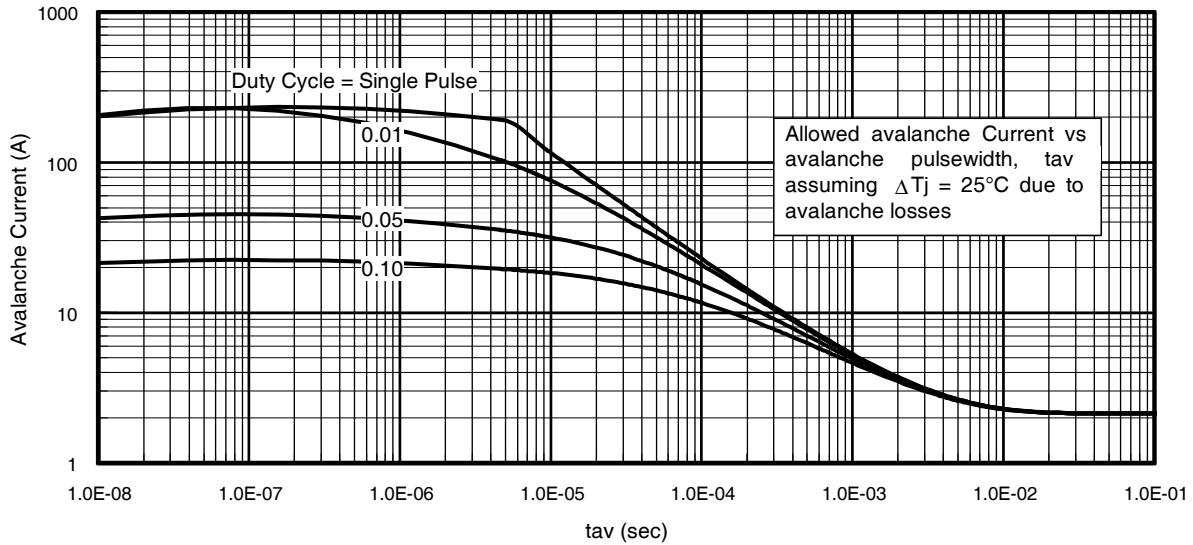
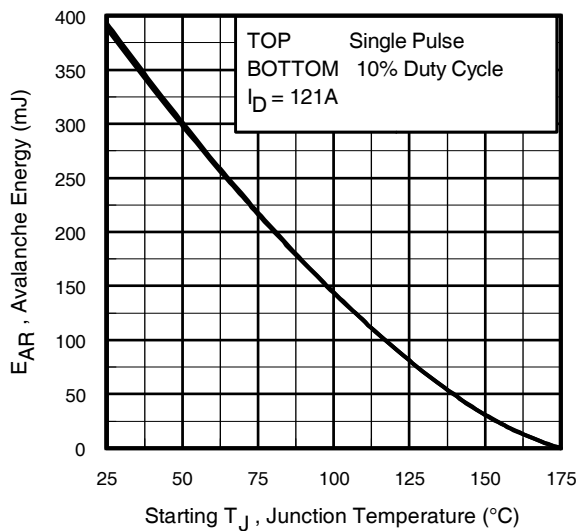


Fig 14. Threshold Voltage Vs. Temperature



**Fig 15.** Typical Avalanche Current Vs.Pulsewidth



**Fig 16.** Maximum Avalanche Energy Vs. Temperature

**Notes on Repetitive Avalanche Curves , Figures 15, 16:**  
(For further info, see AN-1005 at [www.irf.com](http://www.irf.com))

1. Avalanche failures assumption:  
Purely a thermal phenomenon and failure occurs at a temperature far in excess of  $T_{jmax}$ . This is validated for every part type.
2. Safe operation in Avalanche is allowed as long as  $T_{jmax}$  is not exceeded.
3. Equation below based on circuit and waveforms shown in Figures 12a, 12b.
4.  $P_{D(ave)}$  = Average power dissipation per single avalanche pulse.
5. BV = Rated breakdown voltage (1.3 factor accounts for voltage increase during avalanche).
6.  $I_{av}$  = Allowable avalanche current.
7.  $\Delta T$  = Allowable rise in junction temperature, not to exceed  $T_{jmax}$  (assumed as 25°C in Figure 15, 16).  
 $t_{av}$  = Average time in avalanche.  
 $D$  = Duty cycle in avalanche =  $t_{av} \cdot f$   
 $Z_{thJC}(D, t_{av})$  = Transient thermal resistance, see figure 11)

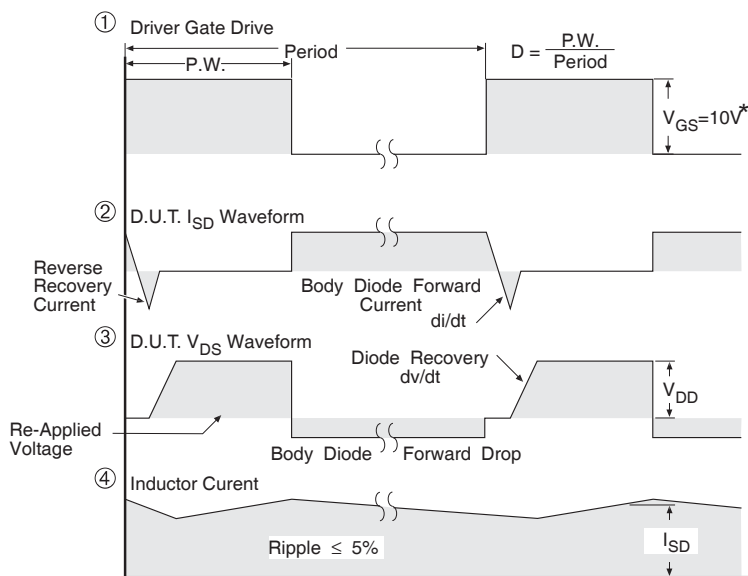
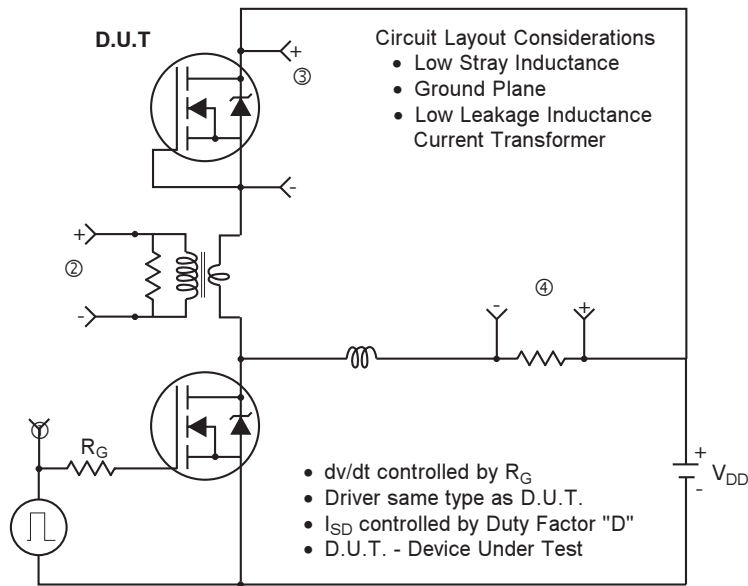
$$P_{D(ave)} = \frac{1}{2} ( 1.3 \cdot BV \cdot I_{av} ) = \frac{\Delta T}{Z_{thJC}}$$

$$I_{av} = \frac{2\Delta T}{[1.3 \cdot BV \cdot Z_{th}]}$$

$$E_{AS(AR)} = P_{D(ave)} \cdot t_{av}$$



### Peak Diode Recovery dv/dt Test Circuit

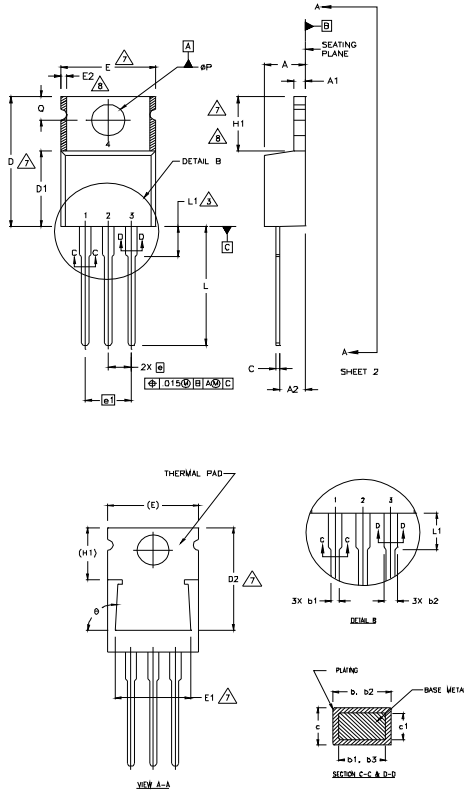


\*  $V_{GS} = 5V$  for Logic Level Devices

**Fig 17.** For N-channel HEXFET® Power MOSFETs

## TO-220AB Package Outline

Dimensions are shown in millimeters (inches)



**NOTES:**

- 1 DIMENSIONING AND TOLERANCING PER ASME Y14.5 M- 1994.
- 2 DIMENSIONS ARE SHOWN IN INCHES [MILLIMETERS].
- 3 LEAD DIMENSION AND FINISH UNCONTROLLED IN L1.
- 4 DIMENSION D & E DO NOT INCLUDE MOLD FLASH. MOLD FLASH SHALL NOT EXCEED .005" (0.127) PER SIDE. THESE DIMENSIONS ARE MEASURED AT THE OUTERMOST EXTREMES OF THE PLASTIC BODY.
- 5 DIMENSION b1 & c1 APPLY TO BASE METAL ONLY.
- 6 CONTROLLING DIMENSION : INCHES.
- 7 THERMAL PAD CONTOUR OPTIONAL WITHIN DIMENSIONS E,H1,D2 & E1
- 8 DIMENSION E2 X H1 DEFINE A ZONE WHERE STAMPING AND SINGULATION IRREGULARITIES ARE ALLOWED.

**LEAD ASSIGNMENTS**

**HEXFET**

- 1.- GATE
- 2.- DRAIN
- 3.- SOURCE

**IGBTs - CoPACK**

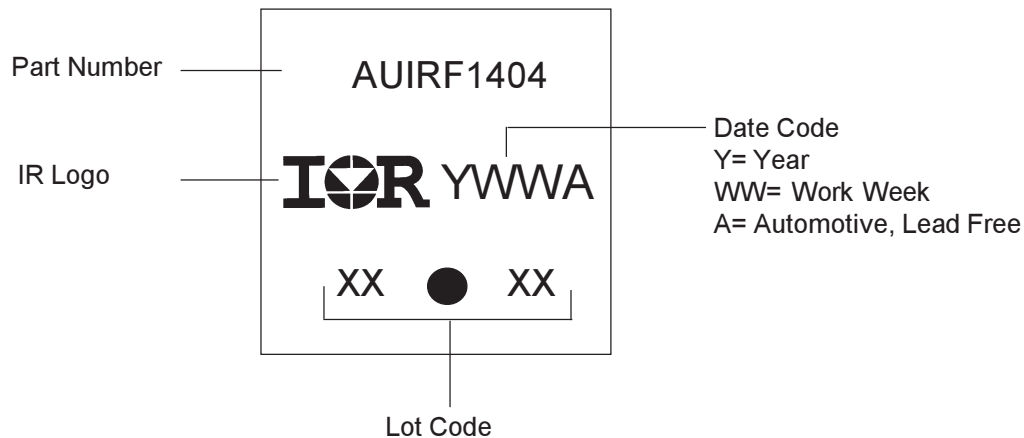
- 1.- GATE
- 2.- COLLECTOR
- 3.- EMITTER

**DIODES**

- 1.- ANODE/OPEN
- 2.- CATHODE
- 3.- ANODE

| SYMBOL | DIMENSIONS  |       |           |      | NOTES |
|--------|-------------|-------|-----------|------|-------|
|        | MILLIMETERS |       | INCHES    |      |       |
|        | MIN.        | MAX.  | MIN.      | MAX. |       |
| A      | 3.56        | 4.82  | .140      | .190 | 5     |
| A1     | 0.51        | 1.40  | .020      | .055 |       |
| A2     | 2.04        | 2.92  | .080      | .115 |       |
| b      | 0.38        | 1.01  | .015      | .040 | 5     |
| b1     | 0.38        | 0.96  | .015      | .038 |       |
| b2     | 1.15        | 1.77  | .045      | .070 |       |
| b3     | 1.15        | 1.73  | .045      | .068 | 5     |
| c      | 0.36        | 0.61  | .014      | .024 |       |
| c1     | 0.36        | 0.56  | .014      | .022 |       |
| D      | 14.22       | 16.51 | .560      | .650 | 4     |
| D1     | 8.38        | 9.02  | .330      | .355 | 7     |
| D2     | 12.19       | 12.88 | .480      | .507 |       |
| E      | 9.66        | 10.66 | .380      | .420 |       |
| E1     | 8.38        | 8.89  | .330      | .350 | 7     |
| e      | 2.54 BSC    |       | .100 BSC  |      | 7,8   |
| e1     | 5.08        |       | .200 BSC  |      |       |
| H1     | 5.85        | 6.55  | .230      | .270 |       |
| L      | 12.70       | 14.73 | .500      | .580 | 3     |
| L1     | -           | 6.35  | -         | .250 |       |
| øP     | 3.54        | 4.08  | .139      | .161 |       |
| Q      | 2.54        | 3.42  | .100      | .135 | 3     |
| ø      | 9.0°-9.3°   |       | 9.0°-9.3° |      |       |

## TO-220AB Part Marking Information



Note: For the most current drawing please refer to IR website at <http://www.irf.com/package/>

## Ordering Information

| Base part number | Package Type | Standard Pack |          | Complete Part Number |
|------------------|--------------|---------------|----------|----------------------|
|                  |              | Form          | Quantity |                      |
| AUIRF1404        | TO-220       | Tube          | 50       | AUIRF1404            |

**IMPORTANT NOTICE**

Unless specifically designated for the automotive market, International Rectifier Corporation and its subsidiaries (IR) reserve the right to make corrections, modifications, enhancements, improvements, and other changes to its products and services at any time and to discontinue any product or services without notice. Part numbers designated with the "AU" prefix follow automotive industry and / or customer specific requirements with regards to product discontinuance and process change notification. All products are sold subject to IR's terms and conditions of sale supplied at the time of order acknowledgment.

IR warrants performance of its hardware products to the specifications applicable at the time of sale in accordance with IR's standard warranty. Testing and other quality control techniques are used to the extent IR deems necessary to support this warranty. Except where mandated by government requirements, testing of all parameters of each product is not necessarily performed.

IR assumes no liability for applications assistance or customer product design. Customers are responsible for their products and applications using IR components. To minimize the risks with customer products and applications, customers should provide adequate design and operating safeguards.

Reproduction of IR information in IR data books or data sheets is permissible only if reproduction is without alteration and is accompanied by all associated warranties, conditions, limitations, and notices. Reproduction of this information with alterations is an unfair and deceptive business practice. IR is not responsible or liable for such altered documentation. Information of third parties may be subject to additional restrictions.

Resale of IR products or serviced with statements different from or beyond the parameters stated by IR for that product or service voids all express and any implied warranties for the associated IR product or service and is an unfair and deceptive business practice. IR is not responsible or liable for any such statements.

IR products are not designed, intended, or authorized for use as components in systems intended for surgical implant into the body, or in other applications intended to support or sustain life, or in any other application in which the failure of the IR product could create a situation where personal injury or death may occur. Should Buyer purchase or use IR products for any such unintended or unauthorized application, Buyer shall indemnify and hold International Rectifier and its officers, employees, subsidiaries, affiliates, and distributors harmless against all claims, costs, damages, and expenses, and reasonable attorney fees arising out of, directly or indirectly, any claim of personal injury or death associated with such unintended or unauthorized use, even if such claim alleges that IR was negligent regarding the design or manufacture of the product.

Only products certified as military grade by the Defense Logistics Agency (DLA) of the US Department of Defense, are designed and manufactured to meet DLA military specifications required by certain military, aerospace or other applications. Buyers acknowledge and agree that any use of IR products not certified by DLA as military-grade, in applications requiring military grade products, is solely at the Buyer's own risk and that they are solely responsible for compliance with all legal and regulatory requirements in connection with such use.

IR products are neither designed nor intended for use in automotive applications or environments unless the specific IR products are designated by IR as compliant with ISO/TS 16949 requirements and bear a part number including the designation "AU". Buyers acknowledge and agree that, if they use any non-designated products in automotive applications, IR will not be responsible for any failure to meet such requirements.

For technical support, please contact IR's Technical Assistance Center  
<http://www.irf.com/technical-info/>

**WORLD HEADQUARTERS:**

101 N. Sepulveda Blvd., El Segundo, California 90245  
Tel: (310) 252-7105