

TL122 Series Surface Mount Toroids

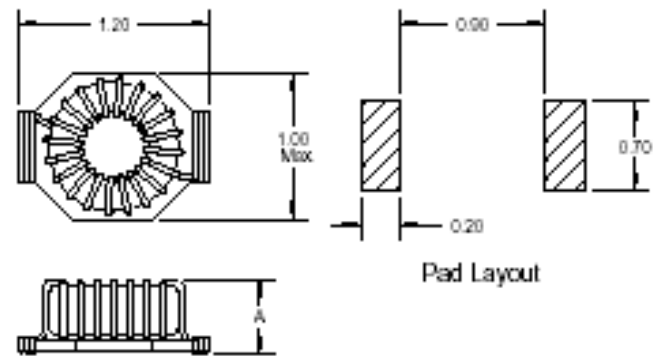


SPECIAL FEATURES

DC-DC converter, EMI filter applications.
 Low radiation.
 Low core loss.
 High current capacity.
 Ideal for reflow soldering.
 Low cost.
 Operating temperature -55° C to +105° C.

NOTES:

(1) * Current to cause 30°C maximum.



Part Number	Inductance uHy	DC Resistance (Ω) Max	Rated Current DC Amps Max	(A) Height Max
TL122-1R0M	1.0	0.002	25.4	0.82
TL122-1R2M	1.2	0.002	25.4	0.82
TL122-1R5M	1.5	0.003	22.0	0.82
TL122-1R8M	1.8	0.003	22.0	0.82
TL122-2R2M	2.2	0.003	19.7	0.82
TL122-2R7M	2.7	0.003	19.7	0.82
TL122-3R3M	3.3	0.004	18.0	0.82
TL122-3R9M	3.9	0.004	18.0	0.82
TL122-4R7M	4.7	0.005	16.6	0.82
TL122-5R6M	5.6	0.005	15.6	0.82
TL122-6R8M	6.8	0.006	14.7	0.82
TL122-8R2M	8.2	0.006	14.7	0.82
TL122-100K	10	0.007	13.9	0.82
TL122-120K	12	0.008	12.7	0.82
TL122-150K	15	0.009	12.2	0.82
TL122-180K	18	0.009	11.8	0.82
TL122-220K	22	0.011	11.0	0.82
TL122-270K	27	0.012	10.4	0.82
TL122-330K	33	0.013	10.1	0.82
TL122-390K	39	0.014	9.6	0.82
TL122-470K	47	0.019	8.2	0.79
TL122-560K	56	0.021	7.9	0.79
TL122-680K	68	0.029	6.7	0.77
TL122-820K	82	0.032	6.4	0.87
TL122-101K	100	0.035	6.1	0.87
TL122-121K	120	0.039	5.8	0.87
TL122-151K	150	0.043	5.5	0.87
TL122-181K	180	0.047	5.3	0.83
TL122-221K	220	0.052	5.0	0.83
TL122-271K	270	0.072	4.2	0.80
TL122-331K	330	0.100	3.6	0.78
TL122-391K	390	0.108	3.5	0.78
TL122-471K	470	0.119	3.3	0.85
TL122-561K	560	0.130	3.2	0.85
TL122-681K	680	0.142	3.0	0.85
TL122-821K	820	0.157	2.9	0.85
TL122-102K	1000	0.215	2.5	0.82