

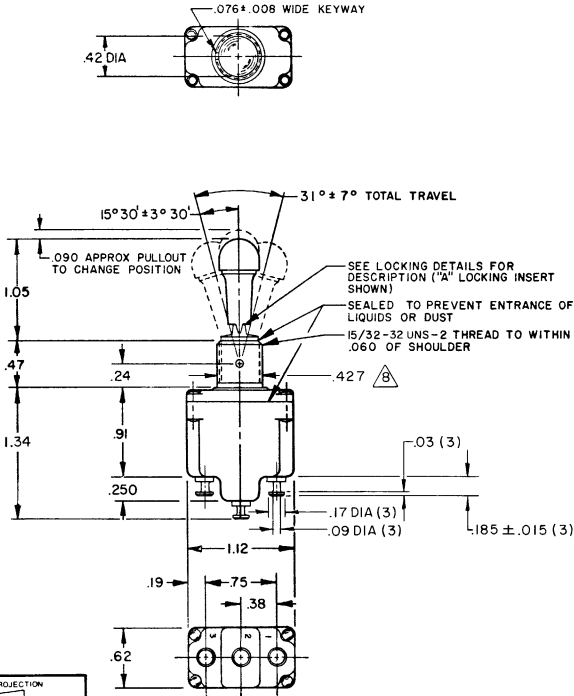
CATALOG LISTING  
**M11TL1 SERIES CHART 2**  
 PAGE 1 OF 1  
 ISSUE 15  
 CHECK RELEASE NO. PR-3660 REPLACES

**MICRO SWITCH**  
 FREEPORT, ILLINOIS, U.S.A.  
 A DIVISION OF HONEYWELL  
 FED. MFG. CODE 91929

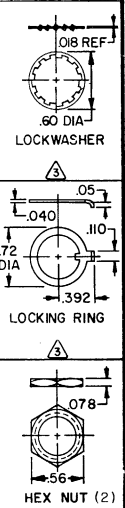
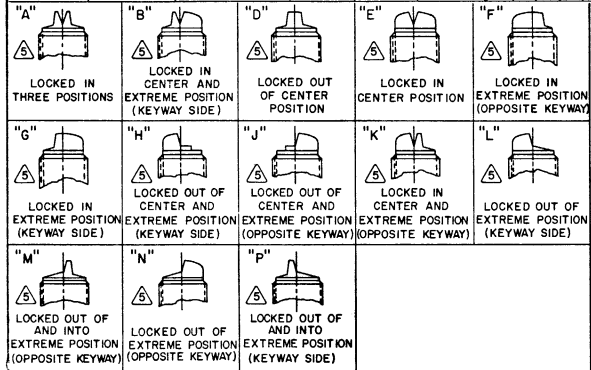
**SWITCH-TOGGLE**

CATALOG LISTING  
**11TL1 SERIES**  
**CHART 2**

THIS DRAWING COVERS A PROPRIETARY ITEM AND IS THE PROPERTY OF MICRO SWITCH, A DIVISION OF HONEYWELL. THIS DRAWING IS NOT TO BE COPIED OR USED WITHOUT THE APPROVAL OF MICRO SWITCH.



MS NUMBER	CATALOG LISTING	AVAILABLE LOCKING COMBINATIONS FOR CONFIGURATION SEE LETTERED DETAILS	CIRCUIT MADE WITH TOGGLE LEVER IN			MILITARY RATING (AMPS)												
			KEYWAY SIDE (1-2)	CENTER (1-2)	OPPOSITE KEYWAY (2-3)	RESISTIVE LOAD DC VOLTS	250	125	250	LAMP LOAD VDC	250	125	250	INDUCTIVE LOAD VDC	250	125	250	
27737-21	I1TL1-1	ABDEFHJKLMNP	ON	OFF	ON													
27737-22	I1TL1-2	D, F, G	OFF	NONE	ON													
27737-23	I1TL1-3	D, F, G	ON	NONE	ON	20	75	.5	15	6	5	3	15	10	(REFER TO L191 FOR UL RATING)			
27737-24	I1TL1-1	E, F, K, M	NONE	OFF	ON													
27737-33	I1TL1-31	E, F, K, M	NONE	ON	ON													
27737-29	I1TL1-4	F	MOM OFF	NONE	ON													
27737-31	I1TL1-5	E, F, K, L, M, N	MOM ON	OFF	ON													
27737-30	I1TL1-6	F	MOM ON	NONE	OFF													
27737-27	I1TL1-7	E, L, N	MOM ON	OFF	MOM ON	15	75	.5	15	6	4	2	10	7	(REFER TO L192 FOR UL RATING)			
27737-26	I1TL1-8	F	MOM ON	NONE	ON													
27737-32	I1TL1-51	E	NONE	ON	MOM ON													
27737-28	I1TL1-61	E	MOM ON	OFF	NONE													



**NOTES**  
 1 - SWITCHES ARE CAPABLE OF WITHSTANDING A TEMPERATURE OF 160°F CONTINUOUSLY AT FULL RATED LOAD  
 2 - CIRCUIT DESIGNATION, MICRO SWITCH CATALOG LISTING, DATE CODE, UL RATING AND MS NUMBER IDENTIFIED ON SIDE OF SWITCH FURNISHED UNASSEMBLED  
 3 - FOR TERMINAL COVER, SEE MICRO SWITCH CATALOG LISTING 5PA7  
 4 - KEYWAY SHOWN ON LEFT SIDE  
 5 - SUFFIX LETTER MUST BE ADDED FOR DESIRED TYPE OF TOGGLE LOCKING. SEE CHART FOR AVAILABLE LOCKING COMBINATIONS  
 6 - APPLIES ONLY TO "ON" AND "MOMENTARY ON" POSITIONS  
 7 - FROM BOTTOM OF KEYWAY TO MAJOR DIA OF 15/32 THREAD

REVISIONS			
NO.	DATE	DESCRIPTION	BY
A	CO 35107		
B	18 APR 75		
C	CO-37951		
D	CO-49070		
E	G R 7		
F	16 JUL 81		
G	CO-49070		
H	CO-49070		
I	CO-49070		
J	CO-49070		
K	CO-49070		
L	CO-49070		
M	CO-49070		
N	CO-49070		
O	CO-49070		
P	CO-49070		
Q	CO-49070		
R	CO-49070		
S	CO-49070		
T	CO-49070		
U	CO-49070		
V	CO-49070		
W	CO-49070		
X	CO-49070		
Y	CO-49070		
Z	CO-49070		

DESIGN UNITS	IN METRIC	US CUSTOMARY

DESIGN UNITS	IN METRIC	US CUSTOMARY
15A-125, 250 OR 277VAC		
1/2HP-125VAC; 1HP-250, 277VAC		
5A-125VAC "L" CODE L191		
10A-125, 250 OR 277VAC		
1/4HP-125VAC; 1/2HP-250, 277VAC		
3A-125VAC "L" CODE L192		

WEIGHT .11 LB MAX