

MICRO SWITCH

A DIVISION OF HONEYWELL-INTERNATIONAL INCORPORATED
 FEDERAL MANUFACTURING CODE 91929

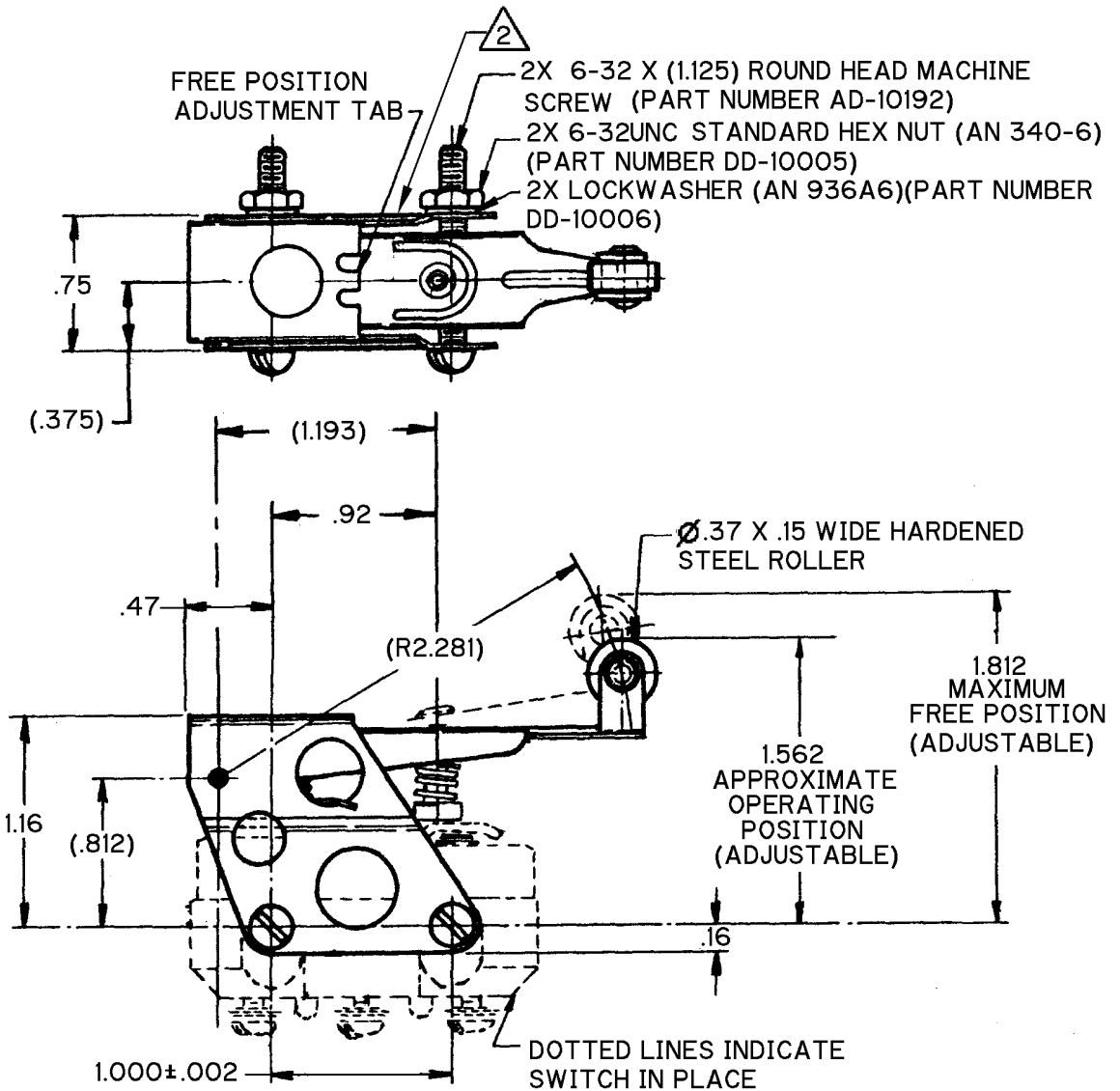
ACTUATOR-SWITCH

CATALOG LISTING
ADH3721R2

CA-E6000

DRAWING NUMBER
ADH3721R2
 PAGE 1 OF 1
 RELEASE NO.
M
 ISSUE
8

REVISIONS
 A CO 10598
 J. E. C.
 13 JAN 58
 B CO 21727
 M B F
 29 AUG 68
 C CO 44130
 J. E.
 24 APR 78
 D CO 67753
 J. A. P.
 4 JUN 90
 E CO 74082
 L. J. F.
 6 JAN 93
 F CO 79826
 D. L. Y.
 11 JAN 95
 G CO-95685
 J. J. A.
 8 FEB 00



- NOTES
 1 - SCREWS, NUTS AND LOCKWASHERS FURNISHED UNASSEMBLED
 2 MARKED ON THIS SIDE

ANSI Y14.5M-1982 APPLIES

THIS DRAWING COVERS A PROPRIETARY ITEM AND IS THE PROPERTY OF MICRO SWITCH, A DIVISION OF HONEYWELL. THIS DRAWING IS NOT TO BE COPIED OR USED WITHOUT THE APPROVAL OF MICRO SWITCH.

CHARACTERISTICS	ELECTRICAL DATA		SCALE FULL
	CONTACT ARRANGEMENT	BREAK DISTANCE	DO NOT SCALE PRINT
WITH IHS6 BASIC SWITCH INSTALLED OPERATING FORCE ----- 28 OZ. MAX.			UNLESS OTHERWISE SPECIFIED DIMENSIONS ARE IN INCHES TOLERANCES ARE:
RELEASE FORCE ----- 12 OZ. MIN.			
DIFFERENTIAL TRAVEL ----- .046 MAX.			ONE PLACE (.5) ±.030
OVERTRAVEL ----- .250 APPROX.			TWO PLACE (.00) ±.015
			THREE PLACE (.000) ±.005
			ANGLES ±
			WEIGHT

FORMTEK
 DRAWN
 J. E. C. 13 JAN 58
 CHECK GCH 20 JAN 58